

AVANT[®] **635**

AVANT[®] **640**

Varaosakirja

Parts Manual

Dellista

Ersatzteilliste



Serial numbers: XXXXXX2333 ->
Kubota V1505 Stage 3b

Table Of Contents

A461590	AVANT 640 SER3 26KW	6
A451133	FRONT FRAME ASSEMBLY 645I / 650I	8
A21226	TELESCOPIC BOOM, COMPLETE WITH ACCESSORI	10
A436620	INNER BOOM, ASSEMBLY	12
A436687	LINKAGE PIECE "BOOMERANG" CAST STEEL	14
A436576	ATTACHMENT COUPLING PLATE CAST STEEL	16
A436614	LOCKING PIN ASSEMBLY ATTACHM COUPL PLATE	18
65252	MULTI CONNECTOR, ON LOADER	20
A445632	BOOM SELF LEVELLING 600 SERIES	22
A449741	DIRECTIONAL VALVE ASSEMBLY BOOM FLOAT &	24
A450588	CONTROL VALVE ASSEMBLY HDS16	26
A429030	CONTROL VALVE HDS16	28
A452569	CONTROL LEVERS ASSEMBLY CONTROL VALVE	30
A436748	CONTROL LEVER AUX. HYDR. FRONT ASSEMBLY	32
A452574	STEERING COLUMN ASSEMBLY	34
A452815	HYDRAULIC HOSES ORBITROL 600-700 SERIES	36
A49058	DRIVE PEDAL, COMPLETE ASSEMBLY	38
	*A49058 in ROPS (different in cabin GT)	
A422190	HYDR. HOSES DRIVE PEDAL 700 SERIES	40
A446008	HYDRAULIC OIL COOLER ASSEMBLY 500-700	42
A449648	HYDRAULIC MANIFOLD ASSEMBLY	44
A461591	REAR FRAME ASSEMBLY 635, 640 SER3	46
A461493	REAR FRAME ASSEMBLY 500-600 SER3	48
A461337	SIDE PLATES ASSEMBLY REAR FRAME	50
A461333	MIDDLE FRAME ASSEMBLY 528-650I	52
A461332	REAR FRAME FRONT PART ASSEMBLY 400-650I	54
A37449	ARTICULATION JOINT ASSEMBL REAR FRAME	56
A461316	REAR WEIGHT (BUMPER) 160KG ASSEMBLY	58
A36909	REAR WEIGHT (BUMPER) 160 KG, ASSEMBLY	60
A461339	BOTTOM PLATE ASSEMBLY	62
A460850	ENGINE V1505 STAGE 3B AVANT 635 / 640	64
A460826	ENGINE MOUNTS ASSEMBLY D1105/V1505	66
A461421	RADIATOR HOSES ASSEMBLY	68
A458167	HYDRAULIC PUMPS ASSEMBLY 635I 640I	70
A449801	VARIABLE DISPL. PUMP 26CC+9CC 370 BAR	72
A460887	MOUNTING FRAME AIR FILTER SER3 ASSEMBLY	74
A460889	RADIATOR ASSEMBLY	76
A461143	WIND TUNNEL NO. 2 ASSEMBLY	78
A450773	HYDRAULIC MANIFOLD WITH HOSES	80
A445726	FUEL TANK ASSEMBLY 645I/650I	82
A455396	FUEL FILTERS ASSEMBLY D1105 V1505	84

2.2.2024

<u>A461593</u>	<u>AIR FILTER ASSEMBLY 635-640 SER3</u>		<u>86</u>
<u>A461592</u>	<u>EXHAUST MUFFLER + PIPE ASSEMBLY 635/640</u>		<u>88</u>
<u>A452130</u>	<u>ROPS CAB ASSEMBLY 500-700 SERIES</u>		<u>90</u>
<u>A452129</u>	<u>ROPS CAB 500-700 SERIES</u>		<u>92</u>
<u>A49119</u>	<u>ROPS FRAME WITH FOPS CANOPY, 600/700 SER</u>		<u>94</u>
<u>A439987</u>	<u>INSTRUMENT PANEL WITH DECAL 700 / 800</u>		<u>96</u>
<u>A435860</u>	<u>DASHBOARD ASSEMBLY 700-800 ROPS</u>		<u>98</u>
<u>A451125</u>	<u>COVER PLATES, KIT, ABS 500-600 SERIES</u>		<u>100</u>
<u>A446265</u>	<u>COVER PLATES FRONT FRAME ABS 500-700</u>	<u>*ABS</u>	<u>102</u>
<u>A447754</u>	<u>COVER PLATES FRONT FRAME POLYCARBONATE</u>	<u>*PC/HD (optional extra)</u>	<u>104</u>
<u>A450770</u>	<u>WORK LIGHTS LED ON FRONT COVERS ASSEMBLY</u>		<u>106</u>
<u>A446429</u>	<u>COVER PLATES REAR FRAME ABS, 645I/650I</u>	<u>*ABS</u>	<u>108</u>
<u>A451004</u>	<u>COVER PLATES REAR FRAME POLYCARBONATE</u>	<u>*PC/HD (optional extra)</u>	<u>110</u>
<u>A445950</u>	<u>MUDGUARDS REAR, PAIR, 645I/650I</u>	<u>*Mudguards</u>	<u>112</u>
<u>A461555</u>	<u>ELECTRIC COMPONENTS 528-640 SER3 KUBOTA</u>		<u>114</u>
<u>A460836</u>	<u>POWER SUPPLY ASSEMBLY 528-640 KUBOTA</u>		<u>116</u>
<u>A453565</u>	<u>VECU & FUSE BOXES ON MOUNTING BRACKET</u>		<u>118</u>
<u>A452890</u>	<u>HYDR. HOSES DRIVE 500-600 SERIES 2-SPEED</u>	<u>*Avant 640 (2 speed)</u>	<u>120</u>
<u>A454022</u>	<u>HYDRAULIC MANIFOLD 2-SPEED</u>		<u>122</u>
<u>A444958</u>	<u>HYDRAULIC MOTOR ASSEMBLY 398/199 CCM</u>	<u>*Avant 640 (2 speed)</u>	<u>124</u>
<u>65666</u>	<u>HYDRAULIC MOTOR MSE02 RIGHT 398/199</u>		<u>126</u>
<u>65668</u>	<u>HYDRAULIC MOTOR MSE02 WITH BRAKE RIGHT</u>		<u>128</u>
<u>A451697</u>	<u>DECAL KIT REAR FRAME 528 - 650I ROPS</u>		<u>130</u>
<u>A451678</u>	<u>DECAL KIT FRONT FRAME 645I - 760I ROPS</u>		<u>132</u>
<u>A449937</u>	<u>CAB L</u>		<u>134</u>
<u>A443979</u>	<u>WINDSCREEN WIPER ASSEMBLY CAB L 523-760I</u>		<u>136</u>
<u>A446010</u>	<u>TANK ASSEMBLY WINDSCREEN WASHER</u>		<u>138</u>
<u>A438520</u>	<u>WORK LIGHT KIT, 3 LED LIGHTS 700 LUMEN</u>		<u>140</u>
<u>A449941</u>	<u>ROAD TRAFFIC KIT, ON ROPS 500-600 SERIES</u>		<u>142</u>
<u>A412565</u>	<u>REAR WALL FOR ROAD TRAFFIC LIGHTS</u>		<u>144</u>
<u>A444539</u>	<u>CAB GT, 700 SERIES</u>		<u>146</u>
<u>A453487</u>	<u>BASIC PARTS CAB GT</u>		<u>148</u>
<u>A448117</u>	<u>FRAME CAB GT</u>		<u>150</u>
<u>A438895</u>	<u>LATCH ASSEMBLY</u>		<u>152</u>
<u>A453483</u>	<u>DOOR AND WINDOWS ASSEMBLY CAB GT</u>		<u>154</u>
<u>A445896</u>	<u>WINDSCREEN ASSEMBLY CAB GT</u>		<u>156</u>
<u>A449928</u>	<u>WINDSCREEN WIPER ASSEMBLY CAB GT</u>		<u>158</u>
<u>A436771</u>	<u>REAR WINDOWS CAB GT</u>		<u>160</u>
<u>A434952</u>	<u>WINDOW RIGHT ASSEMBLY CAB GT</u>		<u>162</u>
<u>A436900</u>	<u>SUNROOF ASSEMBLY CAB GT</u>		<u>164</u>

--->

2.2.2024

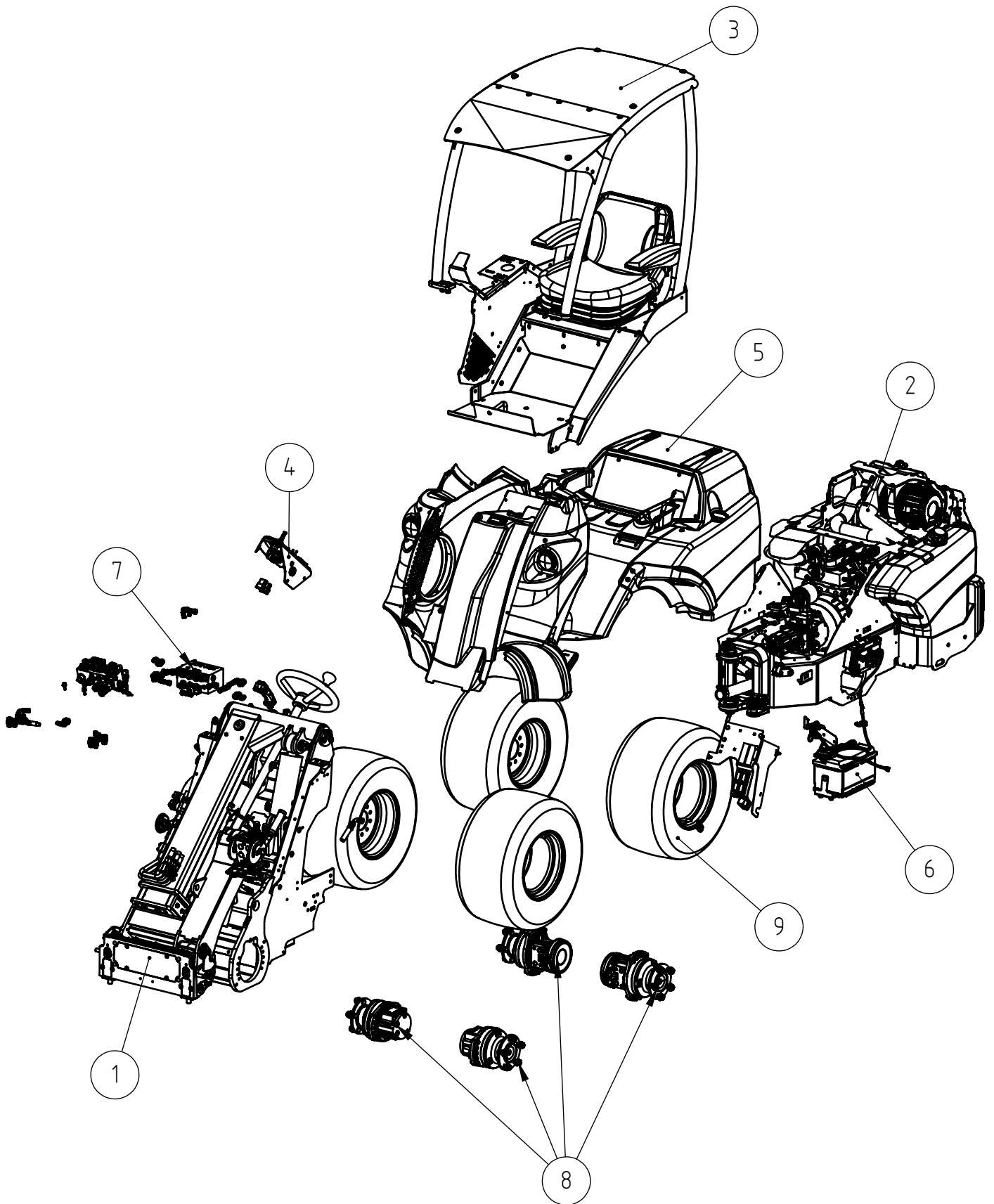
A434950	DOOR ASSEMBLY CAB GT	166
A453489	UPHOLSTERY ASSEMBLY CAB GT	168
A434208	FLOOR MAT ASSEMBLY CAB GT	170
A436615	HEAT SHIELD ASSEMBLY CAB GT	172
A436754	UPHOLSTERY PANELS B-PILLARS CAB GT	174
A436635	AIR DUCTS ASSEMBLY CAB GT	176
A434410	SERVICE HATCH ASSEMBLY CAB GT	178
A438892	UPHOLSTERY ASSEMBLY CEILING CAB GT	180
A438887	SUN VISOR ASSEMBLY CAB GT	182
A438452	NET POCKET ASSEMBLY CAB GT	184
A438443	NET POCKET REAR ASSEMBLY CAB GT	186
A448127	CONTROLS ASSEMBLY CAB GT	188
A465450	CONTROLS ASSEMBLY CAB GT	190
A436574	DASHBOARD CAB GT / DLX	192
A449724	SEAT FULL SUSPENSION FABRIC HEATER MSG65	194
A438246	HEATER ASSEMBLY CAB GT	196
A442729	SUBFRAME CAB GT	198
A438528	WORK LIGHT KIT LED 700LM CAB GT	200
A449942	ROAD TRAFFIC KIT CAB GT 500-600 SERIES	202
A438530	BEACON 800 SERIES	204
A450869	AIR CONDITIONING ASSEMBLY CAB GT	206
A434047	HEATER MODULE CAB GT	208
A449155	CONDENSER WITH RECEIVER DRIER A/C CAB GT	210
A449939	AUX. HYDR. OUTLET REAR DOUBLE ACTING 600	212
A449940	EXTRA AUX. HYDR. OUTLET FRONT 600 SERIES	214
A450469	HYDRAULIC ATTACHMENT COUPLING PLATE 500,	216
A449703	VALVE ASSEMBLY HYDR. ATTACHMENT COUPLING	218
A449947	ENGINE BLOCK HEATER 645I/650I 220/230V	220

2.2.2024

4/220

2.2.2024

A461590 AVANT 640 SER3 26KW



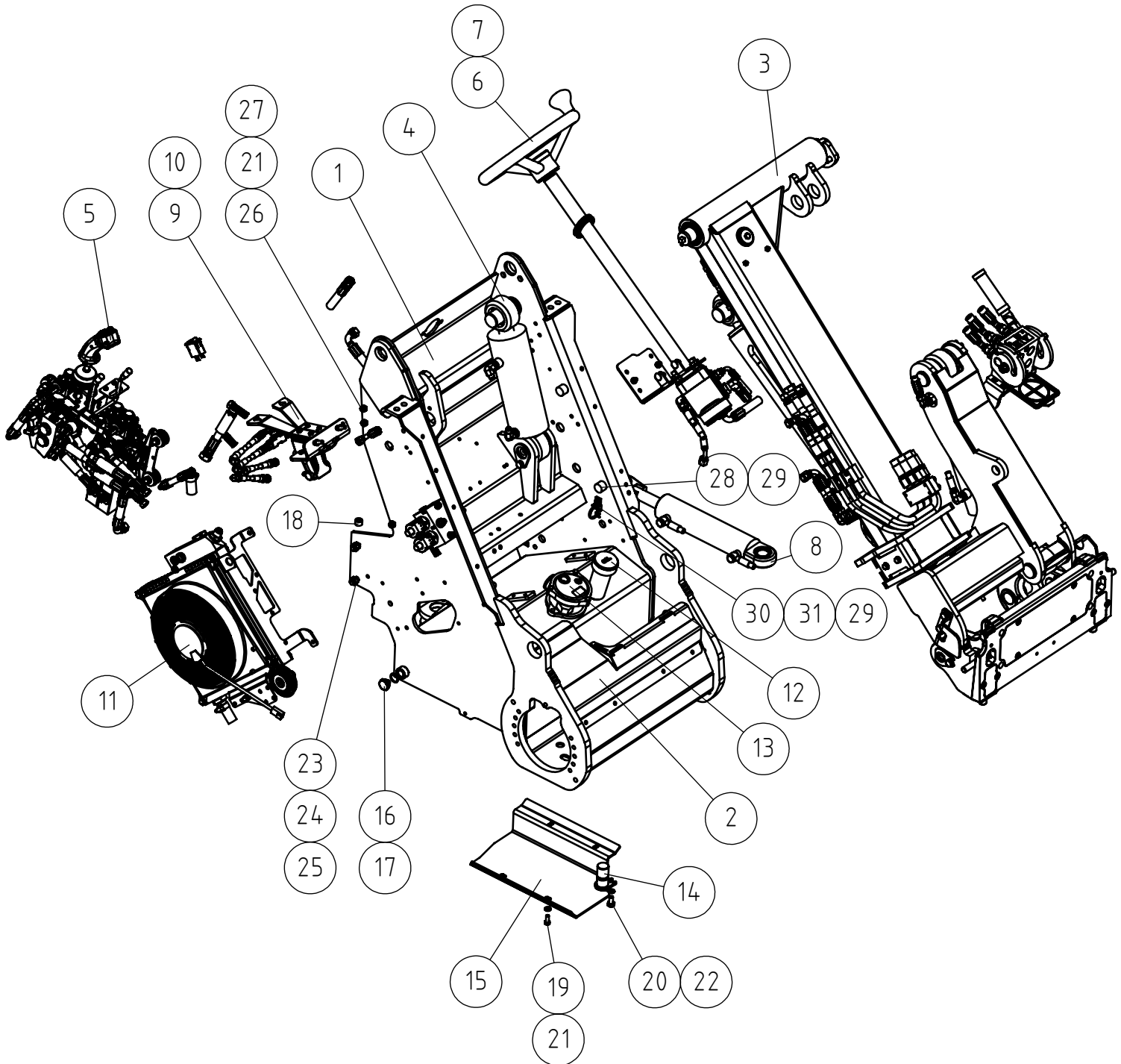
2.2.2024

A461590 AVANT 640 SER3 26KW

REF	PART NO	QTY	DESCRIPTION	NOTES	PAGE
1	A451133	1	FRONT FRAME ASSEMBLY 645I / 650I		8
2	A461591	1	REAR FRAME ASSEMBLY 635, 640 SER3		46
3	A452130	1	ROPS CAB ASSEMBLY 500-700 SERIES		90
4	A435860	1	DASHBOARD ASSEMBLY 700-800 ROPS		98
5	A451125	1	COVER PLATES, KIT, ABS 500-600 SERIES		100
6	A461555	1	ELECTRIC COMPONENTS 528-640 SER3 KUBOTA		114
7	A452890	1	HYDR. HOSES DRIVE 500-600 SERIES 2-SPEED	Avant 640 (2 speed)	120
8	A444958	1	HYDRAULIC MOTOR ASSEMBLY 398/199 CCM	Avant 640 (2 speed)	124
9	65739	4	WHEEL 26*12.00-12 TRACTOR, 10 HOLE RIM		-
10	A451697	1	DECAL KIT REAR FRAME 528 - 650I ROPS		130
11	A451678	1	DECAL KIT FRONT FRAME 645I - 760I ROPS		132

2.2.2024

A451133 FRONT FRAME ASSEMBLY 645I / 650I



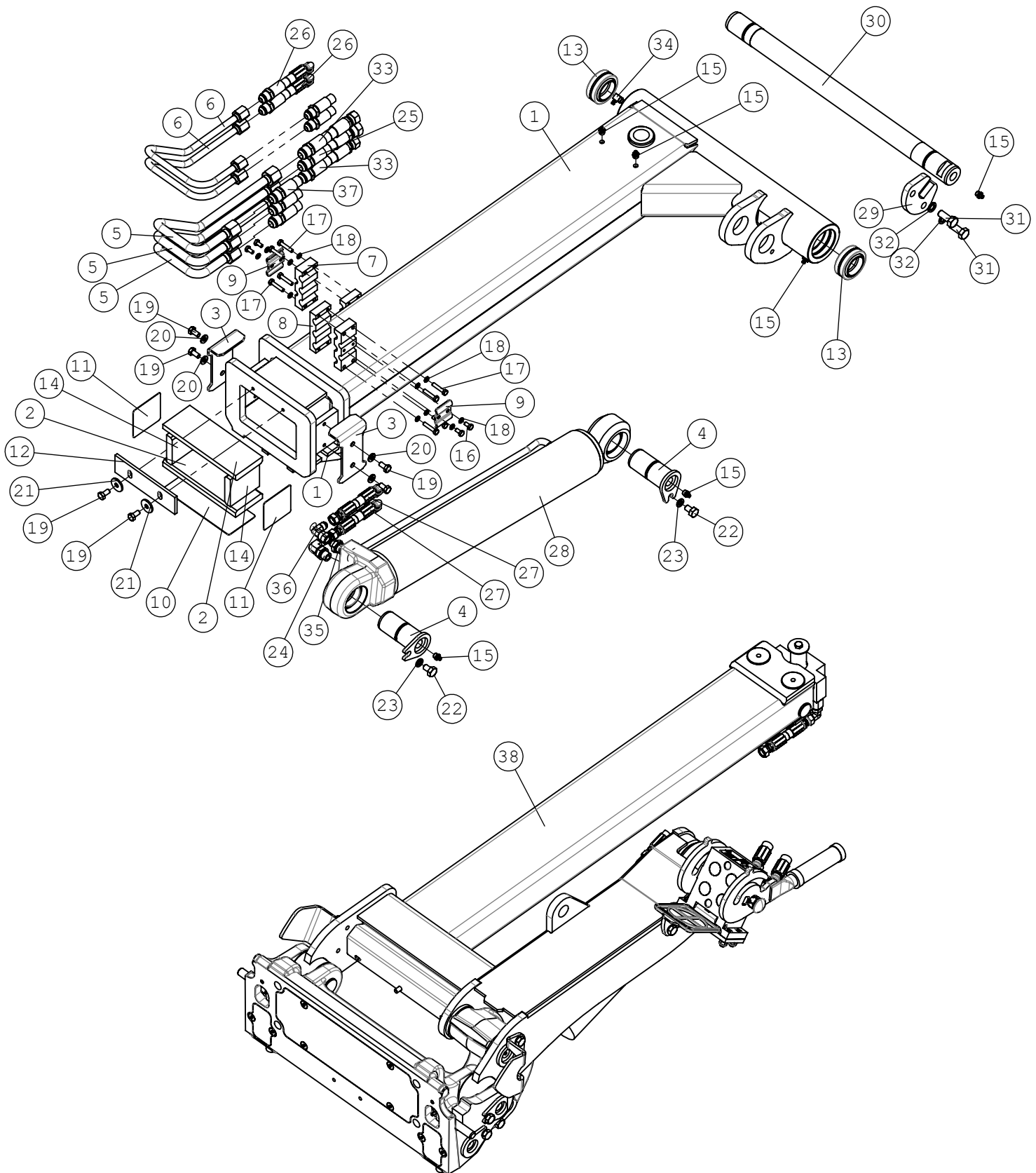
2.2.2024

A451133 FRONT FRAME ASSEMBLY 645I / 650I

REF	PART NO	QTY	DESCRIPTION	NOTES	PAGE
1	A450315	1	FRONT FRAME 500-600 SERIES		-
2	A449045	1	COVER DRIVE MOTORS FRONT		-
3	A21226	1	TELESCOPIC BOOM, COMPLETE WITH ACCESSORI		10
3.1	A430743	1	SLIDE PAD KIT TELESCOPIC BOOM A21226,		-
4	A445632	1	BOOM SELF LEVELLING 600 SERIES		22
5	A450588	1	CONTROL VALVE ASSEMBLY HDS16		26
6	A452574	1	STEERING COLUMN ASSEMBLY		34
7	A452815	1	HYDRAULIC HOSES ORBITROL 600-700 SERIES		36
8	A410813	1	HYDR. CYLINDER F60/F30-172 STEERING		-
8.1	65567	1	SEAL KIT, CYLINDER F60/F30		-
8.2	64273	2	ARTICUL. BEARING GE30ESF47/30-22(18)		-
9	A49058	1	DRIVE PEDAL, COMPLETE ASSEMBLY	A49058 in ROPS (different in cabin GT)	38
10	A422190	1	HYDR. HOSES DRIVE PEDAL 700 SERIES		40
11	A446008	1	HYDRAULIC OIL COOLER ASSEMBLY 500-700		42
12	A48010	1	DIPSTICK L=230 HYDR. OIL R1 1/4"		-
13	65205	1	HYDR. OIL FILTER RETURN, COMPLETE		-
13.1	65227	1	HYDR. OIL FILTER CARTRIDGE, RETURN		-
13.2	A427821	1	SEAL KIT HYDRAULIC RETURN OIL FILTER		-
13.3	A430808	1	FILTER BOWL LONG, HYDR. RETURN OIL		-
14	A47655	1	PIVOT PIN F30-60		-
15	A410452	1	BOTTOM PLATE		-
16	64352	1	HEXAGONAL DRAIN PLUG, MAGNETIC R 1/2		-
17	75117	1	SEAL RING F26/F21*1,5		-
18	A413262	2	BUSHING F19/F10, FLOOR RAISING, 700		-
19	72130	4	HEXAGONAL SCREW M8*20		-
20	73040	1	HEXAGONAL SCREW M10*20 DIN 933 ZN		-
21	63944	10	WASHER, PAIR, NORD-LOCK M8		-
22	74531	1	SPACER NORDLOCK M10, PAIR		-
23	72324	2	HEXAGONAL NUT M 12 NYLOC DIN 985		-
24	74532	2	WASHER NORDLOCK NL12		-
25	73042	2	HEX. SCREW M12*35 DIN 933 ZN		-
26	72132	3	HEXAGONAL SCREW M 8*25 DIN 933 ZN		-
27	72319	3	HEXAGONAL NUT M8 DIN 934		-
28	65238	2	RUBBER MOUNT, CYLINDRICAL		-
29	74781	3	HEXAGONAL NUT M6 WITH FLANGE		-
30	A442639	1	CABLE TIE 7,6*390 M6 BLACK		-
31	A431349	1	HEXAGONAL SERRATED SCREW M6*20 W. FLANG		-

2.2.2024

A21226 TELESCOPIC BOOM, COMPLETE WITH ACCESSORI



2.2.2024

A21226 TELESCOPIC BOOM, COMPLETE WITH ACCESSORI

REF	PART NO	QTY	DESCRIPTION	NOTES	PAGE
1	A33604	1	OUTER BOOM		-
2	A48339	2	SLIDE PAD 15*72*194		-
3	A48341	2	MOUNTING PLATE, SLIDE PAD		-
4	A47041	2	PIVON PIN F40-90		-
5	A47559	3	HYDRAULIC PIPE F16		-
6	A47560	2	HYDRAULIC PIPE F12		-
7	A47562	1	BRACKET, HYDR.PIPE F16/F12		-
8	A47561	1	BRACKET, HYDR. PIPE F16		-
9	A47563	2	BRACKET, HYDR.PIPE F12		-
10	A48014	2	ADJUSTMENT PLATE 1 MM, LONG		-
11	A48013	2	ADJUSTMENT PLATE 1 MM, SHORT		-
12	A48367	1	SCRAPER		-
13	64911	2	ARTICUL. BEARING GE40ES F62/40-28(22)		-
14	A48340	2	SLIDE PAD 15*72*78		-
15	72798	6	GREASE NIPPLE R 1/8" STRAIGHT		-
16	72116	4	HEXAGONAL SCREW M 6*12 DIN 933 ZN		-
17	73199	8	HEXAGONAL SCREW M6*30 DIN 933		-
18	74530	12	WASHER NORDLOCK NL6		-
19	73039	6	HEXAGONAL SCREW M 8*16 DIN 933 ZN		-
20	63944	4	WASHER, PAIR, NORD-LOCK M8		-
21	71685	2	WASHER M8 R9 DIN 440 ZN		-
22	72147	2	HEXAGONAL SCREW M 10*16 DIN 933		-
23	74531	2	SPACER NORDLOCK M10, PAIR		-
24	64044	1	ELBOW FITTING 90° C40XS10-3/8 /8		-
25	A47681	1	HYDR. HOSE L=1020 1LW-08		-
26	A47638	2	HYDR. HOSE L=1610 2LW-06		-
27	A47635	2	HYDR. HOSE L=1720 2LW-06		-
28	A420808	1	HYDRAULIC CYLINDER F80/F40-450		-
28.1	65002	1	SEAL KIT, 80/40CYLINDER		-
29	A49723	1	LOCKING PLATE		-
30	A49725	1	PIVOT PIN F40-564		-
31	72167	2	HEXAGONAL SCREW M12*30 DIN 933		-
32	74532	2	WASHER NORDLOCK NL12		-
33	A47639	2	HYDR. HOSE L=1100 2LW-08		-
34	74082	1	GREASE NIPPLE R1/8" 90 DEGREE		-
35	64041	1	BASIC FITTING F40XS10-3/8 /8		-
36	64043	1	ELBOW FITTING 90° C6XS10		-
37	A414911	3	HYDR. HOSE L=1150 2LW-08		-
38	A436620	1	INNER BOOM, ASSEMBLY		12
-	A430743	1	SLIDE PAD KIT TELESCOPIC BOOM A21226,		-

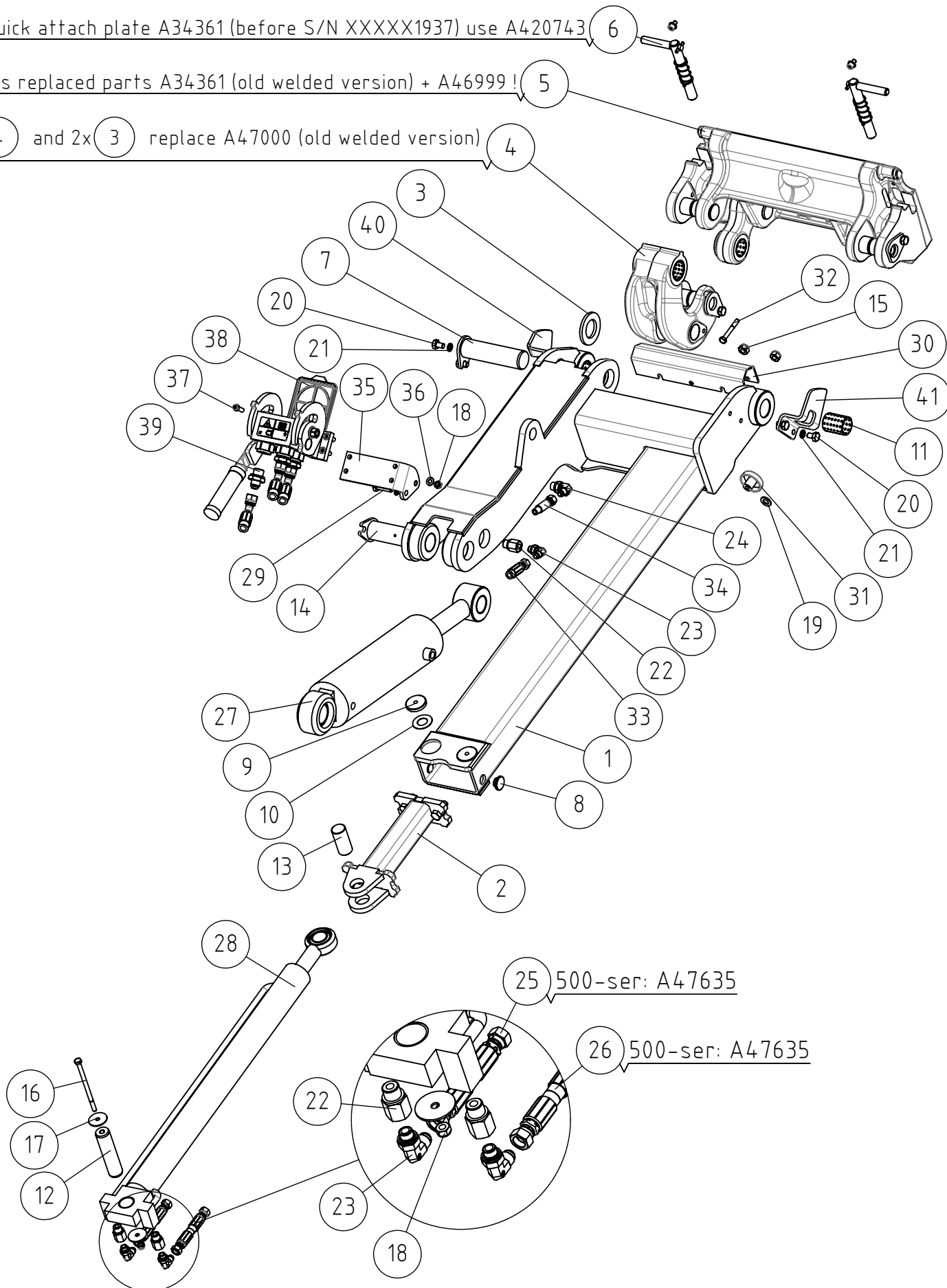
2.2.2024

A436620 INNER BOOM, ASSEMBLY

With welded quick attach plate A34361 (before S/N XXXXX1937) use A420743

This has replaced parts A34361 (old welded version) + A46999!

Parts 4 and 2x 3 replace A47000 (old welded version)



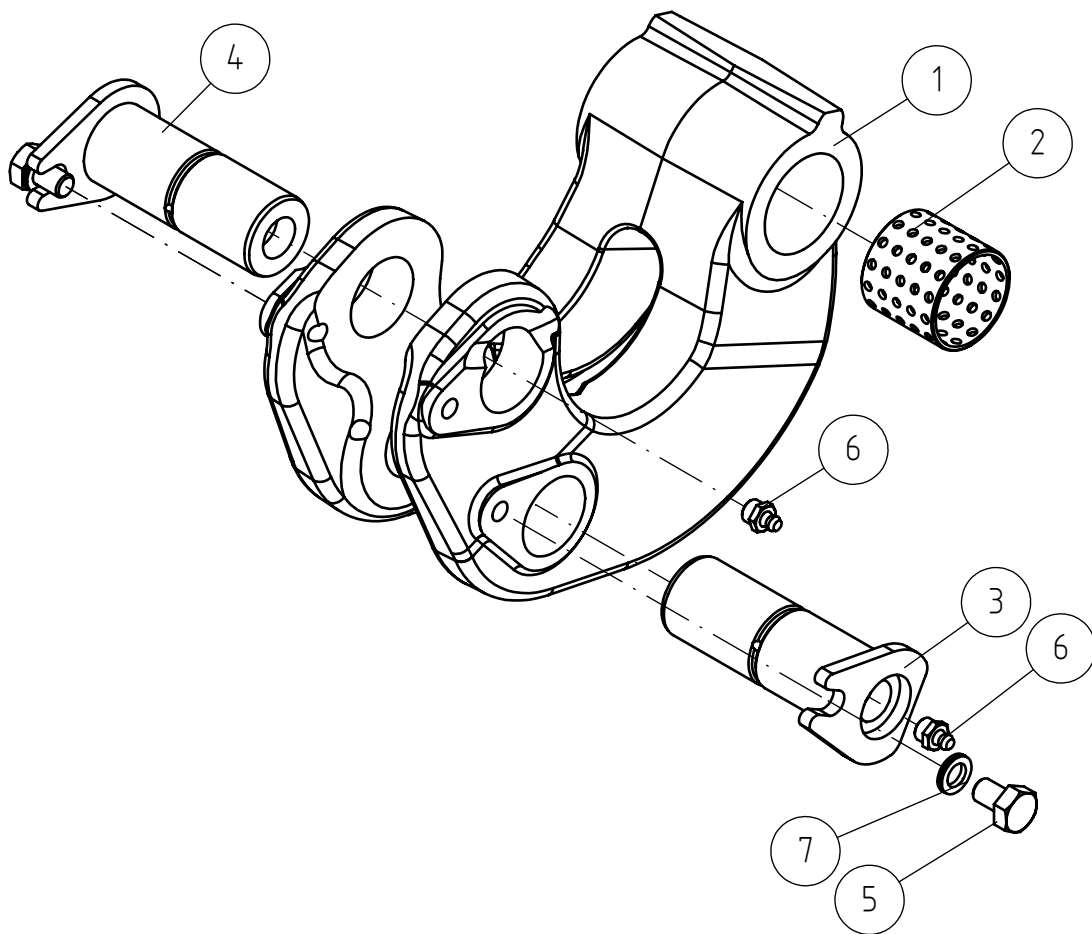
2.2.2024

A436620 INNER BOOM, ASSEMBLY

REF	PART NO	QTY	DESCRIPTION	NOTES	PAGE
1	A33605	1	INNER BOOM		-
2	A47002	1	LINKAGE ROD, SELF LEVELING		-
3	A411429	2	SPACER S=6		-
4	A436687	1	LINKAGE PIECE "BOOMERANG" CAST STEEL		14
5	A436576	1	ATTACHMENT COUPLING PLATE CAST STEEL		16
6	A436614	1	LOCKING PIN ASSEMBLY ATTACHM COUPL PLATE		18
7	A47042	2	PIVOT PIN F40-147		-
8	A48343	2	ROLLER, BOOM		-
9	A47922	2	ROLLER, BOOM		-
10	A47941	2	SLIDE PLATE		-
11	64913	2	SLIDE BEARING BRM-80 F39/F35-50		-
12	A48489	1	PIVOT PIN F30		-
13	A47692	1	PIVOT PIN F30-66		-
14	72798	2	GREASE NIPPLE R 1/8" STRAIGHT		-
15	72324	2	HEXAGONAL NUT M 12 NYLOC DIN 985		-
16	74766	1	HEXAGONAL SCREW M8*140		-
17	A48492	2	WASHER M8X40		-
18	72320	5	HEXAGONAL NUT M8 NYLOC DIN 985		-
19	71691	2	WASHER M12 A13 DIN 125		-
20	72147	5	HEXAGONAL SCREW M 10*16 DIN 933		-
21	74531	7	SPACER NORDLOCK M10, PAIR		-
22	64324	3	REDUCER FITTING RI 3/8"-EDX 1/4"		-
23	64087	3	ELBOW FITTING 90 DEGR. /4#		-
24	64044	1	ELBOW FITTING 90° C40XS10-3/8 /8		-
25	A414606	1	HYDR. HOSE L=1400		-
26	A47637	1	HYDR. HOSE L=1300 2LW-06		-
27	A47921	1	HYDR. CYLINDER F90/F40-216		-
27.1	65005	1	SEAL KIT, CYLINDER 90/40 A47920 A47921		-
27.2	64911	1	ARTICUL. BEARING GE40ES F62/40-28(22)		-
28	A47032	1	HYDR. CYLINDER F50/F32-600		-
28.1	65004	1	SEAL KIT 50/32 CYLINDER A47032		-
28.2	64273	1	ARTICUL. BEARING GE30ESF47/30-22(18)		-
28.3	64823	1	SLIDE BEARING BRM-80 F34/F30-30		-
29	74505	2	HEXAGONAL SCREW M10*35 DIN 933 ZN		-
30	A413816	1	SERVICE SUPPORT, LIFT CYLINDER		-
31	64188	2	FINGER SCREW R5026M8S		-
32	72139	1	HEXAGONAL SCREW M 8*60 DIN 931		-
33	A414912	1	HYDR. HOSE L=1250 2LW-06		-
34	A414913	1	HYDR. HOSE L=1550 2LW-06		-
35	A410804	1	MOUNTING BRACKET, MULTI CONNECTOR LOADER		-
36	73122	4	WASHER M8 A8,4 DIN 125 ZN		-
37	71884	4	HEXAGONAL HEAD SCREW M 8*25 DIN 912 2		-
38	65252	1	MULTI CONNECTOR, ON LOADER		20
39	64058	3	BASIC FITTING F40XS12-1/2		-
40	A430655	1	RELEASE PLATE		-
41	A432890	1	RELEASE PLATE RIGHT		-

2.2.2024

A436687 LINKAGE PIECE "BOOMERANG" CAST STEEL



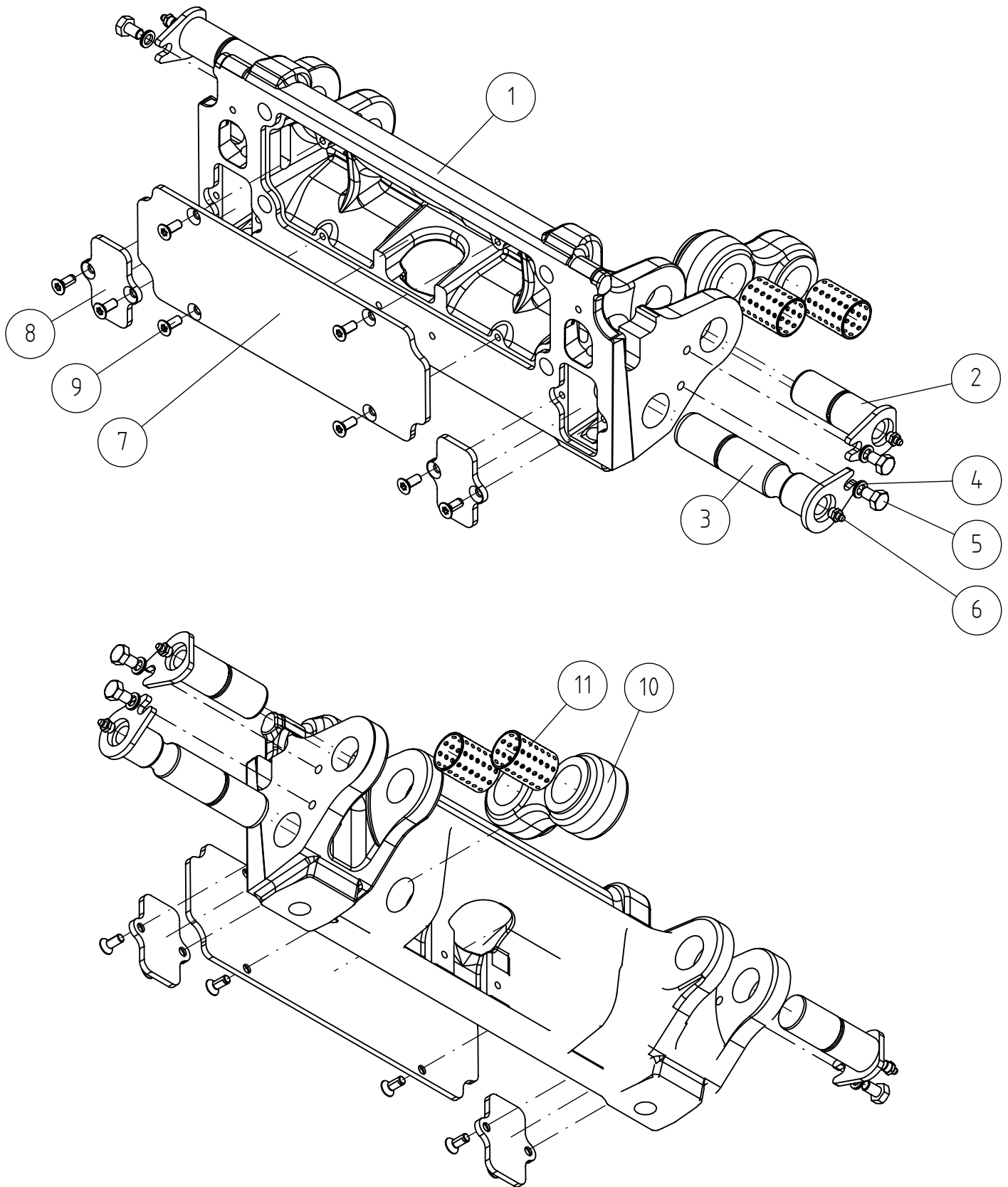
2.2.2024

A436687 LINKAGE PIECE "BOOMERANG" CAST STEEL

REF	PART NO	QTY	DESCRIPTION	NOTES	PAGE
1	A435456	1	LINKAGE PIECE "BOOMERANG" CAST STEEL ADI		-
2	64912	2	SLIDE BEARING BRM-80 TF44/F40-40		-
3	A430579	1	PIVOT PIN 35-103		-
4	A430582	1	PIVOT PIN 35-92		-
5	72147	2	HEXAGONAL SCREW M 10*16 DIN 933		-
6	72798	2	GREASE NIPPLE R 1/8" STRAIGHT		-
7	74531	2	SPACER NORDLOCK M10, PAIR		-

2.2.2024

A436576 ATTACHMENT COUPLING PLATE CAST STEEL



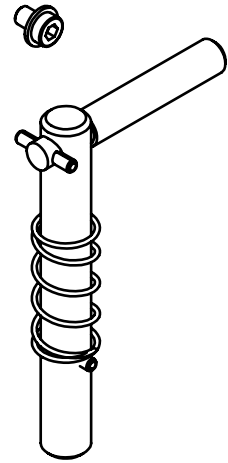
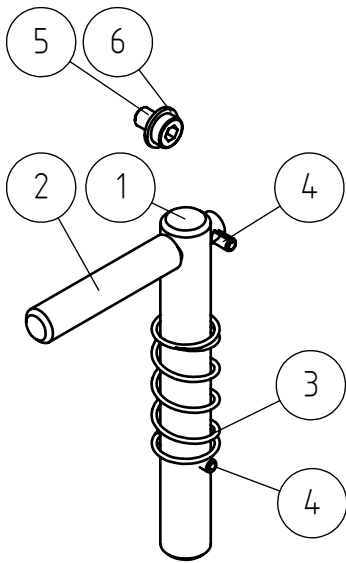
2.2.2024

A436576 ATTACHMENT COUPLING PLATE CAST STEEL

REF	PART NO	QTY	DESCRIPTION	NOTES	PAGE
1	A21749	1	ATTACHMENT COUPLING PLATE CAST STEEL		-
2	A412814	2	PIVOT PIN F35-98		-
3	A427469	1	PIVOT PIN 35-175		-
4	74531	3	SPACER NORDLOCK M10, PAIR		-
5	72147	3	HEXAGONAL SCREW M 10*16 DIN 933		-
6	72798	3	GREASE NIPPLE R 1/8" STRAIGHT		-
7	A427458	1	COVERING PLATE 378X127 ATTACHM COUPL PLA		-
8	A427464	2	COVERING PLATE 87X47 ATTACHM COUPL PLATE		-
9	A441215	8	THREAD-FORMING SCREW M8*20 ISO 14581		-
10	A430010	1	LINKAGE PIECE 500/600 SERIES		-
11	64913	2	SLIDE BEARING BRM-80 F39/F35-50		-

2.2.2024

A436614 LOCKING PIN ASSEMBLY ATTACHM COUPL PLATE



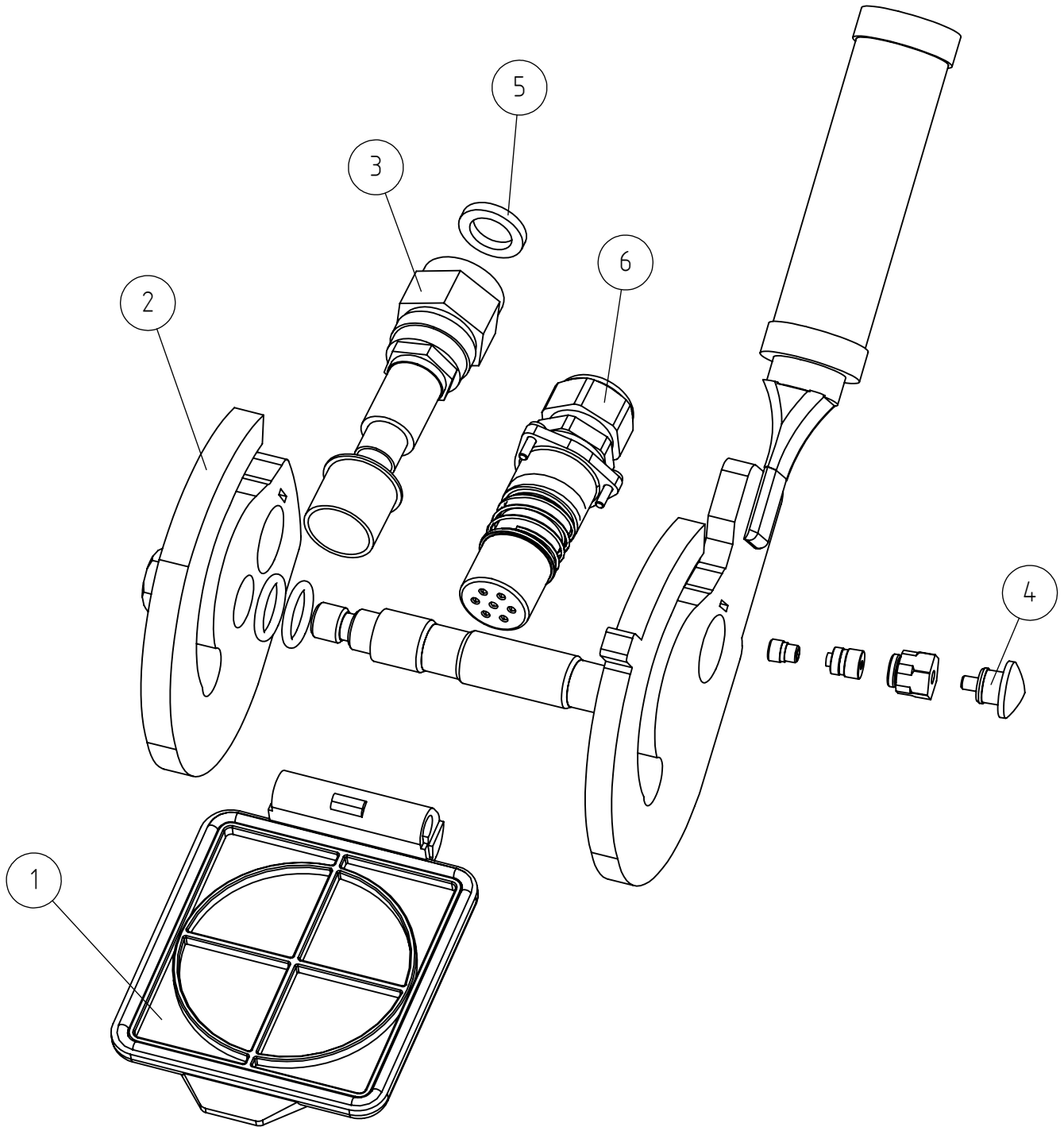
2.2.2024

A436614 LOCKING PIN ASSEMBLY ATTACHM COUPL PLATE

REF	PART NO	QTY	DESCRIPTION	NOTES	PAGE
1	A47687	2	LOCKING PIN F20		-
2	A47688	2	LATCH PIN		-
3	64138	2	COMPRESSION SPRIG DIN 2098 2*25*135		-
4	73661	4	SPRING PIN 5*30 DIN 1481		-
5	74932	2	HEXAGONAL HEAD SCREW M8*12		-
6	73122	2	WASHER M8 A8,4 DIN 125 ZN		-

2.2.2024

65252 MULTI CONNECTOR, ON LOADER

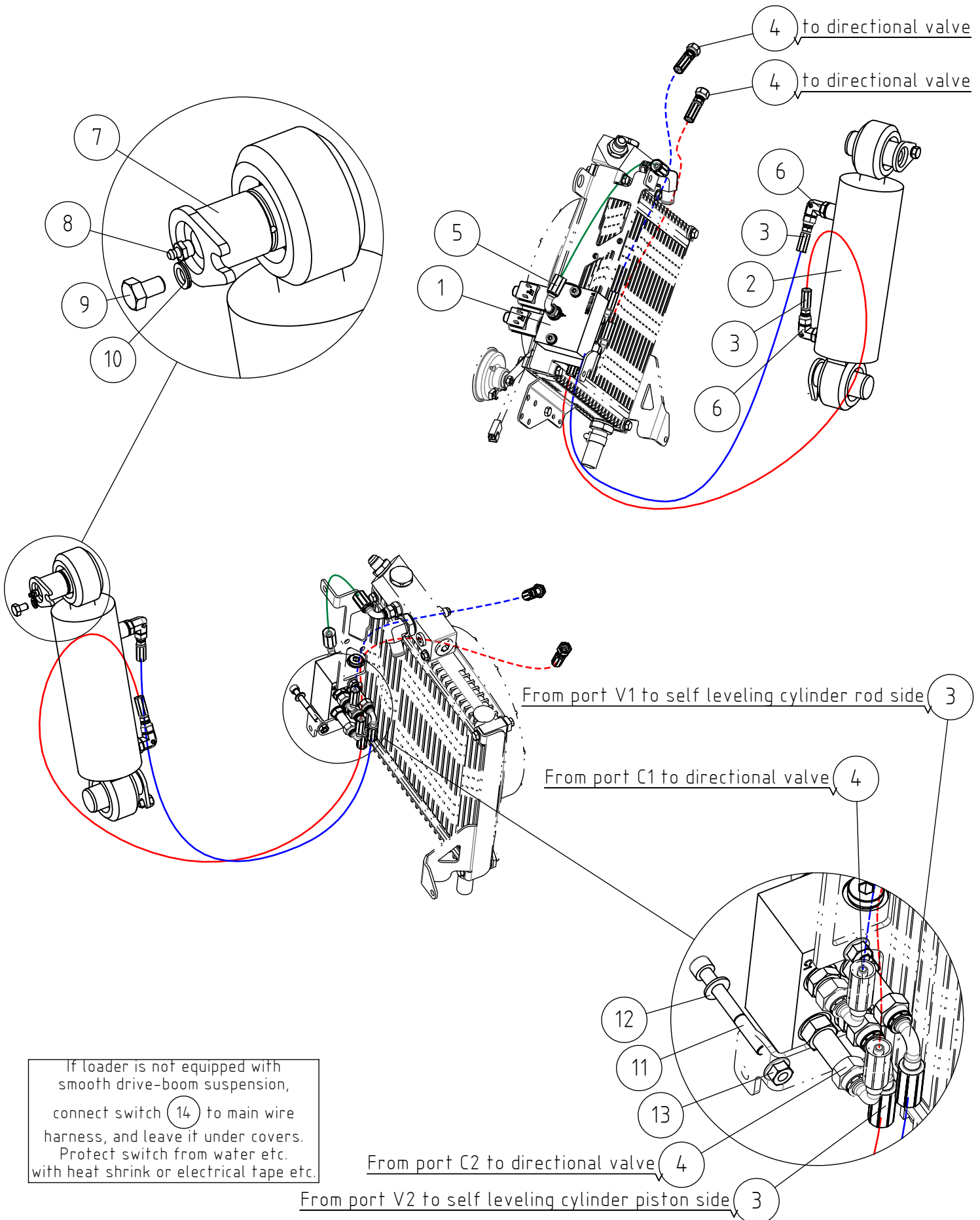


2.2.2024

65252 MULTI CONNECTOR, ON LOADER

REF	PART NO	QTY	DESCRIPTION	NOTES	PAGE
1	65882	1	CAP PLATE, KIT, MULTI CONNECTOR		-
2	65884	1	HANDLE, KIT, MULTI CONNECTOR ON LOADER		-
3	65881	1	QUICK COUPLER, ON MULTI CONNECTOR		-
4	65883	1	SAFETY BUTTON, KIT, MULTI CONNECTOR		-
5	65880	1	SEAL RING, MULTI CONNECTOR SK MF 12		-
6	75035	1	ELECTRIC CONNECTOR FEMININE, FASTER		-

A445632 BOOM SELF LEVELLING 600 SERIES

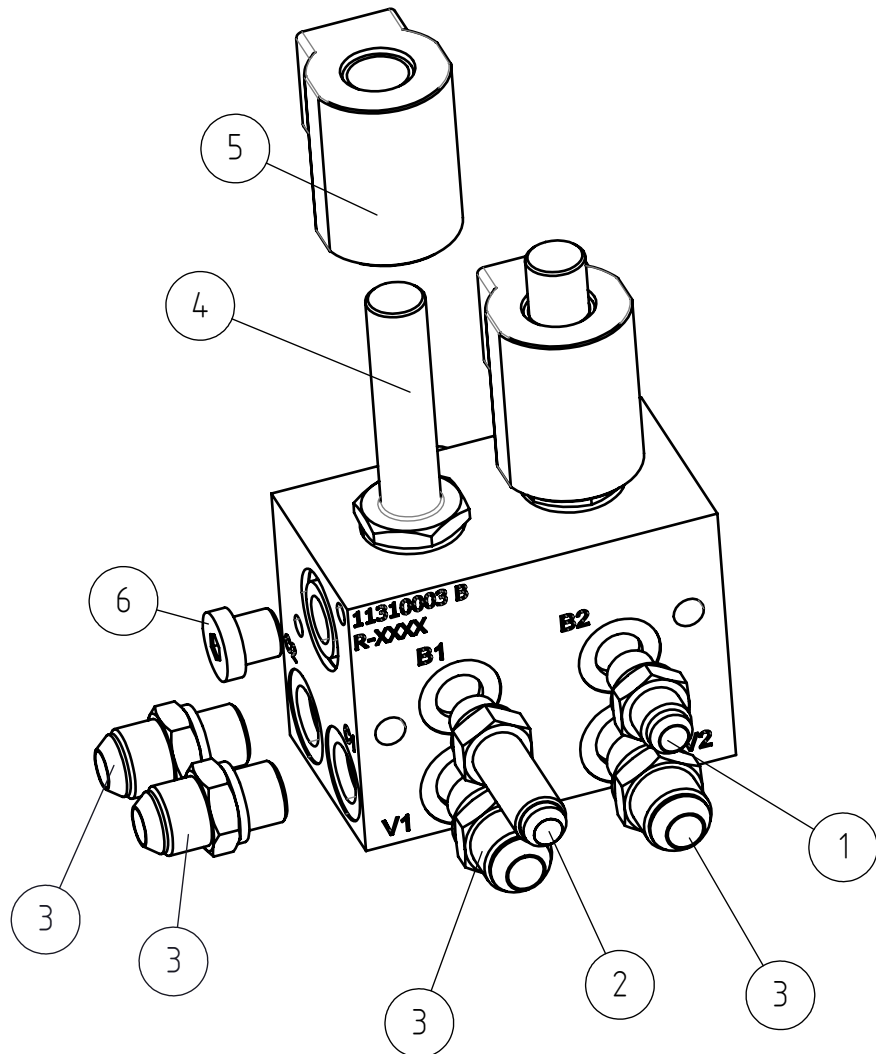
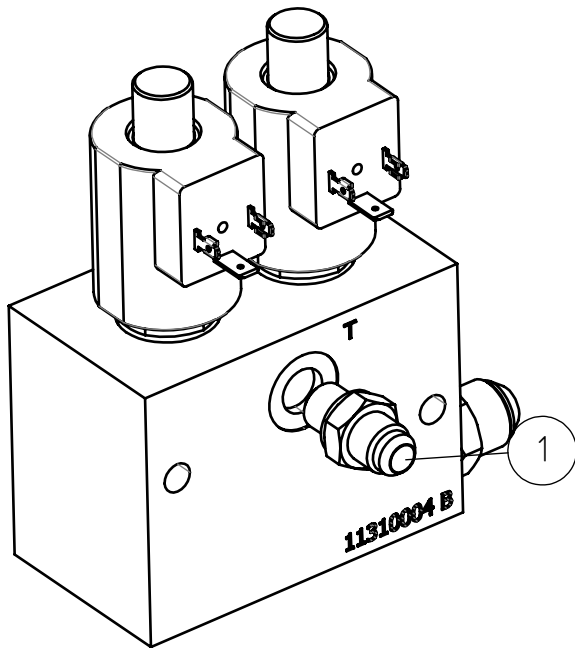


A445632 BOOM SELF LEVELLING 600 SERIES

REF	PART NO	QTY	DESCRIPTION	NOTES	PAGE
1	A449741	1	DIRECTIONAL VALVE ASSEMBLY BOOM FLOAT &		24
2	A47920	1	HYDR. CYLINDER F90/F40-142		-
2.1	65005	1	SEAL KIT, CYLINDER 90/40 A47920 A47921		-
2.2	64911	2	ARTICUL. BEARING GE40ES F62/40-28(22)		-
3	A450417	2	HYDR. HOSE L=1250		-
4	A450415	2	HYDR. HOSE L=800		-
5	A450400	1	HYDR. HOSE L=500		-
6	64044	2	ELBOW FITTING 90° C40XS10-3/8 /8		-
7	A47041	2	PIVON PIN F40-90		-
8	72798	2	GREASE NIPPLE R 1/8" STRAIGHT		-
9	72147	2	HEXAGONAL SCREW M 10*16 DIN 933		-
10	74531	2	SPACER NORDLOCK M10, PAIR		-
11	A442472	2	HEXAGONAL HEAD SCREW M8*70 DIN 912 8.8		-
12	73122	2	WASHER M8 A8,4 DIN 125 ZN		-
13	A450046	2	HEXAGONAL NUT M8 WITH FLANGE		-
14	A437190	1	SWITCH SMOOTH DRIVE		-
15	A440277	1	WIRE HARNESS SMOOTH DRIVE, TO VALVES		-

2.2.2024

A449741 DIRECTIONAL VALVE ASSEMBLY BOOM FLOAT &

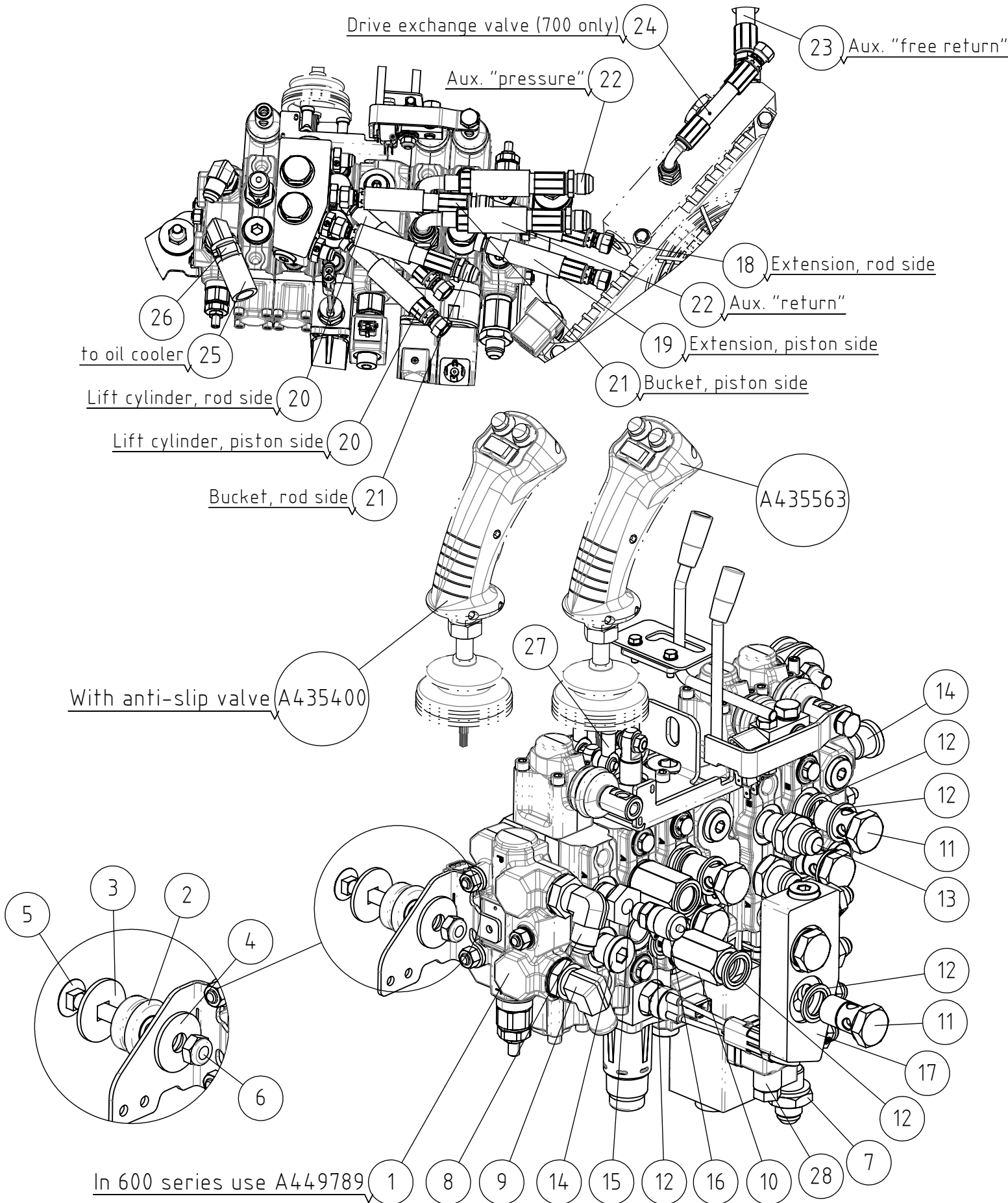


2.2.2024

A449741 DIRECTIONAL VALVE ASSEMBLY BOOM FLOAT &

REF	PART NO	QTY	DESCRIPTION	NOTES	PAGE
1	64059	2	BASIC FITTING F40XS10-1/4		-
2	A453598	1	BASIC FITTING G1/4" OUTSIDE THREAD		-
3	64042	4	BASIC FITTING F40XS12-3/8 /8		-
4	A432527	2	VALVE CARTRIDGE 3/2 CONTROL VALVE		-
5	A432544	2	SOLENOID 12V / 26W		-
6	64700	1	HEXAGONAL PLUG R 1/4"		-

A450588 CONTROL VALVE ASSEMBLY HDS16



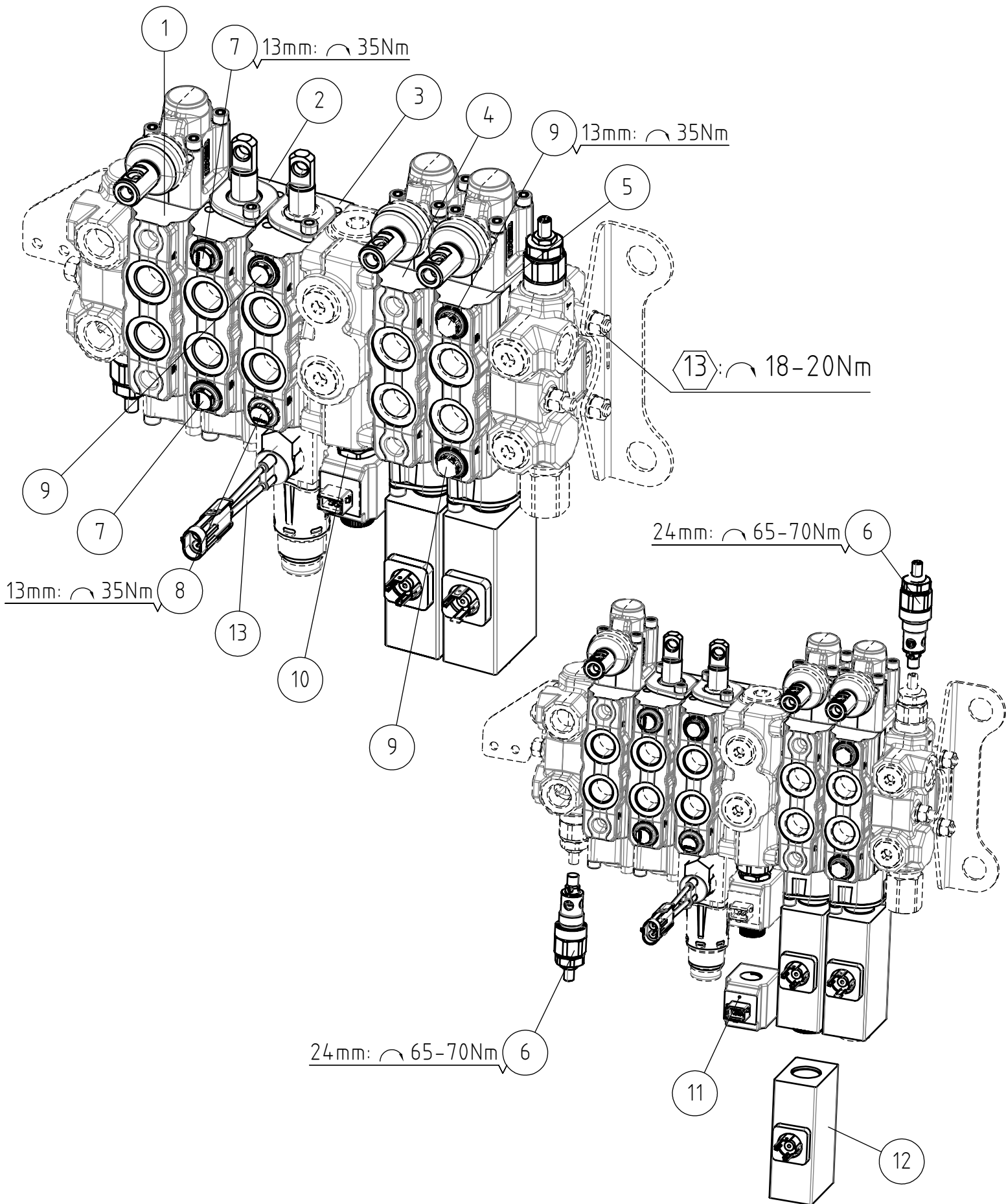
2.2.2024

A450588 CONTROL VALVE ASSEMBLY HDS16

REF	PART NO	QTY	DESCRIPTION	NOTES	PAGE
1	A429030	1	CONTROL VALVE HDS16		28
1.1	A439953	1	VALVE SECTION WITH BOOM FLOATING CONTROL		-
1.2	A447990	1	SEAL KIT CONTROL VALVE BUCHER A429030		-
2	A431033	3	VIBRATION DAMPER SCBR 45SH		-
3	A431029	3	SPACER 3MM		-
4	A431034	3	WASHER Ø38/12,5, S=3 SCBR 38		-
5	A437458	3	CARRIAGE BOLT M10*50 DIN603		-
6	72322	3	HEXAGONAL NUT M 10 NYLOC DIN 985		-
7	64058	1	BASIC FITTING F40XS12-1/2		-
8	64045	1	ELBOW FITTING 90° C40XS12-1/2 /2		-
9	A449632	1	HOSE BARB 90 DEGR. G1/2" - 20MM		-
10	A444789	2	BUSHING G1/2_G1/2		-
11	73959	6	BANJO BOLT R 1/2"		-
12	73047	14	USIT SEAL RING R/12"		-
13	65060	2	BASIC FITTING F40XS16-1/2		-
14	64174	2	HEXAGONAL DRAIN PLUG HF 1/2" WITH SEAL		-
15	64743	1	REDUCER FITTING R1/2" - EDX 1/4"		-
16	64196	1	MANOMETER FITTING M16*2		-
17	A446806	1	HYDRAULIC MANIFOLD ASSEMBLY CONTROL		-
18	A450589	1	HYDR. HOSE L=1430		-
19	A450590	1	HYDR. HOSE L=1330		-
20	A450594	2	HYDR. HOSE L=1650		-
21	A446821	2	HYDR. HOSE L=1410		-
22	A450591	2	HYDR. HOSE L=1180		-
23	A446841	1	HYDR. HOSE L=820		-
24	A434555	1	HYDR. HOSE L=2200		-
25	A450526	1	INLET HOSE L=730 D19		-
26	73530	2	HOSE CLAMP 22-32 MM		-
27	A452569	1	CONTROL LEVERS ASSEMBLY CONTROL VALVE		30
28	A424994	1	WIRE HARNESS SOLENOID VALVE 528-700		-

2.2.2024

A429030 CONTROL VALVE HDS16



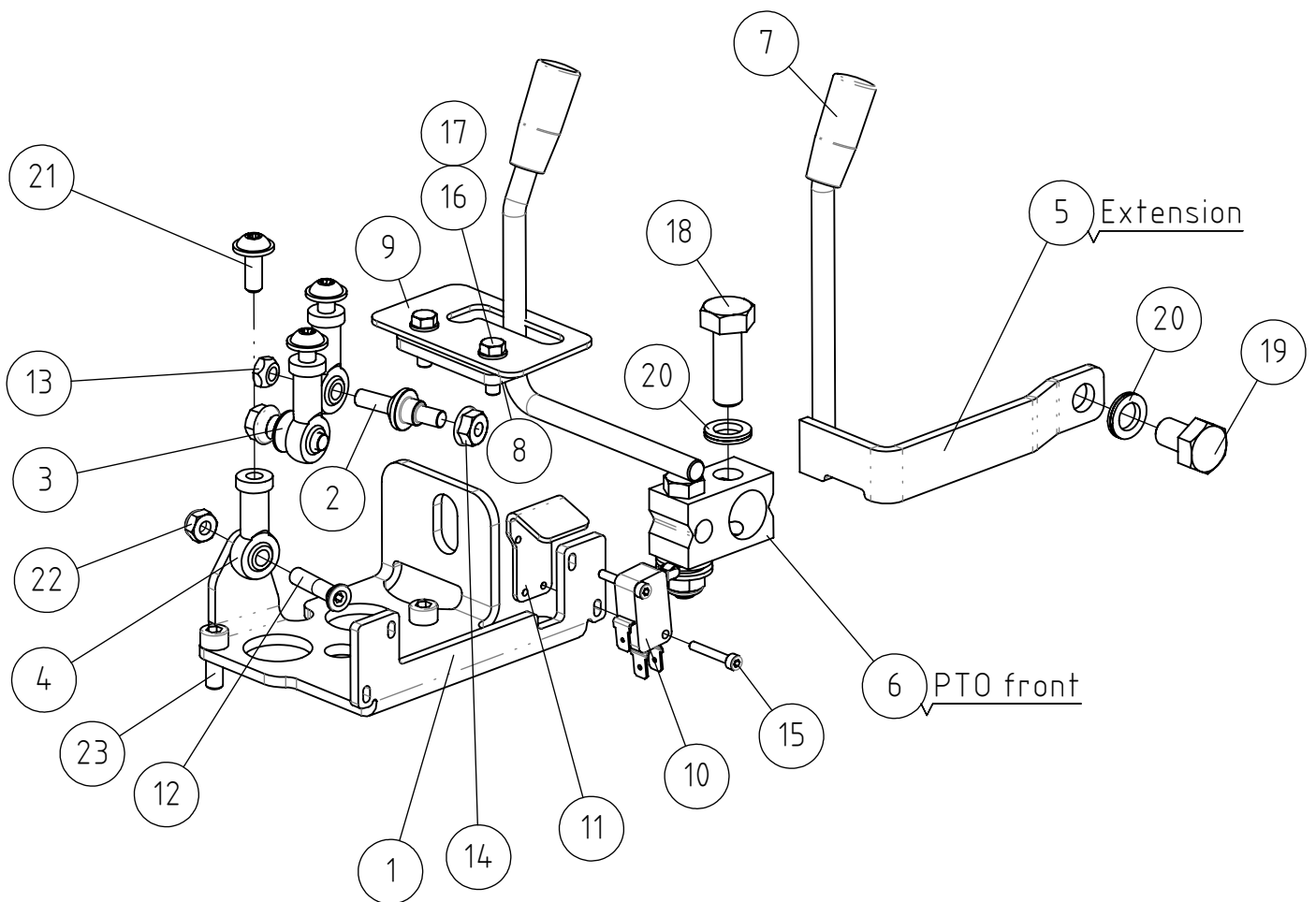
2.2.2024

A429030 CONTROL VALVE HDS16

REF	PART NO	QTY	DESCRIPTION	NOTES	PAGE
1	A449639	1	VALVE SECTION REAR AUX. HYDR., CONTROL		-
2	A449637	1	VALVE SECTION TILT CYLINDER CONTROL		-
3	A439953	1	VALVE SECTION WITH BOOM FLOATING CONTROL		-
4	A449636	1	VALVE SECTION EXTRA FRONT AUX. HYDR.,		-
5	A443909	1	VALVE SECTION TELESCOPE, CONTROL VALVE		-
6	A449641	2	PRESSURE RELIEF VALVE CARTRIDGE 150-250		-
7	A449642	2	SHOCK- SUCTION VALVE CARTRIDGE 280 BAR		-
8	A449644	1	SHOCK- SUCTION VALVE CARTRIDGE 320 BAR		-
9	A449645	3	SUCTION VALVE CARTRIDGE HDS16		-
10	A449647	1	VALVE CARTRIDGE 2/2 PUMP SELECTION HDS16		-
11	A441534	1	SOLENOID 12V/21W + DIODE		-
12	A434106	1	SOLENOID 12VDC/60W PUSH-PULL		-
13	A449646	1	MICROSWITCH SAE 6 TO CONTROL VALVE HDS16		-
14	A447990	1	SEAL KIT CONTROL VALVE BUCHER A429030		-
-	A439953	1	VALVE SECTION WITH BOOM FLOATING CONTROL		-
-	A447990	1	SEAL KIT CONTROL VALVE BUCHER A429030		-

2.2.2024

A452569 CONTROL LEVERS ASSEMBLY CONTROL VALVE



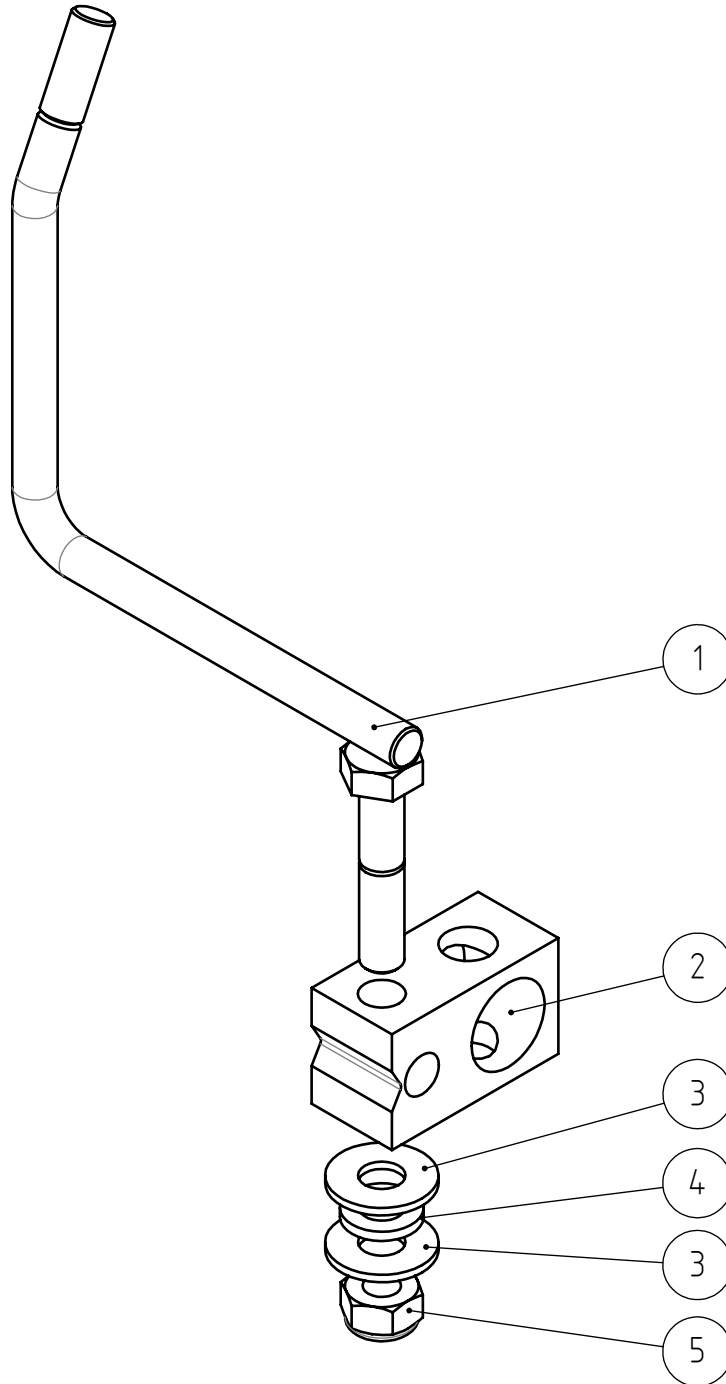
2.2.2024

A452569 CONTROL LEVERS ASSEMBLY CONTROL VALVE

REF	PART NO	QTY	DESCRIPTION	NOTES	PAGE
1	A452529	1	BOTTOM PLATE CONTROL LEVERS 600-800 SER		-
2	A431066	1	PIN LONG CONTROL LEVERS M6 THREAD		-
3	A450523	1	BOLT CONTROL LEVER		-
4	65501	3	ROD END JAF 6		-
5	A442075	1	CONTROL LEVER TELEBOOM 800 SERIES		-
6	A436748	1	CONTROL LEVER AUX. HYDR. FRONT ASSEMBLY		32
7	74761	2	KNOB, CONTROL LEVER		-
8	A48360	1	LOCKING PIECE		-
9	A410901	1	LOCKING PLATE, CONTROL LEVER		-
10	64504	1	MICROSWITCH		-
11	A449831	1	TIGHTENING PLATE MICROSWITCH		-
12	A450520	1	HEXAGONAL HEAD SCREW M6*25 10.9		-
13	A41822	1	LEVERAGE NUT M 6		-
14	74781	2	HEXAGONAL NUT M6 WITH FLANGE		-
15	A435740	2	HEXAGONAL HEAD SCREW M3*20 DIN 912		-
16	72110	2	HEX. SCREW M5*16 DIN 933		-
17	74448	2	WASHER M5 A5,3 DIN 125 ZN		-
18	72151	1	HEXAGONAL SCREW M10*30 DIN 933 ZN		-
19	72147	1	HEXAGONAL SCREW M 10*16 DIN 933		-
20	74531	2	SPACER NORDLOCK M10, PAIR		-
21	A442149	3	THREAD-FORMING SCREW M6*16 BN219-8.8		-
22	72318	1	HEXAGONAL NUT M 6 DIN 985 NYLOC		-
23	73766	2	HEXAGONAL HEAD SCREW M6*16 DIN 912 2 8.8		-

2.2.2024

A436748 CONTROL LEVER AUX. HYDR. FRONT ASSEMBLY

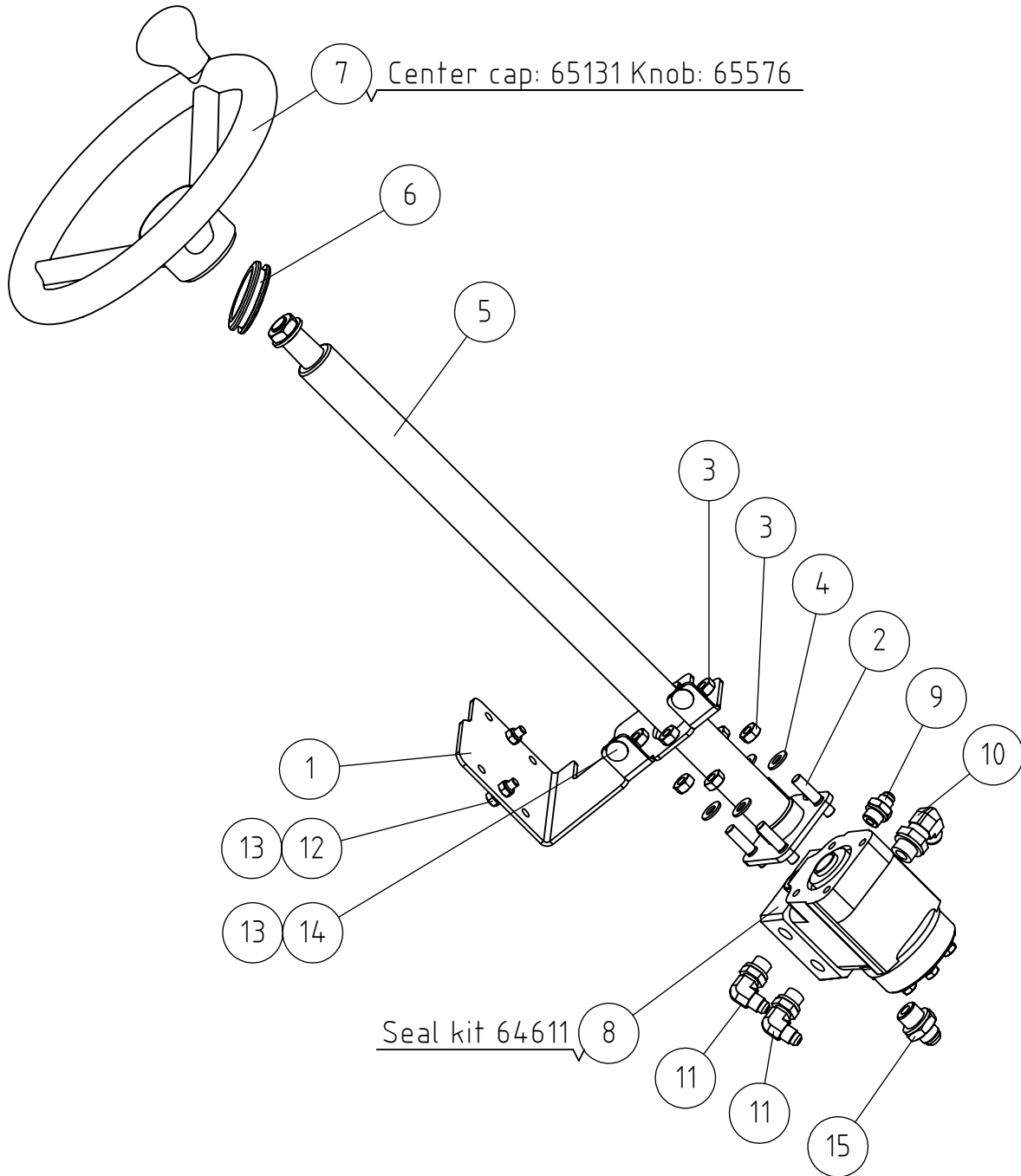


2.2.2024

A436748 CONTROL LEVER AUX. HYDR. FRONT ASSEMBLY

REF	PART NO	QTY	DESCRIPTION	NOTES	PAGE
1	A431076	1	CONTROL LEVER AUXILIARY HYDRAULICS FRONT		-
2	A431074	1	MOUNTING PIECE, CROSS, CONTROL LEVER		-
3	74525	2	WASHER M8 8,4*20*1,25 ZN		-
4	73962	1	WASHER M 8 DIN 127		-
5	72320	1	HEXAGONAL NUT M8 NYLOC DIN 985		-

A452574 STEERING COLUMN ASSEMBLY

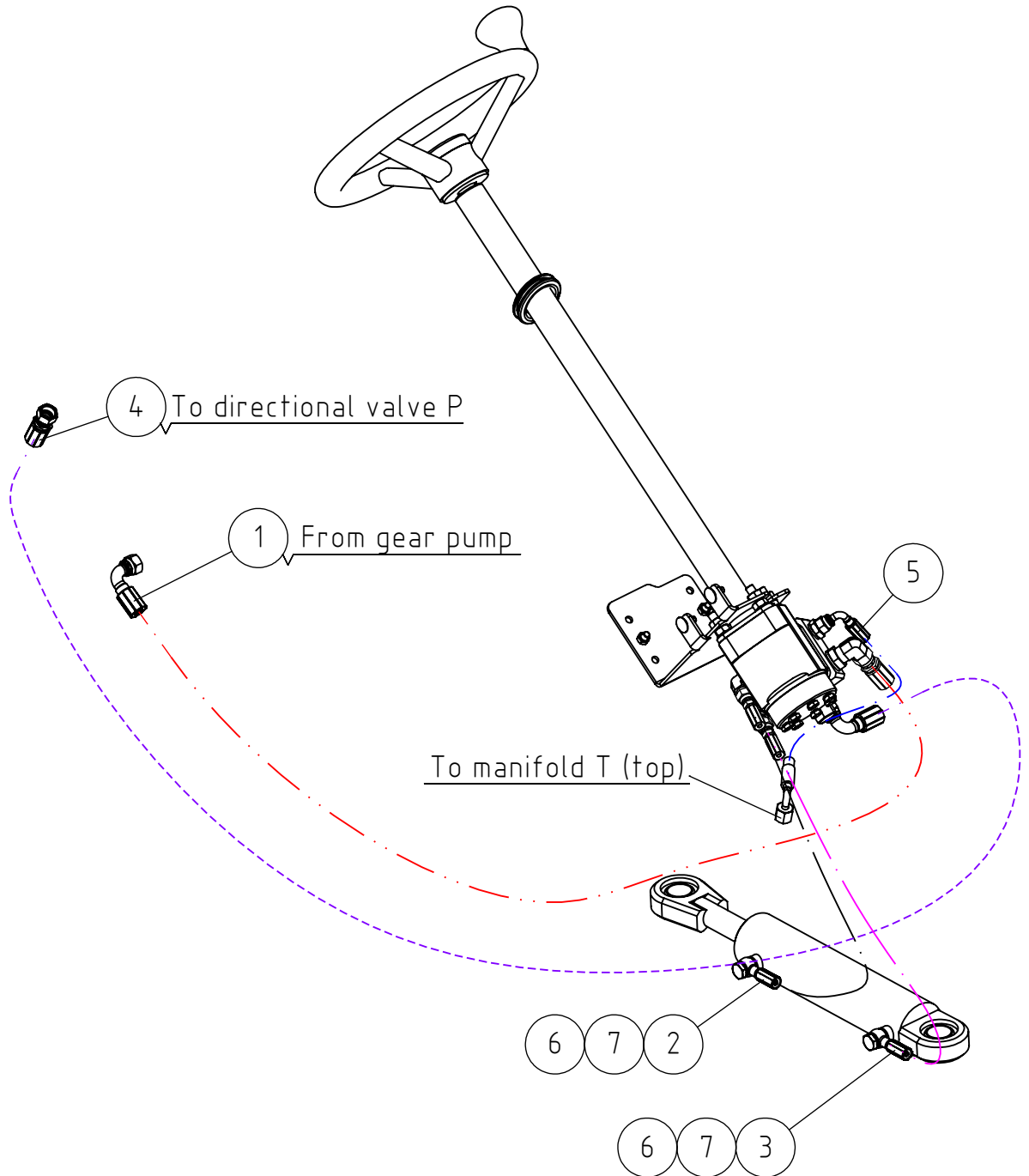


2.2.2024

A452574 STEERING COLUMN ASSEMBLY

REF	PART NO	QTY	DESCRIPTION	NOTES	PAGE
1	A446052	1	BRACKET ORBITROL 500-700 SERIES		-
2	74587	4	STUD M10* 35 DIN 939		-
3	72321	8	HEXAGONAL NUT M10 DIN 934		-
4	73121	4	WASHER M10 A10,5 DIN 125 ZN		-
5	66233	1	STEERING WHEEL ROD M+S KK650 -I		-
6	A428827	1	RUBBER BUSHING STEERING COLUMN		-
7	65076	1	STEERING WHEEL "AVANT" F320		-
7.1	65131	1	CENTER CAP, STEERING WHEEL		-
7.2	65576	1	KNOB, STEERING WHEEL, COBO 0034.1130		-
8	64178	1	CONTROL BLOCK M+S HKUS 80/5-140+PRDD80/7		-
8.1	A430819	1	HEXAGONAL HEAD SCREW M10*1*45 ORBITROL		-
8.2	64611	1	SEAL KIT 41 5137 0130 M+S HKUS ORBITROL		-
8.3	64612	1	SEAL KIT, PRIORITY VALVE / ORBITROL M+S		-
9	64041	1	BASIC FITTING F40XS10-3/8 /8		-
10	64045	1	ELBOW FITTING 90° C40XS12-1/2 /2		-
11	64044	2	ELBOW FITTING 90° C40XS10-3/8 /8		-
12	72132	2	HEXAGONAL SCREW M 8*25 DIN 933 ZN		-
13	72320	4	HEXAGONAL NUT M8 NYLOC DIN 985		-
14	74836	2	CARRIAGE BOLT M8*20		-
15	64058	1	BASIC FITTING F40XS12-1/2		-

A452815 HYDRAULIC HOSES ORBITROL 600-700 SERIES



2.2.2024

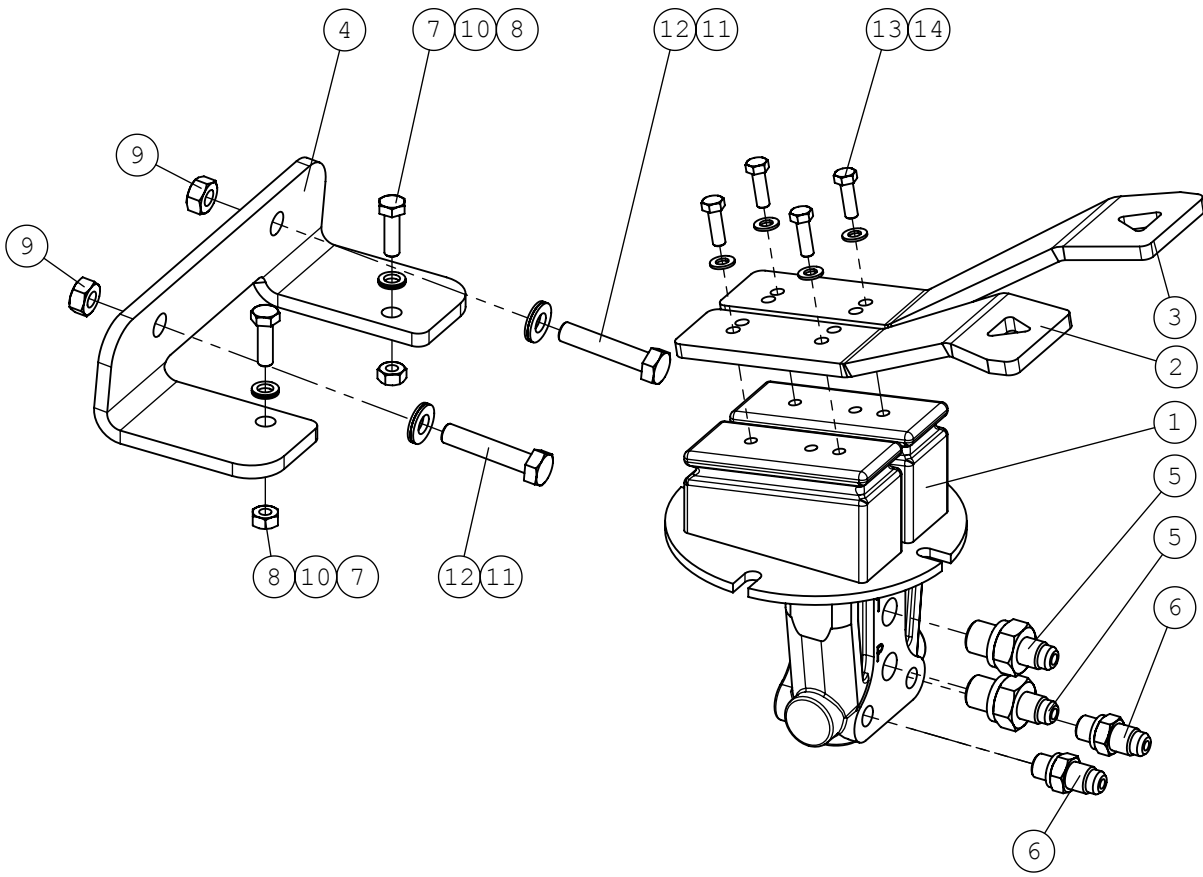
A452815 HYDRAULIC HOSES ORBITROL 600-700 SERIES

REF	PART NO	QTY	DESCRIPTION	NOTES	PAGE
1	A48210	1	HYDR. HOSE L=1110		-
2	A462712	1	HYDR. HOSE L=1100		-
3	A462714	1	HYDR. HOSE L=850		-
4	A434550	2	HYDR. HOSE L=1900		-
5	A410017	1	HYDR. HOSE L=400		-
6	64557	2	BANJO BOLT R 1/4"		-
7	73757	4	USIT COMPRESSION R1/4"		-

2.2.2024

A49058 in ROPS (different in cabin GT)

A49058 DRIVE PEDAL, COMPLETE ASSEMBLY



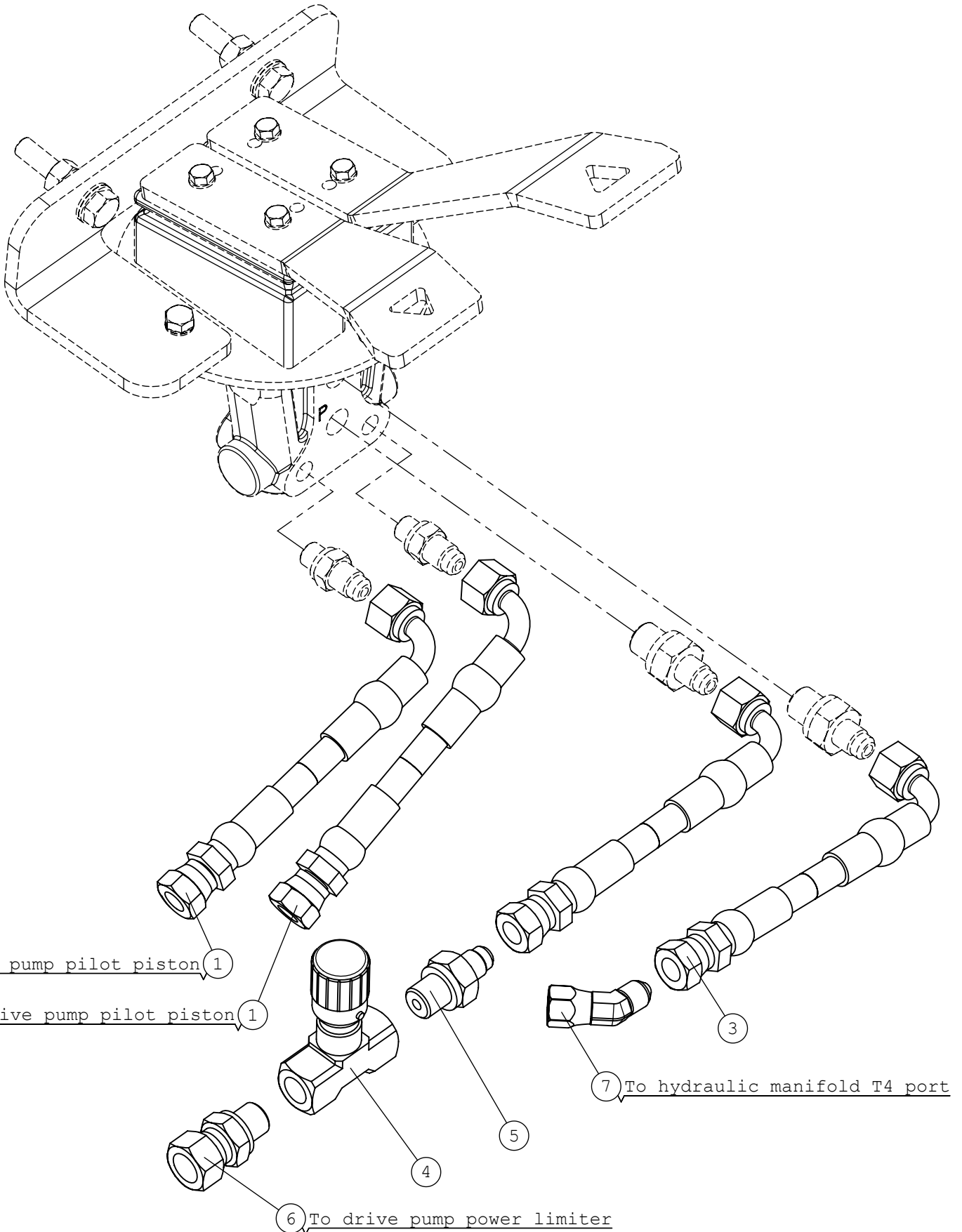
2.2.2024

A49058 in ROPS (different in cabin GT)

A49058 DRIVE PEDAL, COMPLETE ASSEMBLY

REF	PART NO	QTY	DESCRIPTION	NOTES	PAGE
1	64922	1	HYDR. PEDAL BONDIOLI HPCF0G218SP00102-1		-
2	A47550	1	DRIVE PEDAL, LEFT		-
3	A47551	1	DRIVE PEDAL, RIGHT		-
4	A47247	1	BRACKET, DRIVE PEDAL		-
5	64678	2	BASIC FITTING F40XS6-1/4"		-
6	64793	2	BASIC FITTING F40XS6-1/8"		-
7	72118	2	HEXAGONAL SCREW M6*20 DIN 933		-
8	72317	3	HEXAGONAL NUT M6 DIN 934		-
9	72319	2	HEXAGONAL NUT M8 DIN 934		-
10	74530	2	WASHER NORDLOCK NL6		-
11	63944	2	WASHER, PAIR, NORD-LOCK M8		-
12	73222	2	HEXAGONAL SCREW M8*40 DIN 933		-
13	72110	4	HEX. SCREW M5*16 DIN 933		-
14	74448	4	WASHER M5 A5,3 DIN 125 ZN		-

A422190 HYDR. HOSES DRIVE PEDAL 700 SERIES

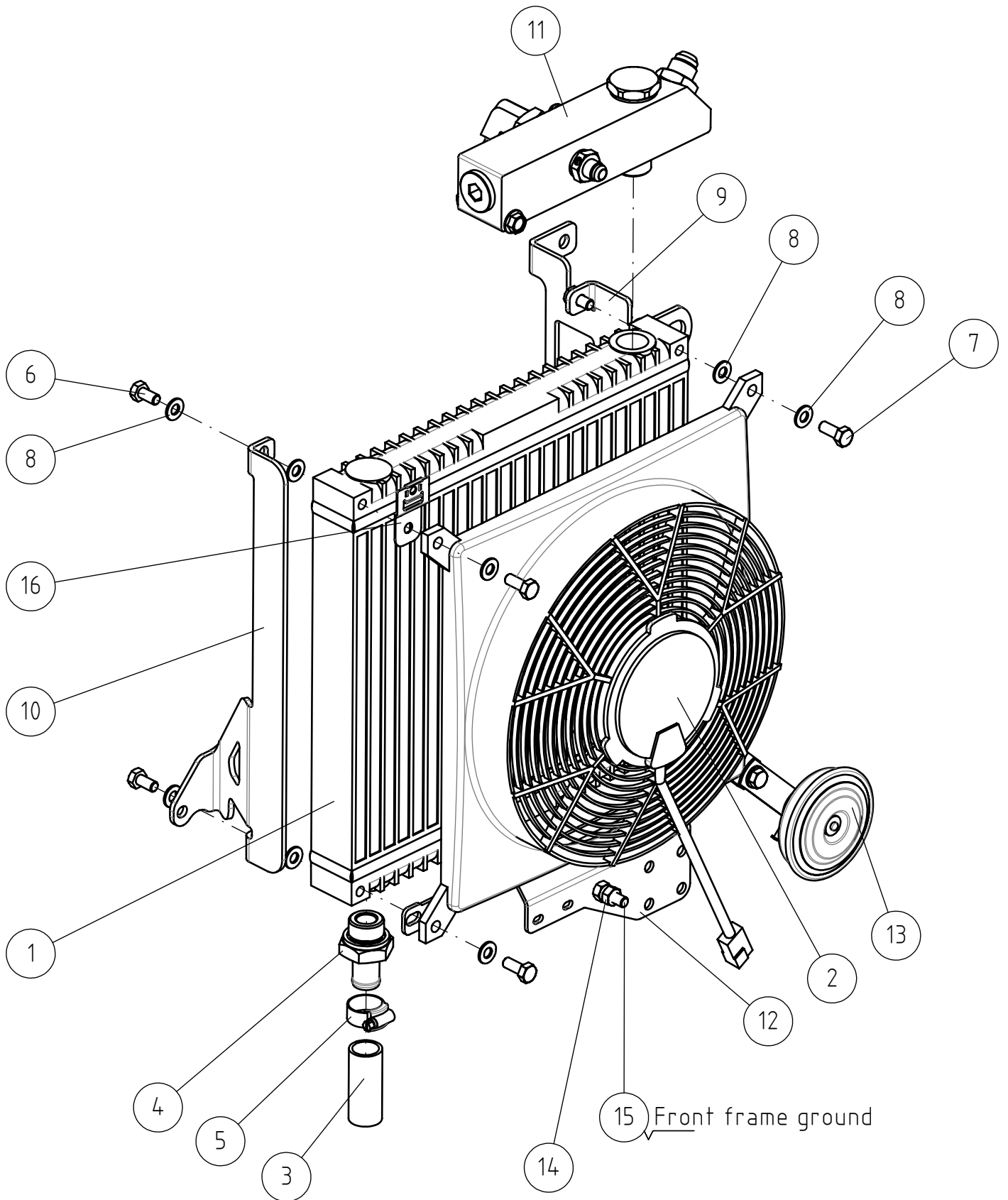


2.2.2024

A422190 HYDR. HOSES DRIVE PEDAL 700 SERIES

REF	PART NO	QTY	DESCRIPTION	NOTES	PAGE
1	A422164	2	HYDR. HOSE L=1240		-
2	A410274	1	HYDR. HOSE L=1120		-
3	A47643	1	HYDR. HOSE L=430 TYPE 087-3/16" JIC6-		-
4	63879	1	CHECK VALVE 9N400S R1/4"-R1/4"	66475 used instead of 63879	-
5	64678	1	BASIC FITTING F40XS6-1/4"		-
6	64060	1	CONNECTOR NIPPLE F64XS10-1/4		-
7	65587	1	ELBOW FITTING 45° UNF 7/16" JIC		-

A446008 HYDRAULIC OIL COOLER ASSEMBLY 500-700



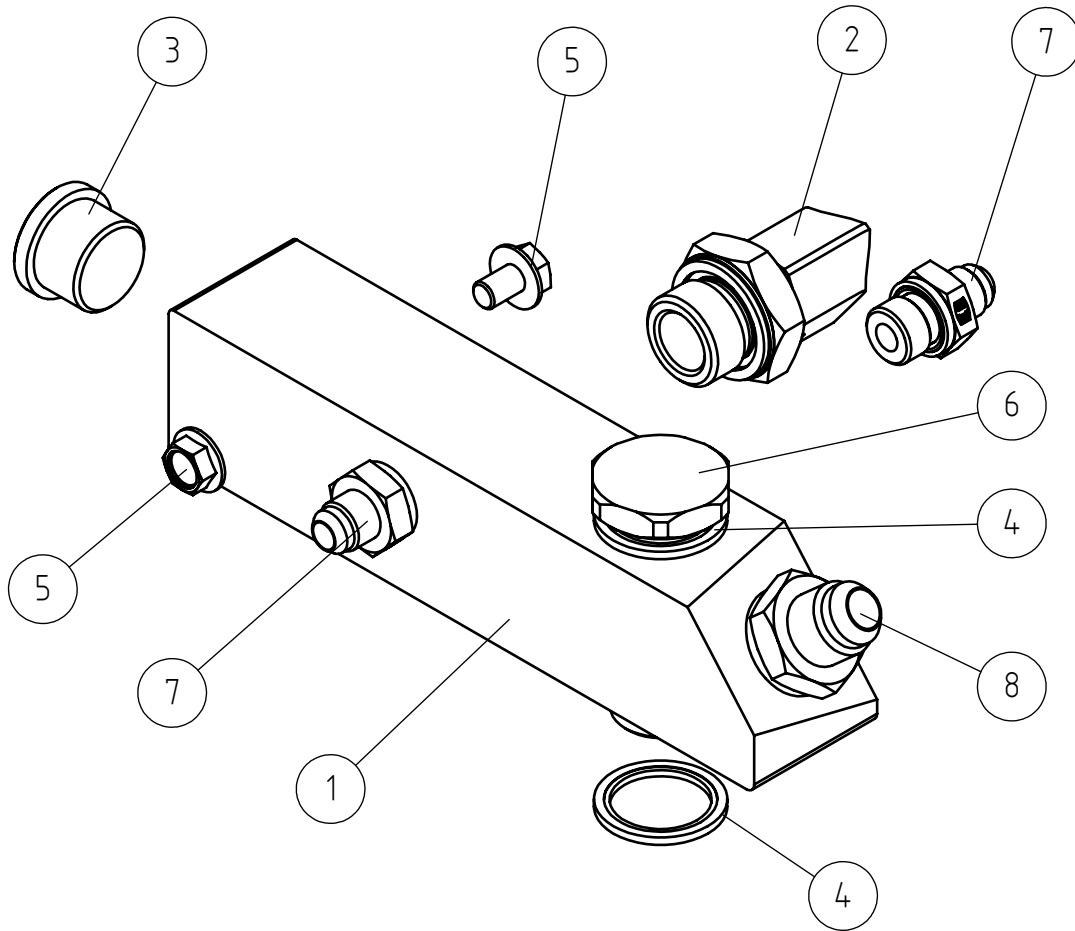
2.2.2024

A446008 HYDRAULIC OIL COOLER ASSEMBLY 500-700

REF	PART NO	QTY	DESCRIPTION	NOTES	PAGE
1	64934	1	OIL COOLER CELL ASA 350*350*45		-
2	65568	1	FAN, HYDRAULIC OIL COOLER COMEX F48-		-
3	A49182	1	INLET HOSE D=20 L=550		-
4	66427	1	HOSE BARB R3/4"UK - 20MM		-
5	73530	1	HOSE CLAMP 22-32 MM		-
6	73039	4	HEXAGONAL SCREW M 8*16 DIN 933 ZN		-
7	72130	4	HEXAGONAL SCREW M8*20		-
8	73122	13	WASHER M8 A8,4 DIN 125 ZN		-
9	A446011	1	BRACKET, UPPER, HYDR. OIL COOLER		-
10	A446012	1	BRACKET, LOWER, HYDR. OIL COOLER		-
11	A449648	1	HYDRAULIC MANIFOLD ASSEMBLY		44
12	A449902	1	MOUNTING BRACKET ACCUMULATOR		-
13	64157	1	SIGNAL HORN COMPLETE		-
14	72319	2	HEXAGONAL NUT M8 DIN 934		-
15	72133	1	HEXAGONAL SCREW M8*30 DIN 933		-
16	A451560	1	BRACKET CONNECTOR PLUG		-

2.2.2024

A449648 HYDRAULIC MANIFOLD ASSEMBLY

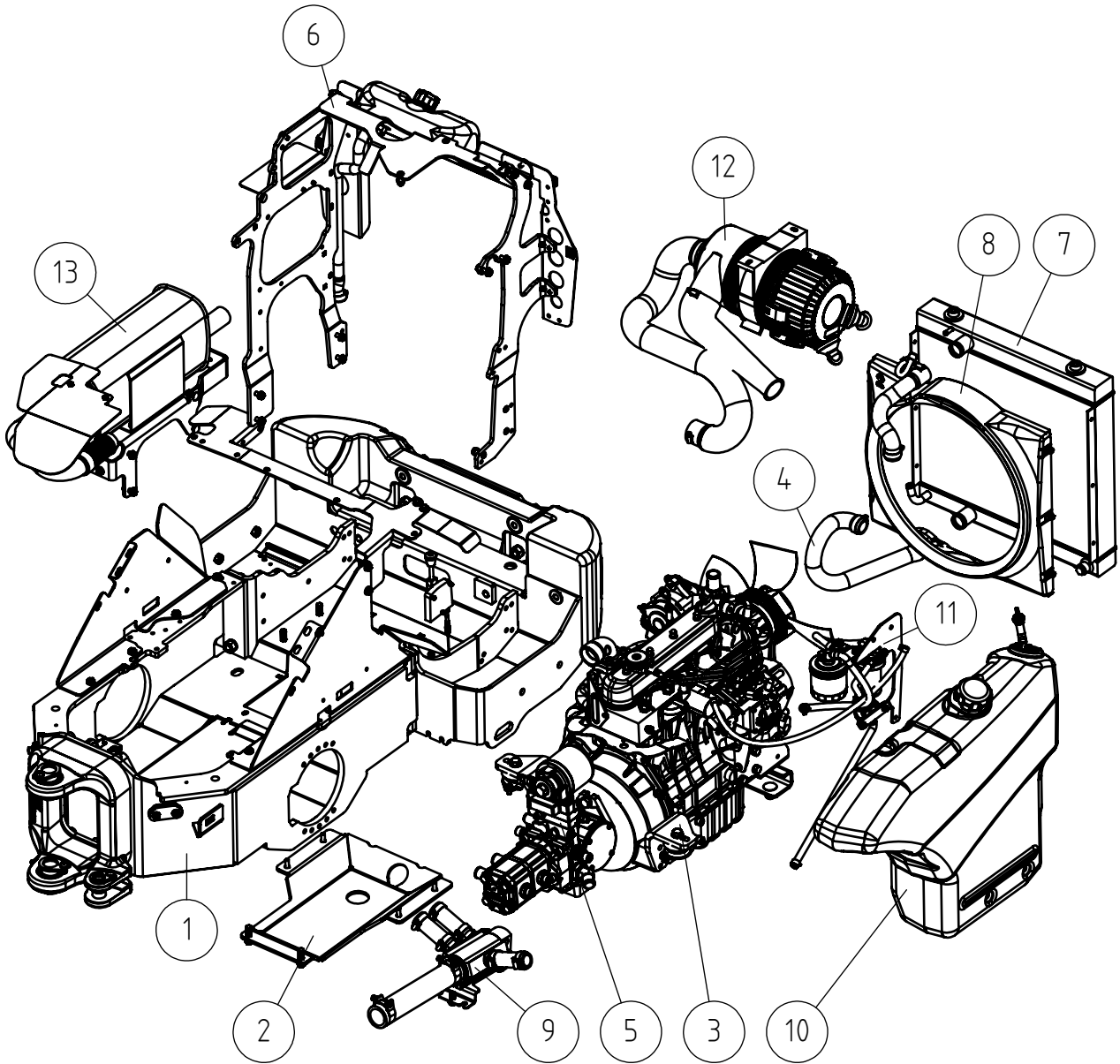


2.2.2024

A449648 HYDRAULIC MANIFOLD ASSEMBLY

REF	PART NO	QTY	DESCRIPTION	NOTES	PAGE
1	A449626	1	HYDRAULIC MANIFOLD TANK LINE		-
2	66281	1	HOSE BARB 90 DEGR R3/4" UK - 20MM		-
3	73768	1	HEXAGONAL PLUG HF-3/4" WITH SEAL		-
4	74976	2	SEAL USIT R3/4" F35,3*F27,0*2,0		-
5	A429197	2	HEXAGONAL SERRATED SCREW M8*12 W. FLANGE		-
6	A449633	1	BANJO BOLT R3/4" TANK LINE		-
7	64041	2	BASIC FITTING F40XS10-3/8 /8		-
8	65060	1	BASIC FITTING F40XS16-1/2		-

A461591 REAR FRAME ASSEMBLY 635, 640 SER3



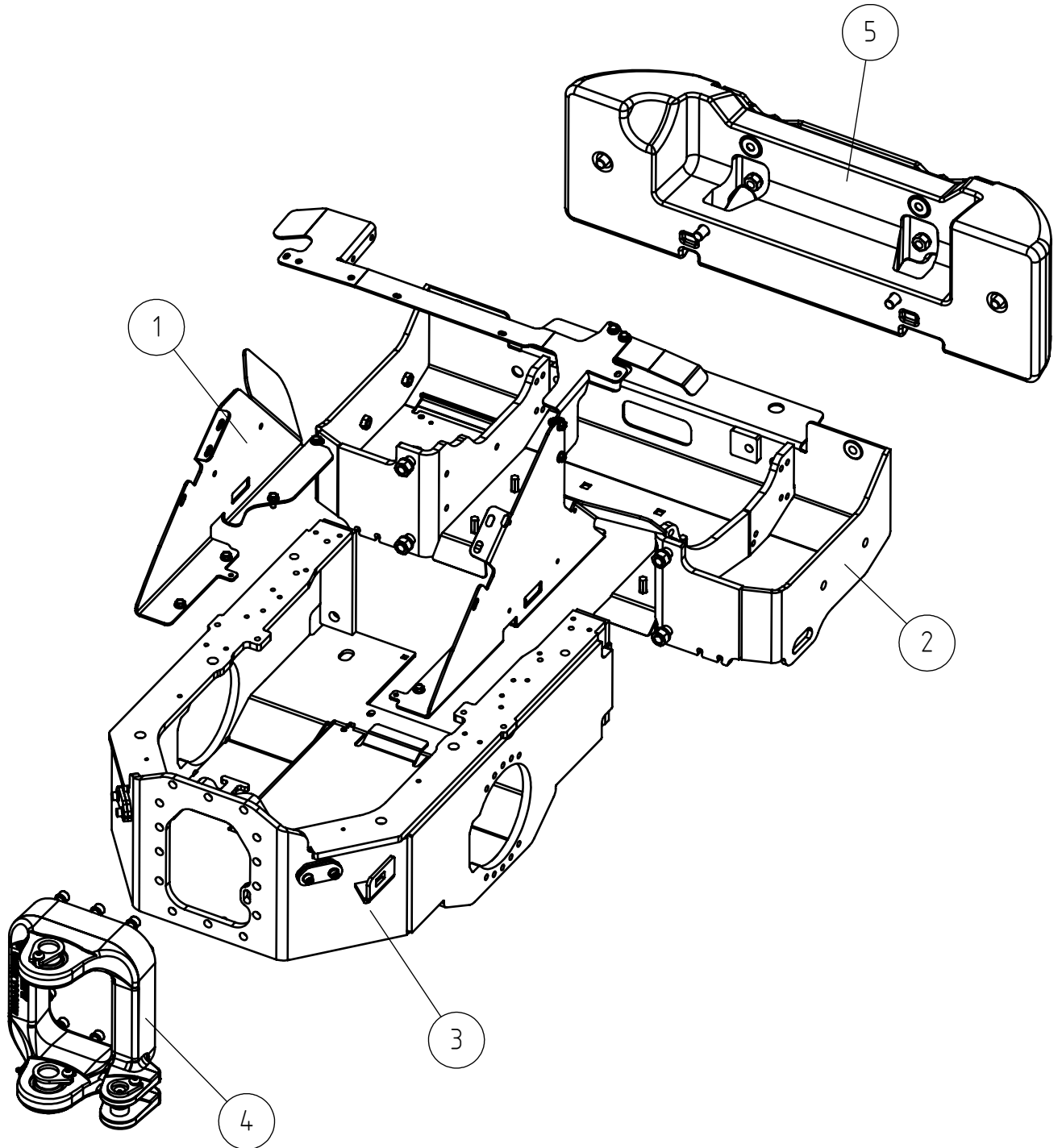
2.2.2024

A461591 REAR FRAME ASSEMBLY 635, 640 SER3

REF	PART NO	QTY	DESCRIPTION	NOTES	PAGE
1	A461493	1	REAR FRAME ASSEMBLY 500-600 SER3		48
2	A461339	1	BOTTOM PLATE ASSEMBLY		62
3	A460850	1	ENGINE V1505 STAGE 3B AVANT 635 / 640		64
4	A461421	1	RADIATOR HOSES ASSEMBLY		68
5	A458167	1	HYDRAULIC PUMPS ASSEMBLY 635I 640I		70
6	A460887	1	MOUNTING FRAME AIR FILTER SER3 ASSEMBLY		74
7	A460889	1	RADIATOR ASSEMBLY		76
8	A461143	1	WIND TUNNEL NO. 2 ASSEMBLY		78
9	A450773	1	HYDRAULIC MANIFOLD WITH HOSES		80
10	A445726	1	FUEL TANK ASSEMBLY 645I/650I		82
11	A455396	1	FUEL FILTERS ASSEMBLY D1105 V1505		84
12	A461593	1	AIR FILTER ASSEMBLY 635-640 SER3		86
13	A461592	1	EXHAUST MUFFLER + PIPE ASSEMBLY 635/640		88

2.2.2024

A461493 REAR FRAME ASSEMBLY 500-600 SER3



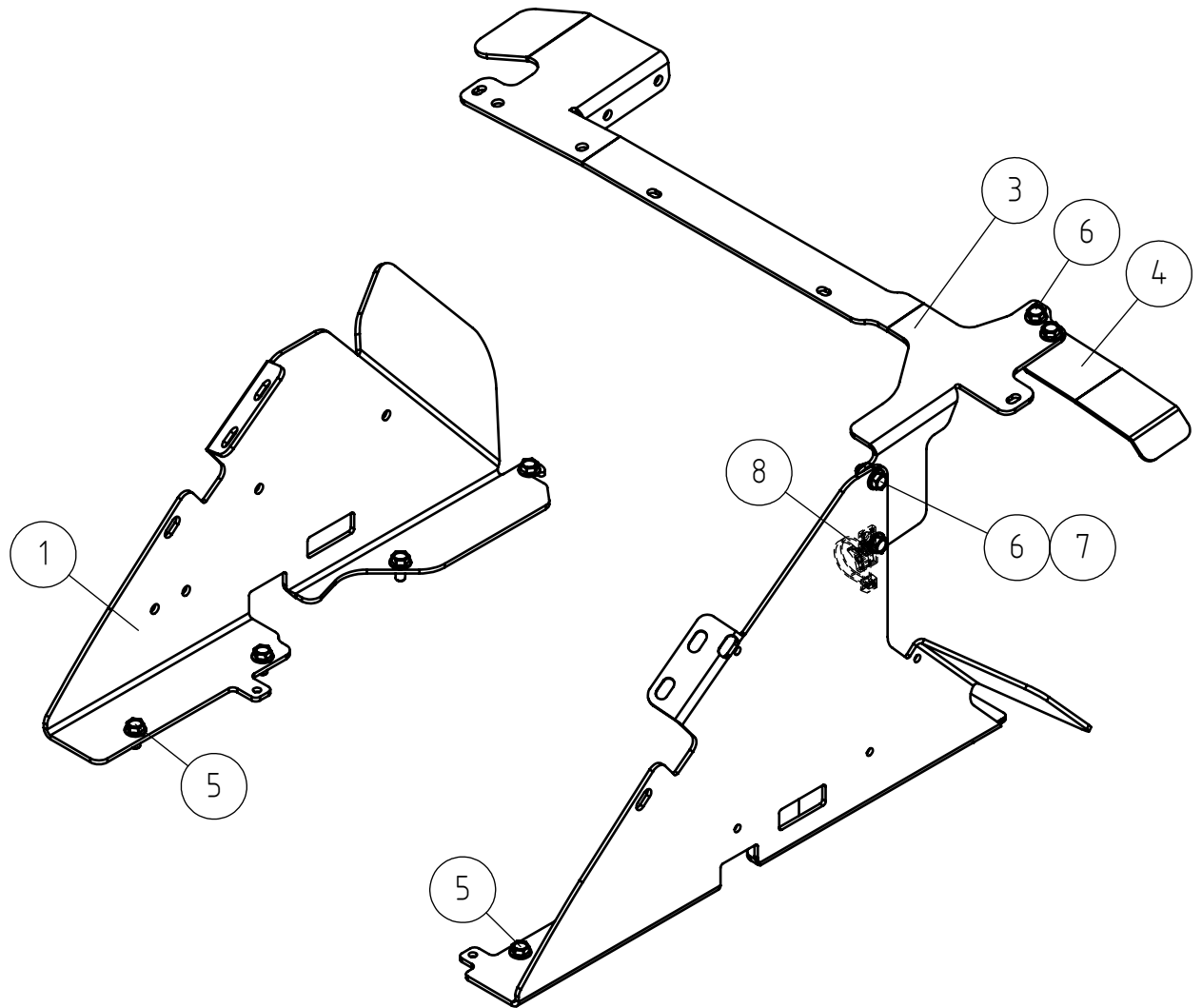
2.2.2024

A461493 REAR FRAME ASSEMBLY 500-600 SER3

REF	PART NO	QTY	DESCRIPTION	NOTES	PAGE
1	A461337	1	SIDE PLATES ASSEMBLY REAR FRAME		50
2	A461333	1	MIDDLE FRAME ASSEMBLY 528-650I		52
3	A461332	1	REAR FRAME FRONT PART ASSEMBLY 400-650I		54
4	A37449	1	ARTICULATION JOINT ASSEMBL REAR FRAME		56
5	A461316	1	REAR WEIGHT (BUMPER) 160KG ASSEMBLY		58

2.2.2024

A461337 SIDE PLATES ASSEMBLY REAR FRAME



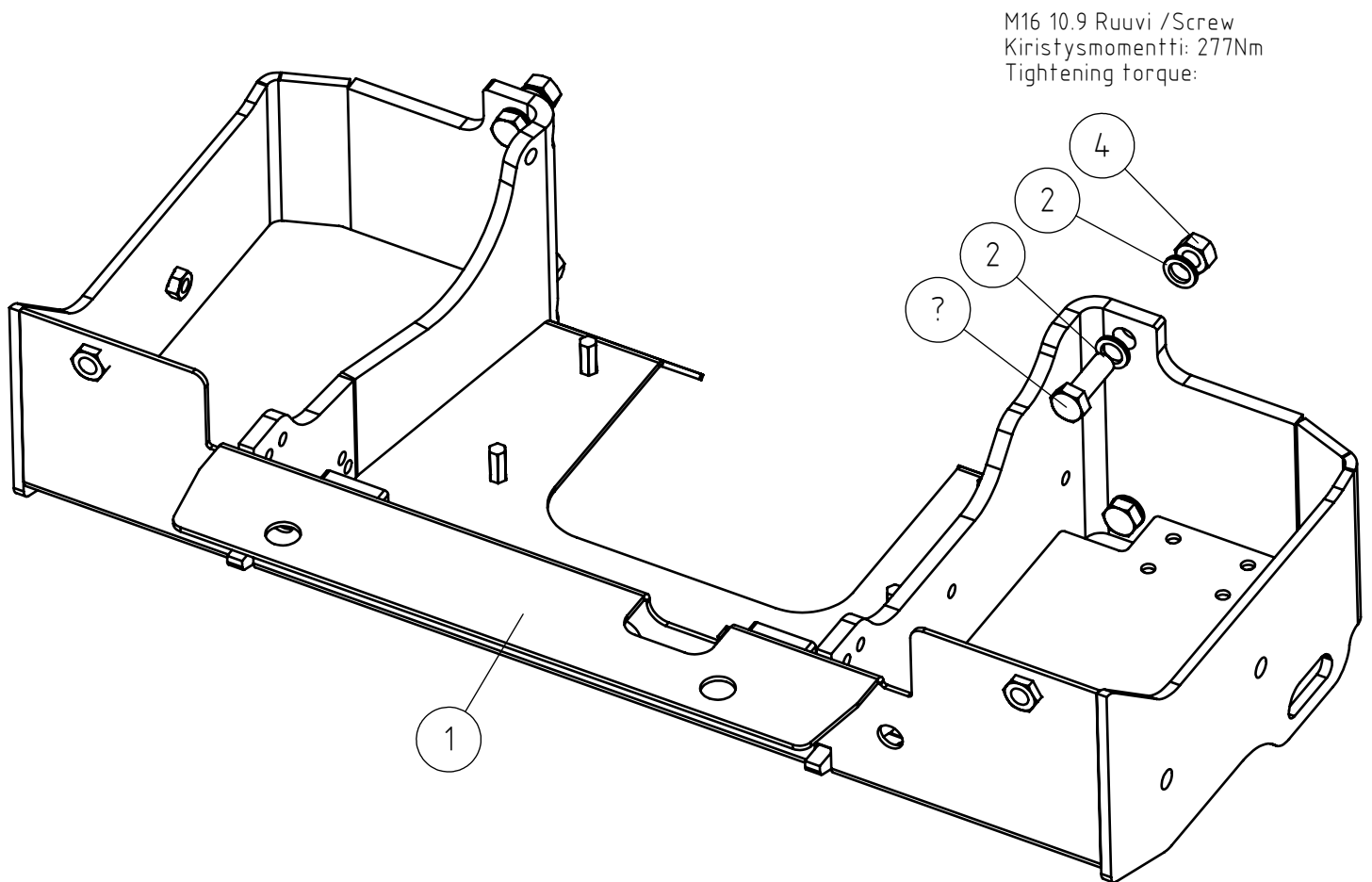
2.2.2024

A461337 SIDE PLATES ASSEMBLY REAR FRAME

REF	PART NO	QTY	DESCRIPTION	NOTES	PAGE
1	A445109	1	SIDE PLATE RIGHT REAR FRAME		-
2	A445435	1	SIDE PLATE LEFT REAR FRAME		-
3	A445634	1	BRACKET COVER PLATE REAR FRAME		-
4	A452483	1	BRACKET FUEL TANK		-
5	A429200	8	HEXAGONAL SERRATED SCREW M8*16 WITH		-
6	A429201	4	HEXAGONAL SERRATED SCREW M8*20 WITH		-
7	A450046	2	HEXAGONAL NUT M8 WITH FLANGE		-
8	A442641	1	CABLE TIE 7,6*390 M8 BLACK		-

2.2.2024

A461333 MIDDLE FRAME ASSEMBLY 528-650I



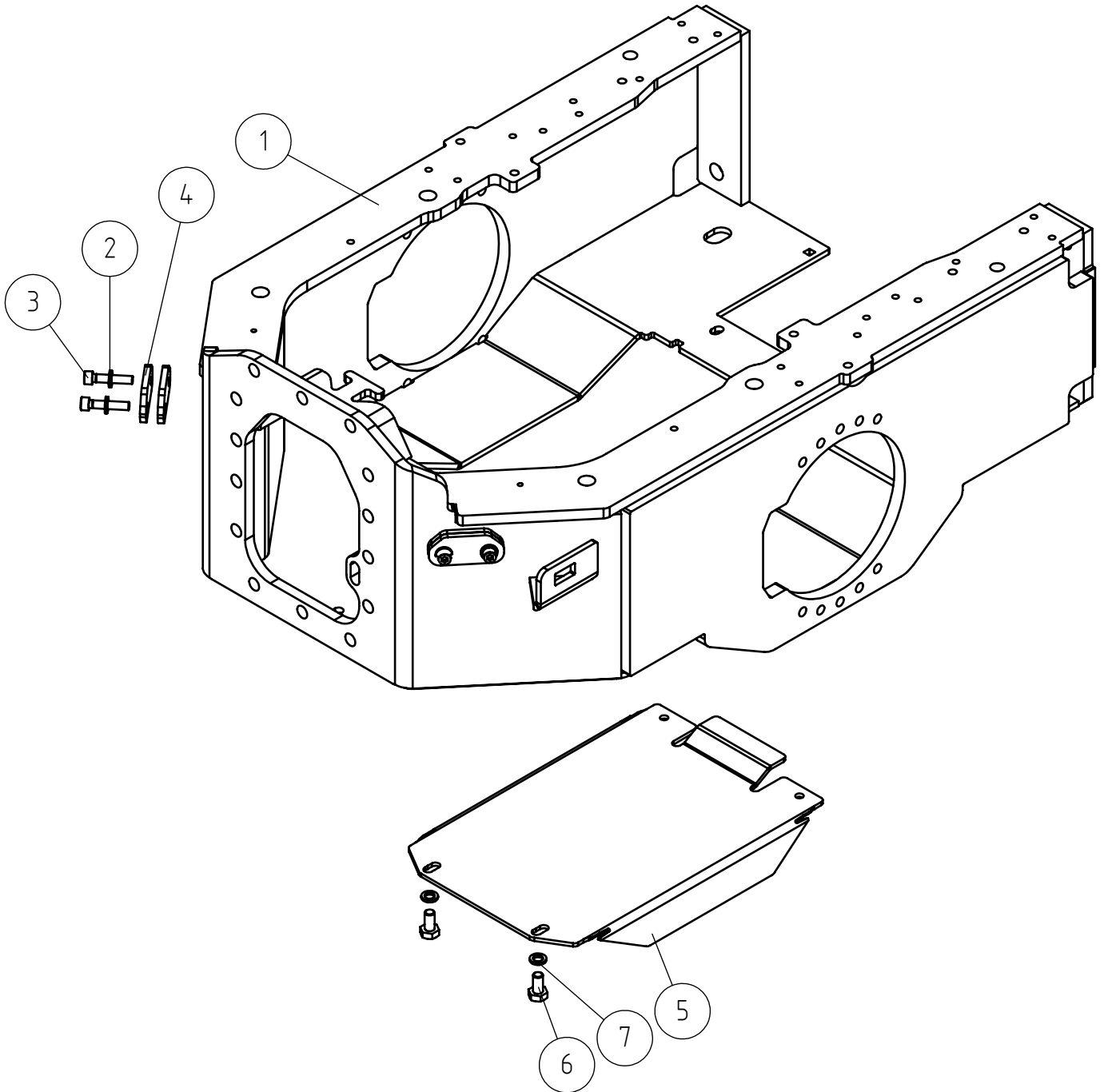
2.2.2024

A461333 MIDDLE FRAME ASSEMBLY 528-650I

REF	PART NO	QTY	DESCRIPTION	NOTES	PAGE
1	A443805	1	BACK FRAME REAR PART		-
2	74533	8	WASHER, PAIR, M16 NL16 NORDLOCK		-
3	A439220	4	HEXAGONAL SCREW M16*45 10.9 DIN 933		-
4	A439252	4	HEXAGONAL NUT M16 10.9 DIN 934		-

2.2.2024

A461332 REAR FRAME FRONT PART ASSEMBLY 400-650I



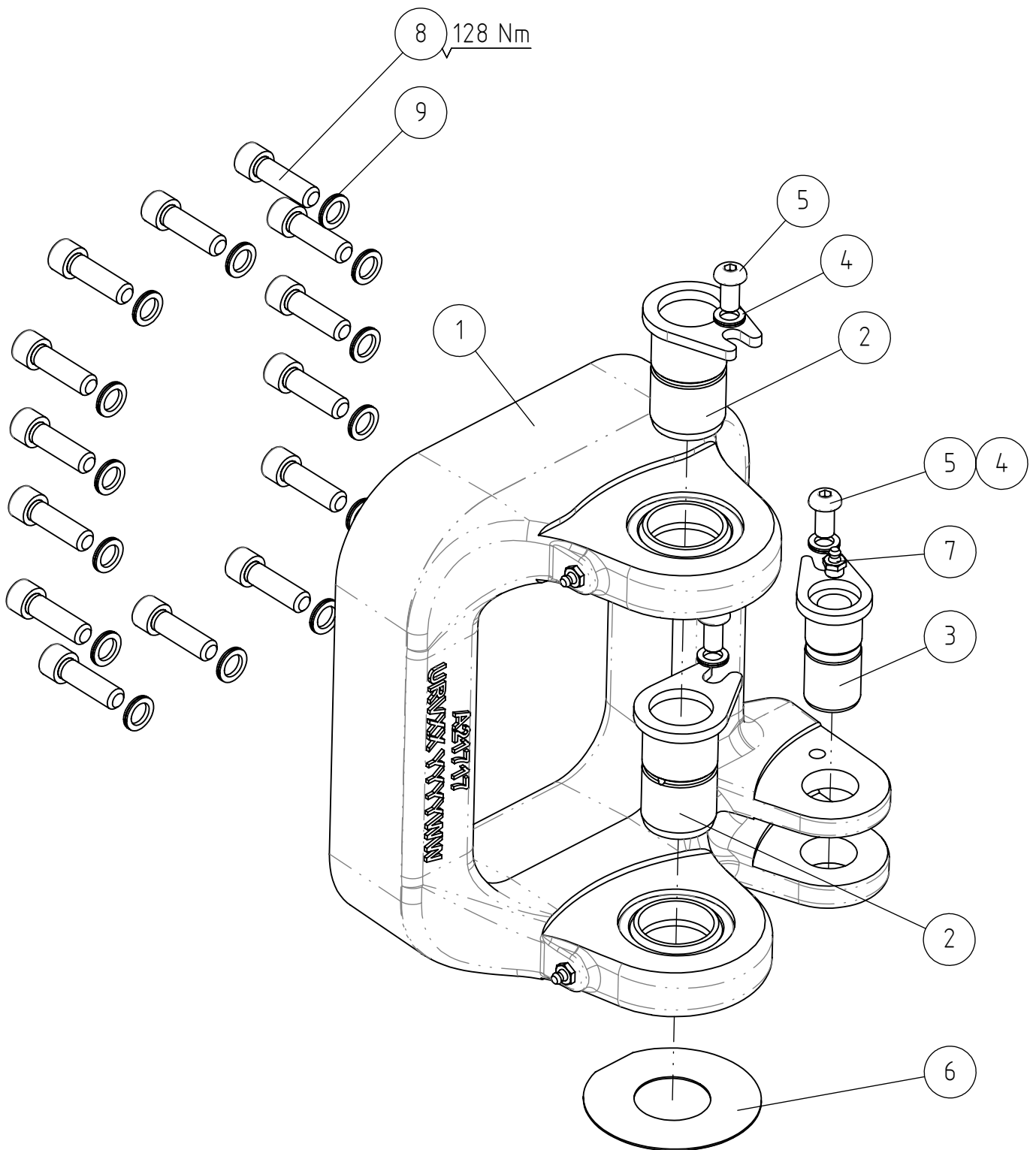
2.2.2024

A461332 REAR FRAME FRONT PART ASSEMBLY 400-650I

REF	PART NO	QTY	DESCRIPTION	NOTES	PAGE
1	A434401	1	REAR FRAME, FRONT PART ASSEMBLY		-
2	63944	4	WASHER, PAIR, NORD-LOCK M8		-
3	74918	4	HEXAGONAL HEAD SCREW M8*40 DIN 912		-
4	A442049	4	STOP PLATE STEERING		-
5	A446658	1	SERVICE HATCH 400-700 SERIES		-
6	73040	2	HEXAGONAL SCREW M10*20 DIN 933 ZN		-
7	74531	2	SPACER NORDLOCK M10, PAIR		-

2.2.2024

A37449 ARTICULATION JOINT ASSEMBL REAR FRAME



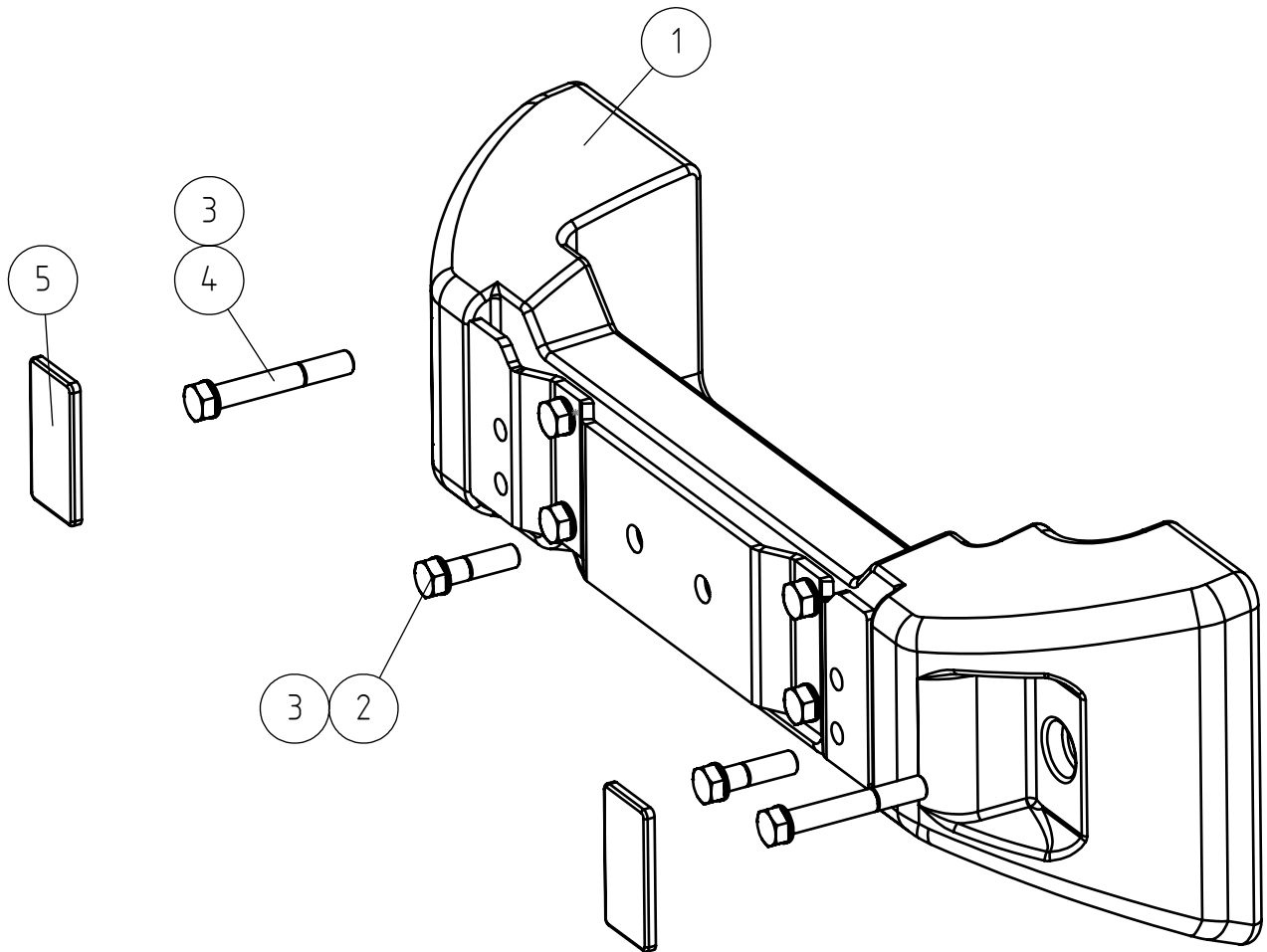
2.2.2024

A37449 ARTICULATION JOINT ASSEMBL REAR FRAME

REF	PART NO	QTY	DESCRIPTION	NOTES	PAGE
1	A444363	1	ARTICULATION JOINT CAST STEEL, ASSEMBLY		-
1.1	64911	2	ARTICUL. BEARING GE40ES F62/40-28(22)		-
2	A47043	2	PIVOT PIN F40-63		-
3	A47655	1	PIVOT PIN F30-60		-
4	74531	3	SPACER NORDLOCK M10, PAIR		-
5	A437915	3	HEXAGONAL HEAD SCREW M10*20 10.9 2		-
6	A48263	1	SHIM RING S=1 MM, ARTICULATION JOINT		-
7	72798	1	GREASE NIPPLE R 1/8" STRAIGHT		-
8	A437018	14	HEXAGONAL HEAD SCREW M12*40 12.9		-
9	74532	14	WASHER NORDLOCK NL12		-

2.2.2024

A461316 REAR WEIGHT (BUMPER) 160KG ASSEMBLY

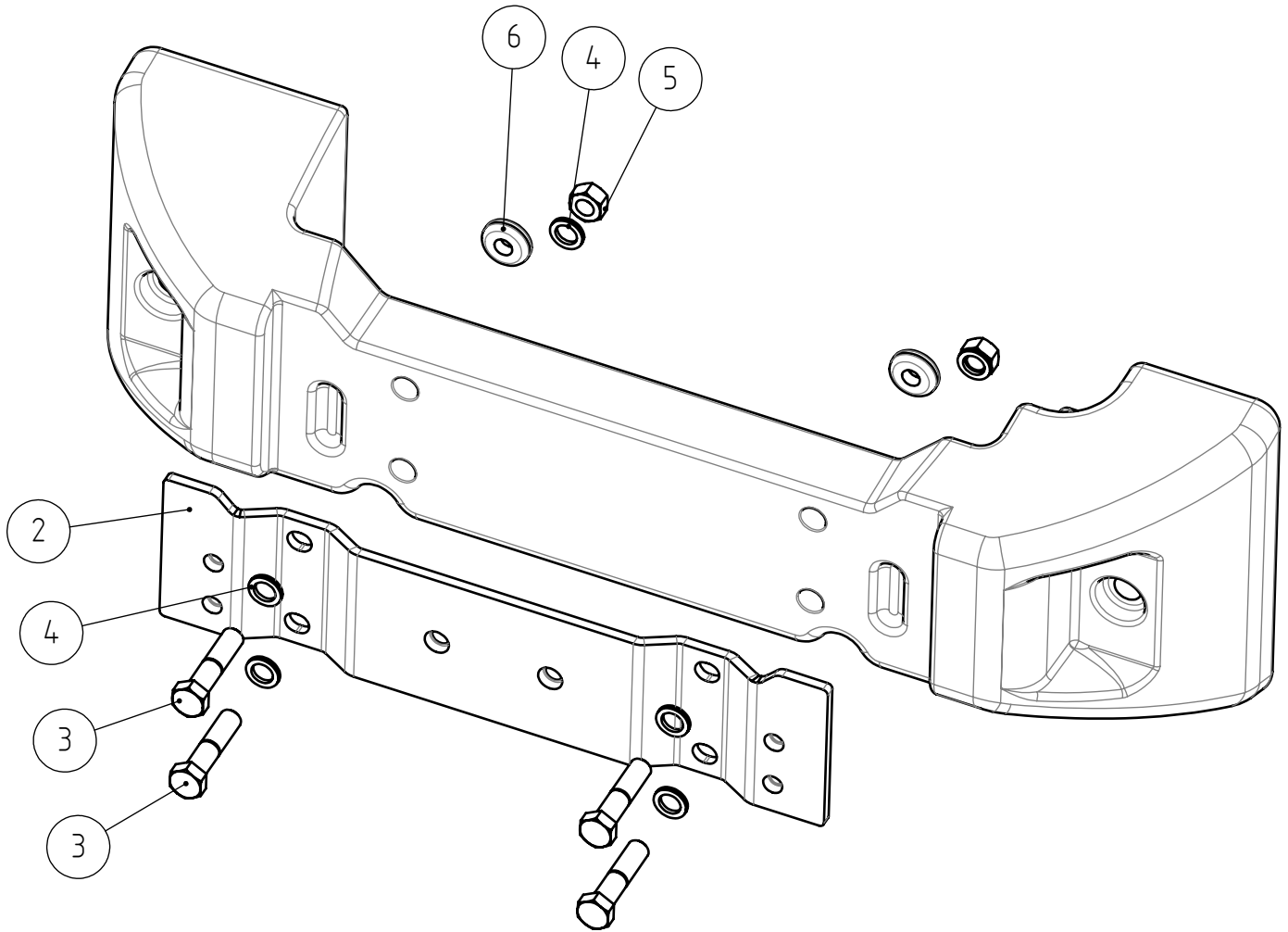


2.2.2024

A461316 REAR WEIGHT (BUMPER) 160KG ASSEMBLY

REF	PART NO	QTY	DESCRIPTION	NOTES	PAGE
1	A36909	1	REAR WEIGHT (BUMPER) 160 KG, ASSEMBLY		60
2	74493	2	HEXAGONAL SCREW M16*60 DIN 931		-
3	74533	4	WASHER, PAIR, M16 NL16 NORDLOCK		-
4	74742	2	HEXAGONAL SCREW M16* 110 DIN 931		-
5	A429366	2	REFLECTOR, RED 105X55X9MM		-

A36909 REAR WEIGHT (BUMPER) 160 KG, ASSEMBLY



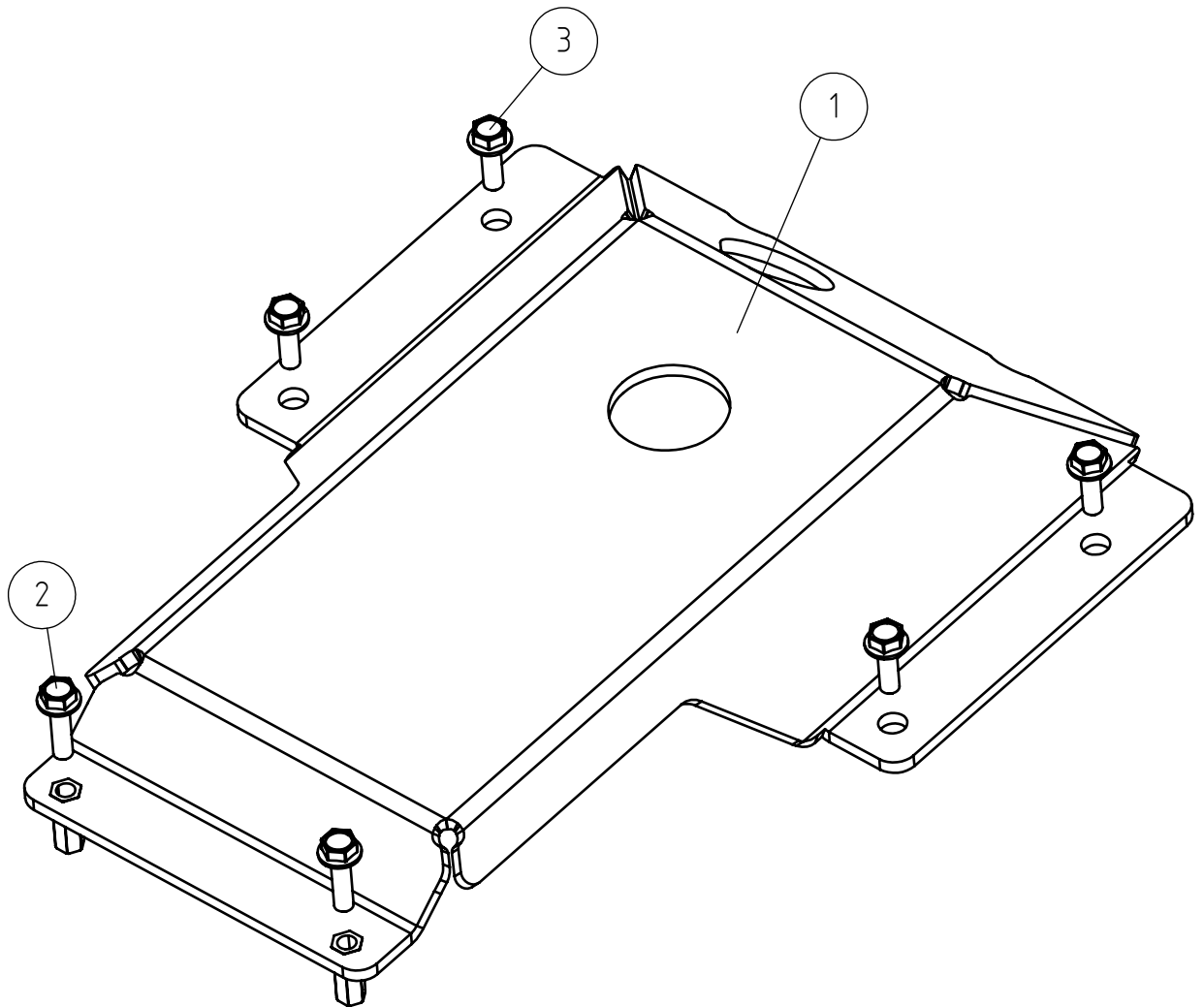
2.2.2024

A36909 REAR WEIGHT (BUMPER) 160 KG, ASSEMBLY

REF	PART NO	QTY	DESCRIPTION	NOTES	PAGE
1	A443369	1	REAR WEIGHT (BUMPER) 155 KG 500/600		-
2	A419683	1	MOUNTING PLATE, BACK WEIGHT 29 KG		-
3	72196	4	HEXAGONAL SCREW M16*70		-
4	74533	6	WASHER, PAIR, M16 NL16 NORDLOCK		-
5	72329	2	HEXAGONAL NUT M 16 DIN 934		-
6	A423105	2	PRESS NUT M16 37 MM		-

2.2.2024

A461339 BOTTOM PLATE ASSEMBLY

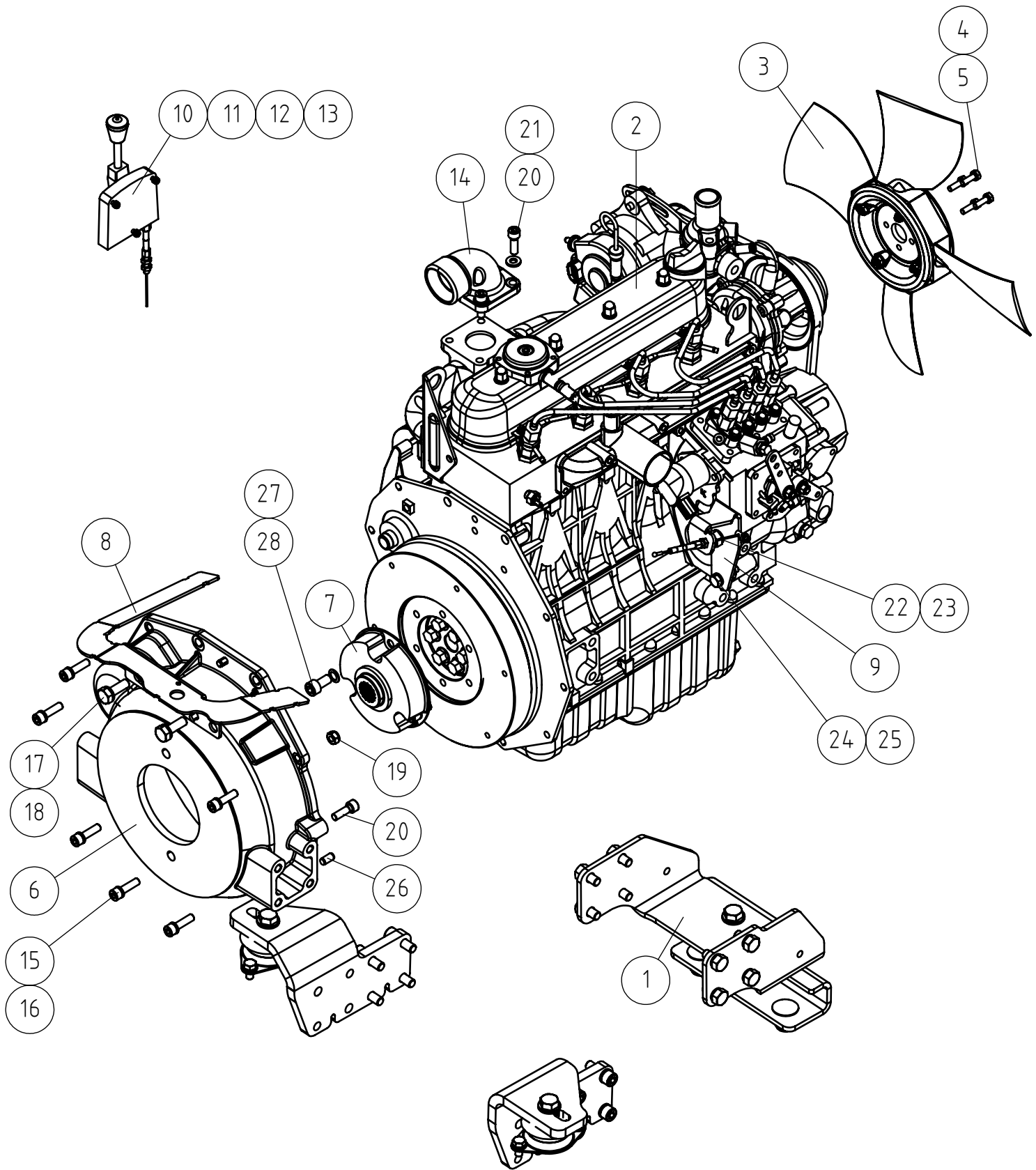


2.2.2024

A461339 BOTTOM PLATE ASSEMBLY

REF	PART NO	QTY	DESCRIPTION	NOTES	PAGE
1	A445313	1	BOTTOM PLATE		-
2	A429203	2	HEXAGONAL SERRATED SCREW M8*30 WITH		-
3	A429202	4	HEXAGONAL SERRATED SCREW M8*25 WITH FLAN		-

A460850 ENGINE V1505 STAGE 3B AVANT 635 / 640



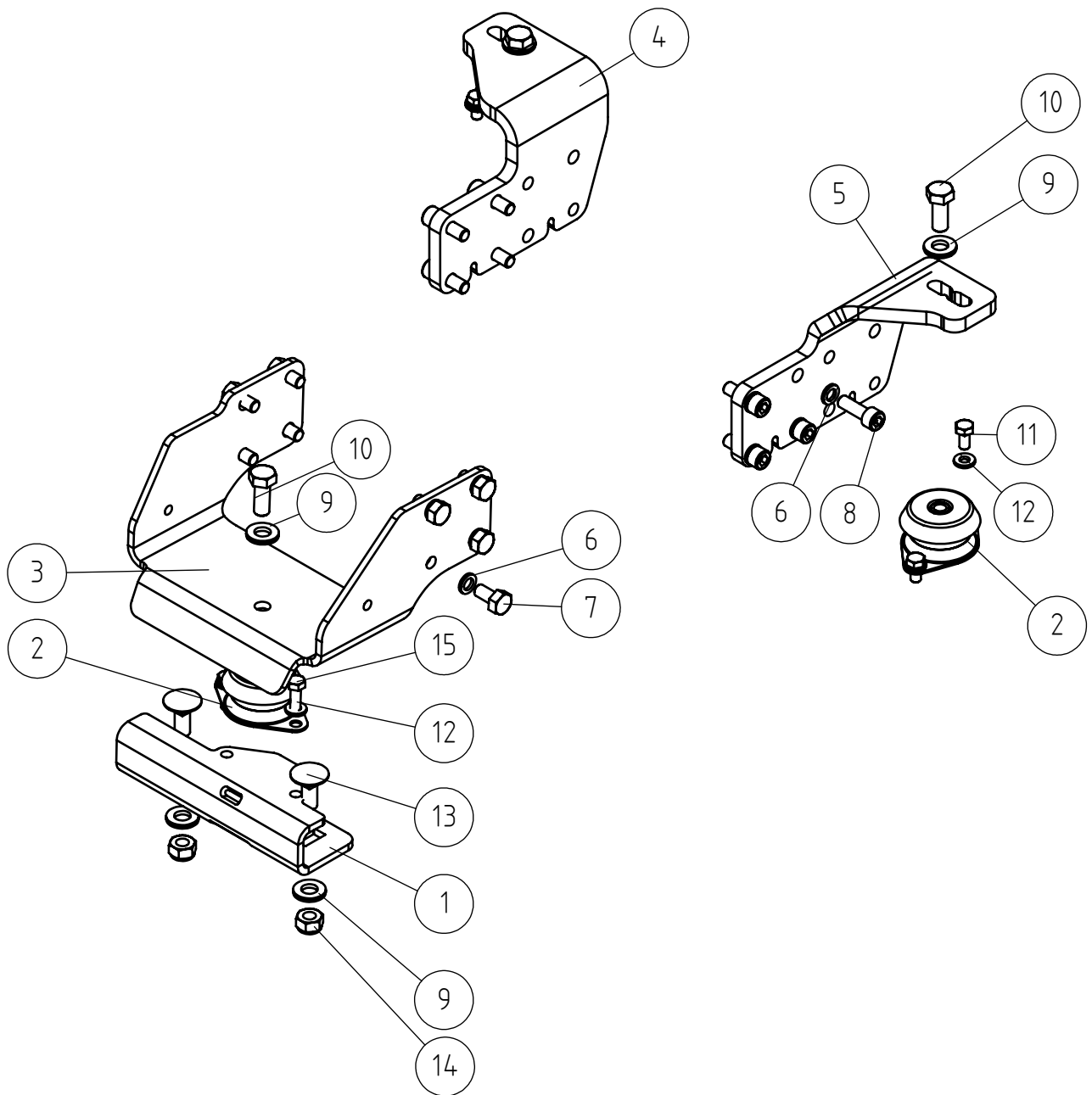
2.2.2024

A460850 ENGINE V1505 STAGE 3B AVANT 635 / 640

REF	PART NO	QTY	DESCRIPTION	NOTES	PAGE
1	A460826	1	ENGINE MOUNTS ASSEMBLY D1105/V1505		66
2	A461370	1	DIESEL ENGINE KUBOTA V1505-E2B-AVN-1		-
3	66450	1	FAN F380, 4 BLADE		-
4	74530	4	WASHER NORDLOCK NL6		-
5	72118	4	HEXAGONAL SCREW M6*20 DIN 933		-
6	A447377	1	FLYWHEEL HOUSING KUBOTA 05 SAE B		-
7	A432900	1	COUPLING Z=15 S=39		-
8	A454865	1	MOUNTING BRACKET WIRE HARNESS ENGINE		-
9	A47999	1	BRACKET, GAS WIRE		-
10	A459425	1	HAND THROTTLE WITH GAS WIRE L=2700MM		-
11	74582	3	CROSS-SLOT COUNTERSUNK HEAD SCREW M4*25		-
12	72313	3	HEXAGONAL NUT M4 DIN 985 NYLOC		-
13	74415	1	SCREW NIPPLE 128.244 S&N 2.35.0000.208		-
14	A457287	1	ADAPTER TUBE EXHAUST MUFFLER D902 D1105		-
15	73100	6	HEXAGONAL HEAD SCREW M8*30 DIN 912 2		-
16	75100	7	SPACER NORDLOCK M8 NL8, PAIR		-
17	A433246	2	HEXAGONAL SCREW M10*1,25*30 DIN 961		-
18	73612	2	WASHER M10 DIN 127		-
19	72320	2	HEXAGONAL NUT M8 NYLOC DIN 985		-
20	71884	5	HEXAGONAL HEAD SCREW M 8*25 DIN 912 2		-
21	63944	4	WASHER, PAIR, NORD-LOCK M8		-
22	74789	1	HEXAGONAL SCREW M10*1,25-20		-
23	74531	1	SPACER NORDLOCK M10, PAIR		-
24	72133	1	HEXAGONAL SCREW M8*30 DIN 933		-
25	73962	1	WASHER M 8 DIN 127		-
26	A433236	1	DOWEL PIN H8*16 DIN 7		-
27	A434424	3	SAFETY WASHER M10 3/8"		-
28	A433247	3	HEXAGONAL HEAD SCREW M10*1,25*20 DIN 961		-

2.2.2024

A460826 ENGINE MOUNTS ASSEMBLY D1105/V1505



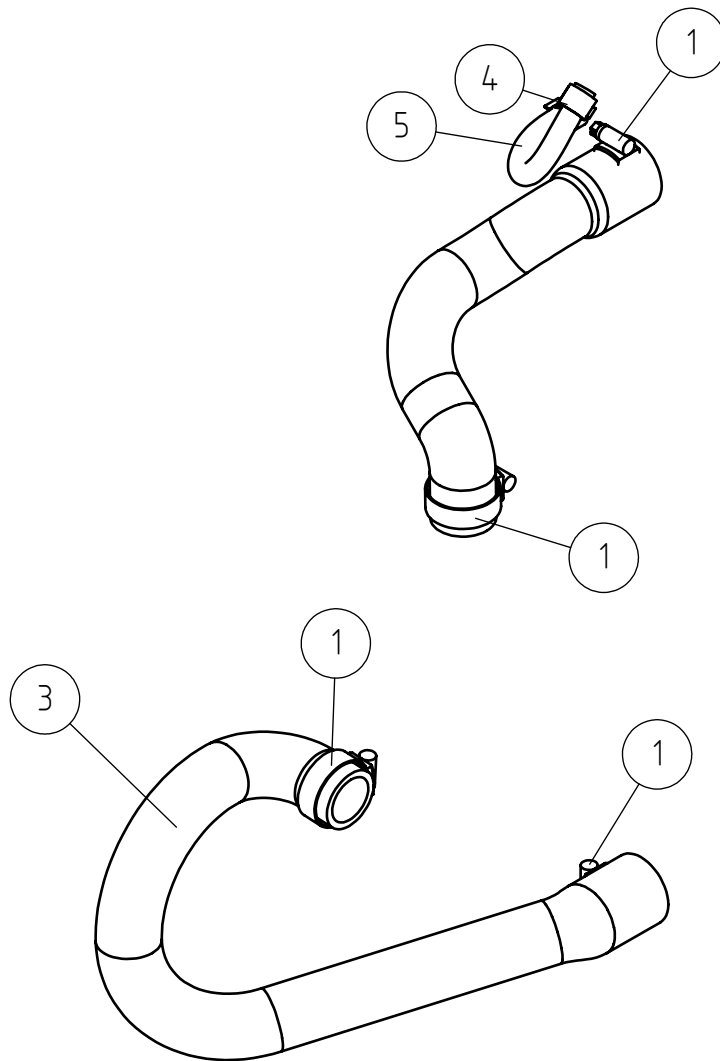
2.2.2024

A460826 ENGINE MOUNTS ASSEMBLY D1105/V1505

REF	PART NO	QTY	DESCRIPTION	NOTES	PAGE
1	A457086	1	MOUNTING BRACKET VIBRATION DAMPER		-
2	64843	3	ENGINE MOUNT NOVIBRA M12 - 2*F8,5		-
3	A457101	1	MOUNTING BRACKET ENGINE, REAR , 528-530		-
4	A445560	1	MOUNTING BRACKET LEFT ENGINE V1505		-
5	A445561	1	MOUNTING BRACKET RIGHT ENGINE V1505		-
6	74531	16	SPACER NORDLOCK M10, PAIR		-
7	74789	8	HEXAGONAL SCREW M10*1,25-20		-
8	A450915	8	HEXAGONAL HEAD SCREW M10X1,25X30 DIN 912		-
9	A430999	5	WASHER, PAIR, M12 NORDLOCK		-
10	72167	3	HEXAGONAL SCREW M12*30 DIN 933		-
11	73039	4	HEXAGONAL SCREW M 8*16 DIN 933 ZN		-
12	63944	8	WASHER, PAIR, NORD-LOCK M8		-
13	74683	2	CARRIAGE BOLT M12*30 DIN603 ZN		-
14	72324	2	HEXAGONAL NUT M 12 NYLOC DIN 985		-
15	72132	2	HEXAGONAL SCREW M 8*25 DIN 933 ZN		-
16	72320	2	HEXAGONAL NUT M8 NYLOC DIN 985		-

2.2.2024

A461421 RADIATOR HOSES ASSEMBLY



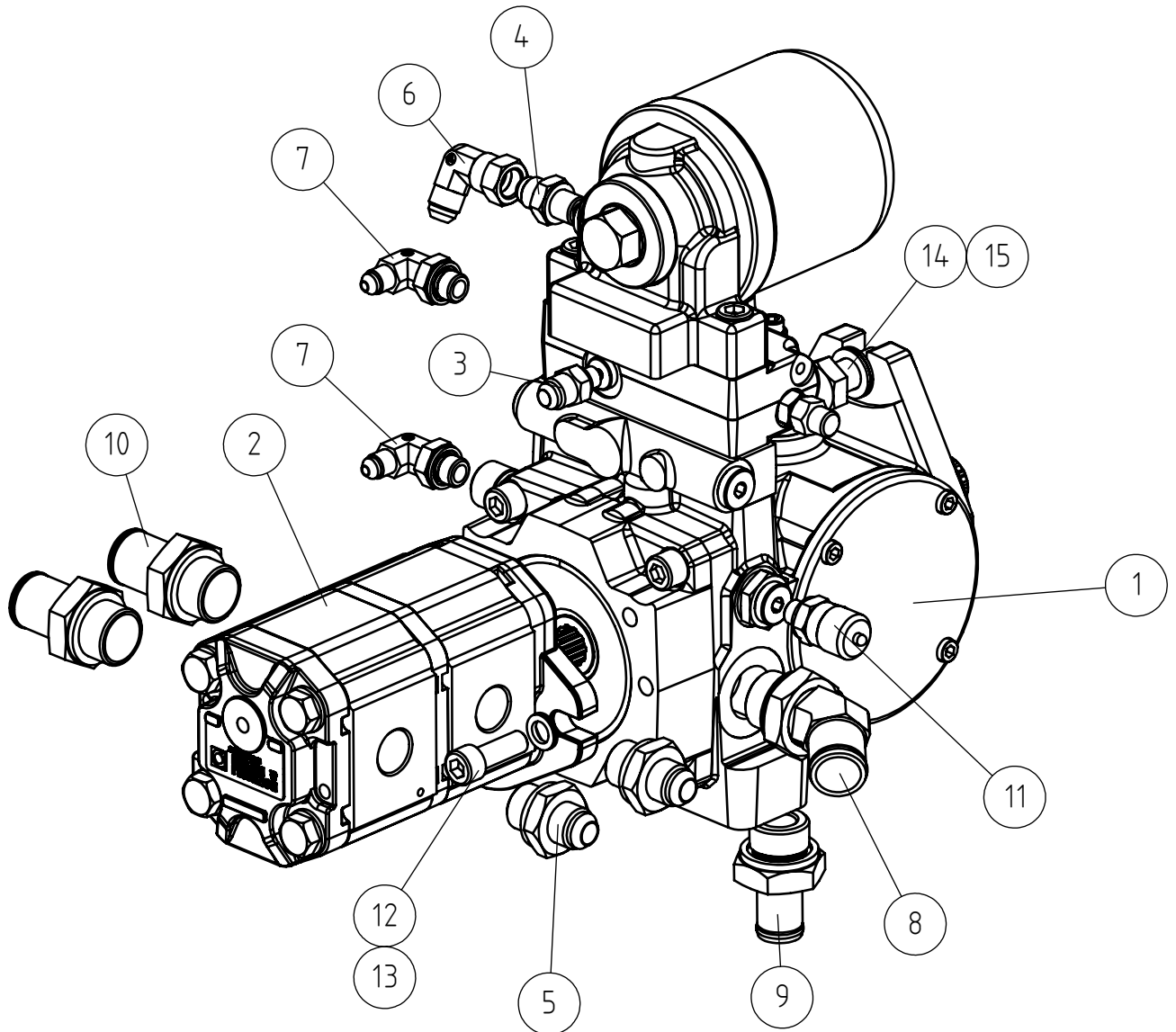
2.2.2024

A461421 RADIATOR HOSES ASSEMBLY

REF	PART NO	QTY	DESCRIPTION	NOTES	PAGE
1	73809	4	HOSE CLAMP 32-44 MM		-
2	A455607	1	RADIATOR HOSE UPPER D1105/V1505		-
3	A445074	1	RADIATOR HOSE LOWER KUBOTA		-
4	A453015	2	SPRING BAND HOSE CLAMP D13,5 DIN 3021		-
5	A450341	1	WATER HOSE L=180		-

2.2.2024

A458167 HYDRAULIC PUMPS ASSEMBLY 635I 640I



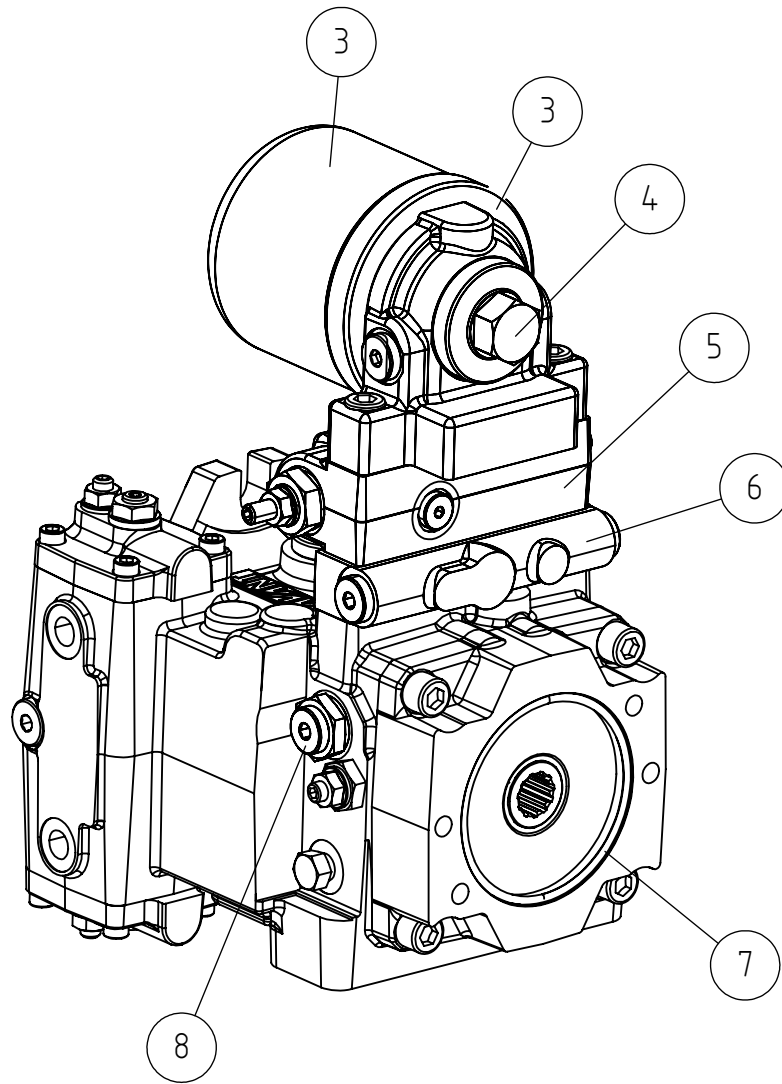
2.2.2024

A458167 HYDRAULIC PUMPS ASSEMBLY 635I 640I

REF	PART NO	QTY	DESCRIPTION	NOTES	PAGE
1	A449801	1	VARIABLE DISPL. PUMP 26CC+9CC 370 BAR		72
2	64916	1	HYDRAULIC PUMP B&P 11+11CM3		-
3	64346	1	BASIC FITTING F40XS10-1/8"		-
4	64059	1	BASIC FITTING F40XS10-1/4		-
5	64058	2	BASIC FITTING F40XS12-1/2		-
6	64043	1	ELBOW FITTING 90° C6XS10		-
7	64687	2	ELBOW FITTING 90° C40XS6-1/4"		-
8	66362	1	HOSE BARB 45° R3/4"UK - 25MM		-
9	66427	1	HOSE BARB R3/4"UK - 20MM		-
10	66107	2	HOSE BARB R3/4"UK - 25 MM L=58		-
11	65559	2	MANOMETER FITTING M16*2		-
12	74467	2	HEXAGONAL HEAD SCREW M10* 30 DIN 912		-
13	74531	2	SPACER NORDLOCK M10, PAIR		-
14	74511	2	HEXAGONAL SCREW M14* 30 DIN 933		-
15	74690	2	WASHER NORDLOCK M14 NL14		-

2.2.2024

A449801 VARIABLE DISPL. PUMP 26CC+9CC 370 BAR



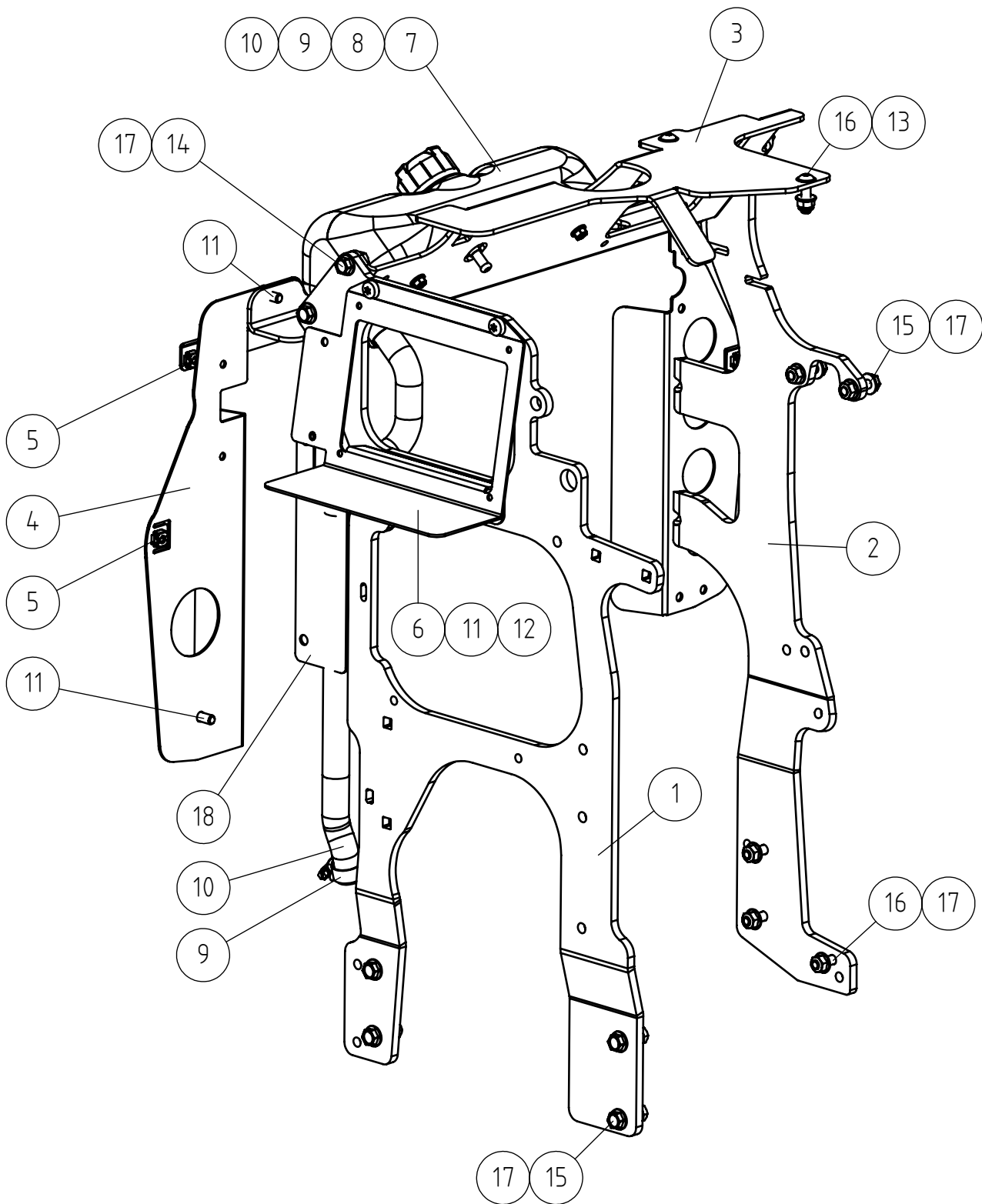
2.2.2024

A449801 VARIABLE DISPL. PUMP 26CC+9CC 370 BAR

REF	PART NO	QTY	DESCRIPTION	NOTES	PAGE
1	A449801	1	VARIABLE DISPL. PUMP 26CC+9CC 370 BAR		72
2	A451003	1	MOUNTING BRACKET PRESSURE FILTER		-
3	64807	1	PRESSURE FILTER, HYDR. B&P 539047001		-
4	66414	1	FASTENING BOLT PRESSURE FILTER BONDIOLI		-
5	A451014	1	POWER LIMITER 2-WAY VARIABLE DISPL. PUMP		-
6	A451016	1	FLUSHING VALVE VARIABLE DISPL. PUMP		-
7	A442619	1	O-RING Ø 82,22X2,62 90 SH VARIABLE		-
8	66165	2	PRESSURE RELIEF CARTRIDGE 370BAR		-
9	A430053	1	SEAL KIT, HYDRAULIC PUMP M4PV21-		-

2.2.2024

A460887 MOUNTING FRAME AIR FILTER SER3 ASSEMBLY



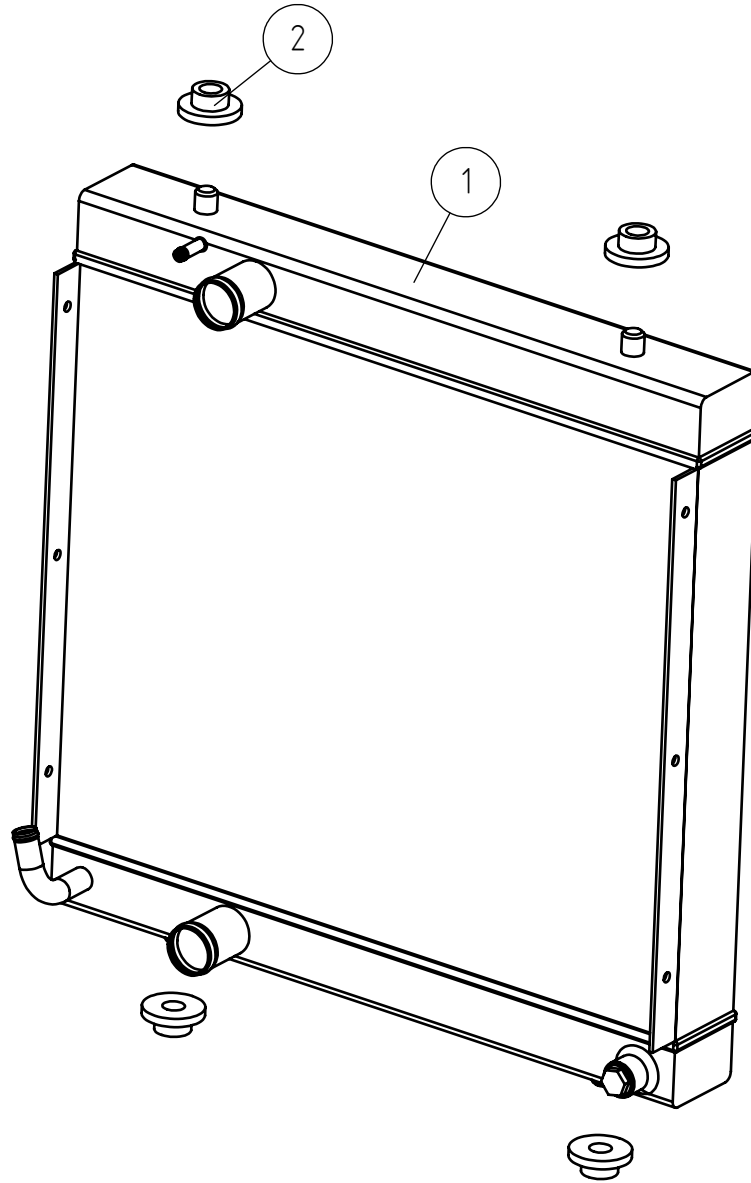
2.2.2024

A460887 MOUNTING FRAME AIR FILTER SER3 ASSEMBLY

REF	PART NO	QTY	DESCRIPTION	NOTES	PAGE
1	A449537	1	SIDE PLATE RIGHT AIR FILTER HOUSING		-
2	A444365	1	SIDE PLATE LEFT AIR FILTER HOUSING		-
3	A444433	1	BRACKET AIR FILTER		-
4	A444462	1	COUNTER PLATE REAR GRILLE		-
5	A450351	4	CAGE NUT M6 M6 S=1.7...2.7		-
6	A449559	1	MOUNTING BRACKET FUSE BOX		-
7	A444588	1	OVERFLOW TANK ASSEMBLY		-
8	A431968	2	HEXAGONAL SERRATED SCREW M6*12 WITH		-
9	73530	2	HOSE CLAMP 22-32 MM		-
10	A449654	1	WATER HOSE OVERFLOW TANK		-
11	A442270	7	THREAD-FORMING SCREW M8*16 DIN 7500C		-
12	75129	2	THREAD-FORMING SCREW M6*16 DIN 7500C		-
13	A447717	2	HEXAGONAL NUT M8 NYLOC DIN 6926		-
14	A429201	4	HEXAGONAL SERRATED SCREW M8*20 WITH		-
15	A429203	6	HEXAGONAL SERRATED SCREW M8*30 WITH		-
16	A439829	5	HEXAGONAL HEAD SCREW M8*30 10.9 2		-
17	A450046	13	HEXAGONAL NUT M8 WITH FLANGE		-
18	A462876	1	HEAT SHIELD RADIATOR		-

2.2.2024

A460889 RADIATOR ASSEMBLY



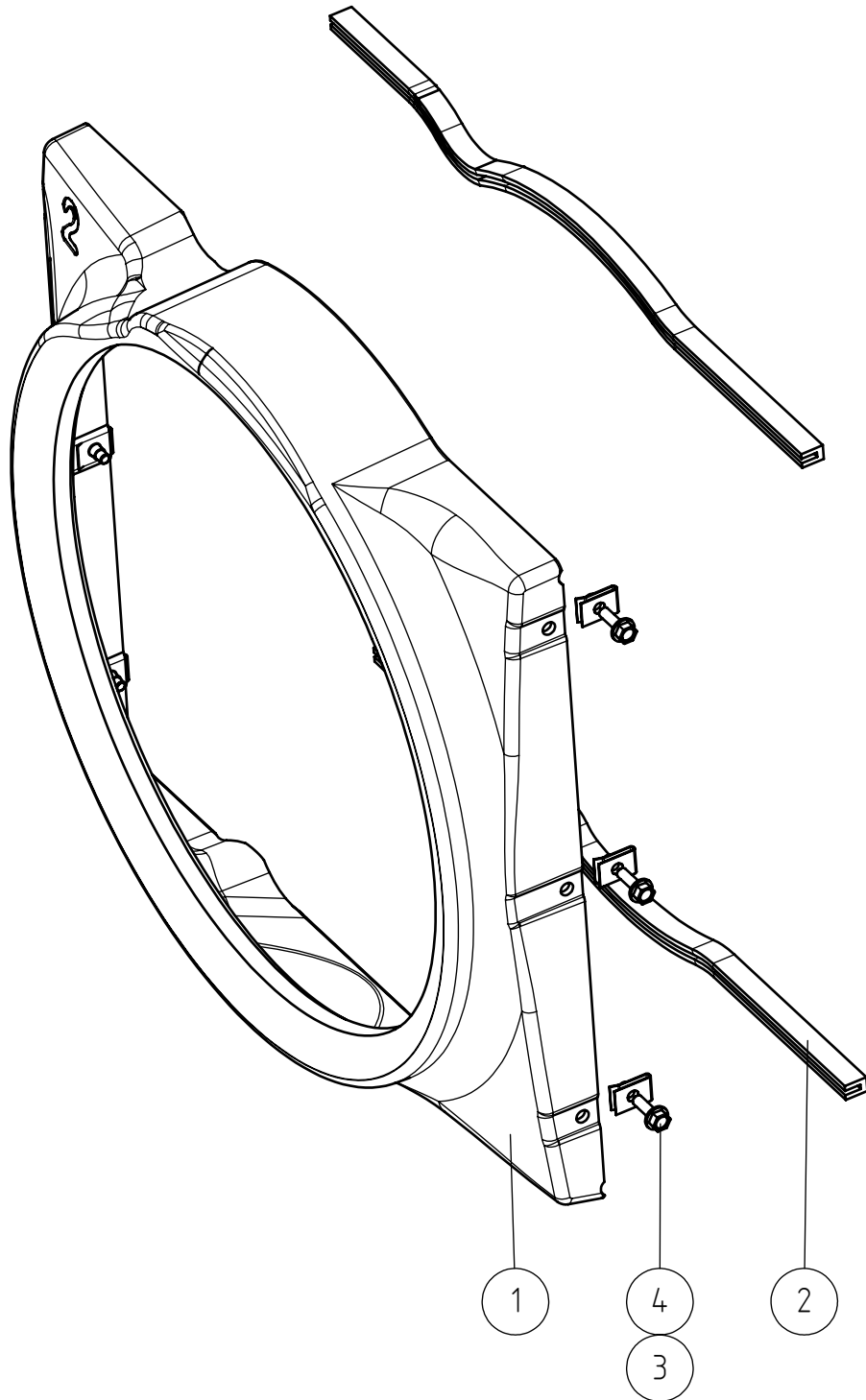
2.2.2024

A460889 RADIATOR ASSEMBLY

REF	PART NO	QTY	DESCRIPTION	NOTES	PAGE
1	A443473	1	RADIATOR KUBOTA/KOHLER		-
2	A420381	4	VIBRATION DAMPER RUBBER RADIATOR		-

2.2.2024

A461143 WIND TUNNEL NO. 2 ASSEMBLY

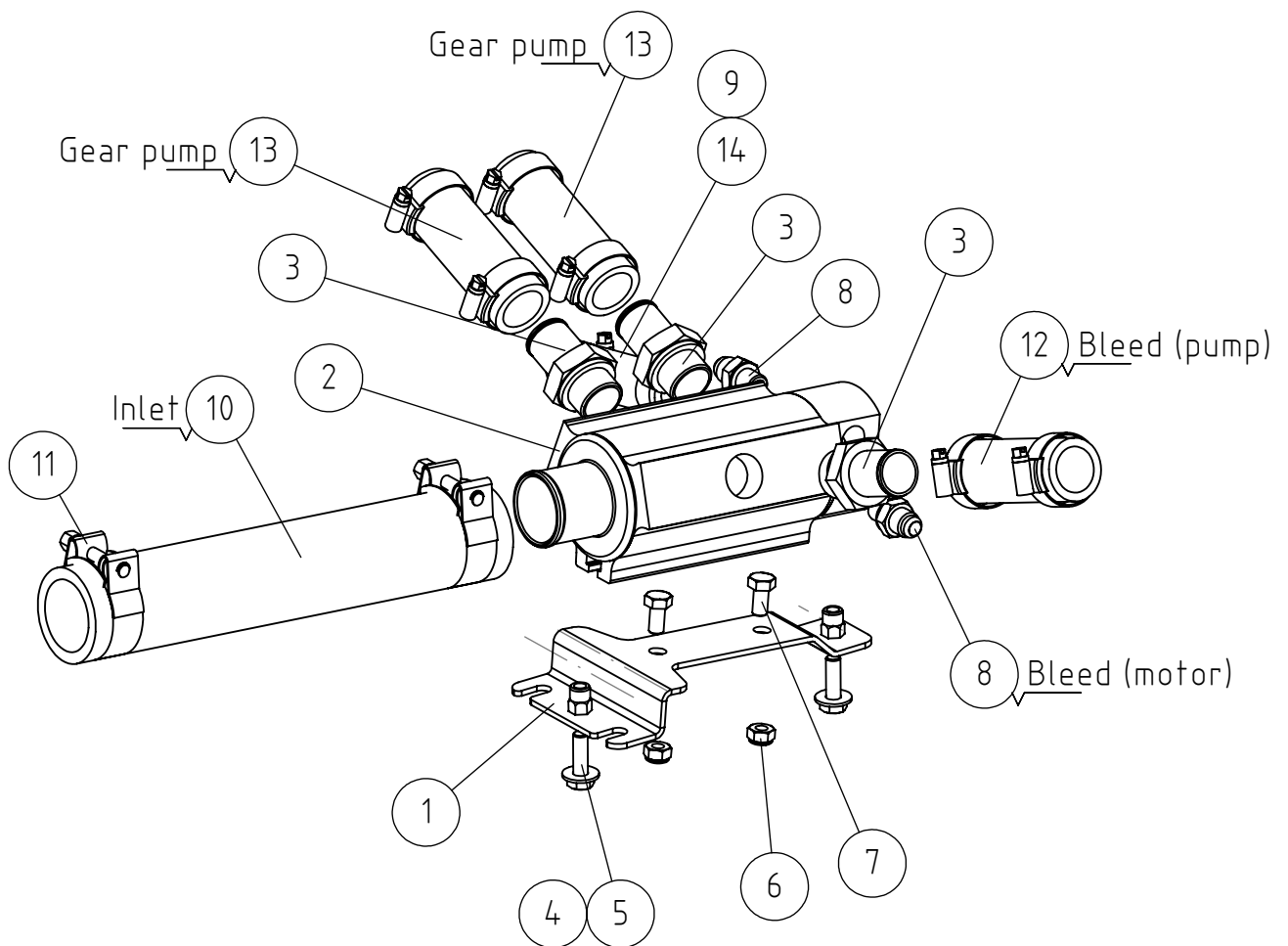


2.2.2024

A461143 WIND TUNNEL NO. 2 ASSEMBLY

REF	PART NO	QTY	DESCRIPTION	NOTES	PAGE
1	A443060	1	WIND TUNNEL 635 640 735 745 750		-
2	A438764	1	EDGE STRIP WIND TUNNEL KOHLER KDI		-
3	74807	6	SPEED NUT M6, FOR 0.5-4.0 MM PLATE		-
4	A431349	6	HEXAGONAL SERRATED SCREW M6*20 W. FLANG		-

A450773 HYDRAULIC MANIFOLD WITH HOSES

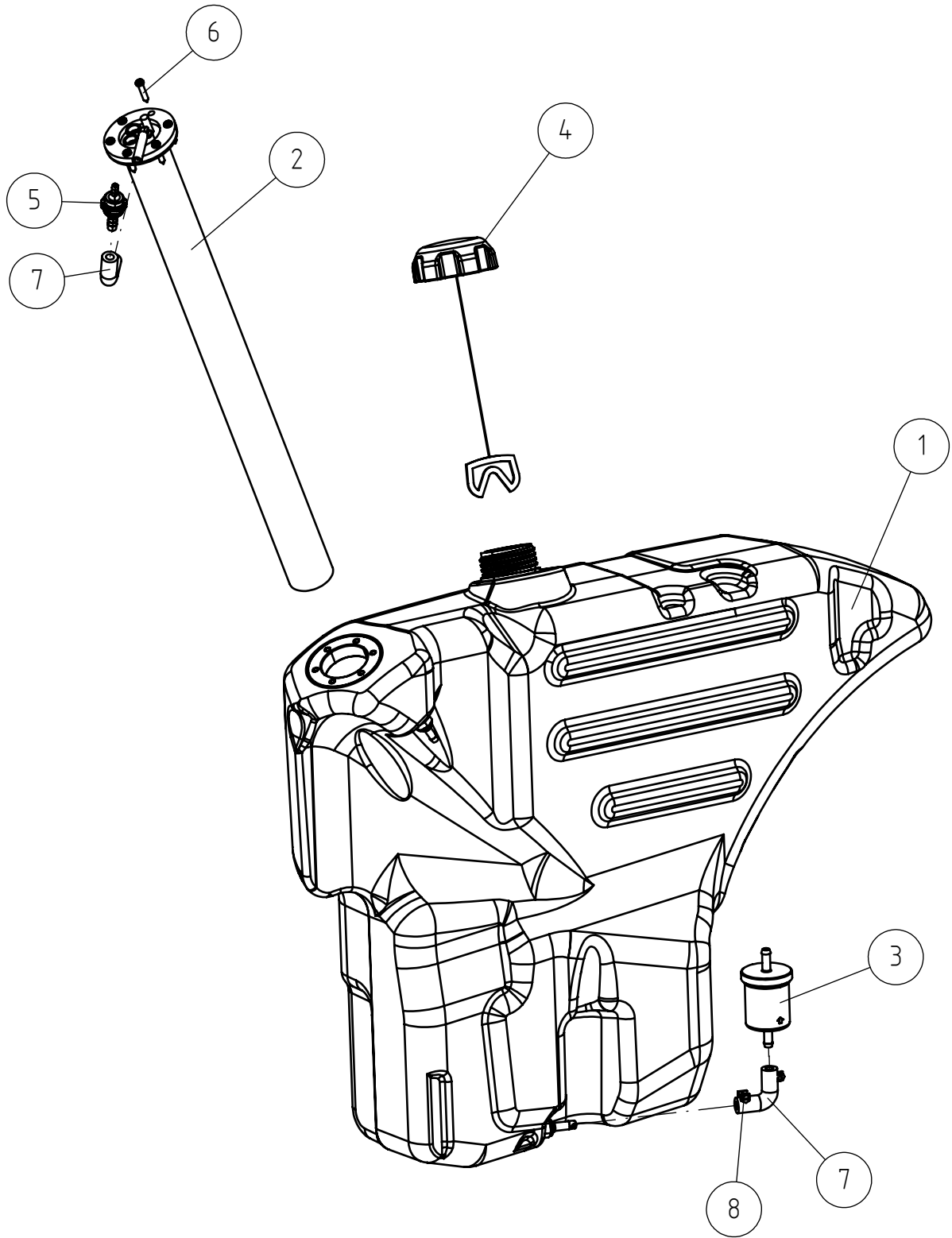


2.2.2024

A450773 HYDRAULIC MANIFOLD WITH HOSES

REF	PART NO	QTY	DESCRIPTION	NOTES	PAGE
1	A429660	1	MOUNTING BRACKET HYDRAULIC MANIFOLD		-
2	A450772	1	HYDRAULIC MANIFOLD ASSEMBLY		-
3	66107	3	HOSE BARB R3/4"UK - 25 MM L=58		-
4	74525	2	WASHER M8 8,4*20*1,25 ZN		-
5	72132	2	HEXAGONAL SCREW M 8*25 DIN 933 ZN		-
6	72320	2	HEXAGONAL NUT M8 NYLOC DIN 985		-
7	73039	2	HEXAGONAL SCREW M 8*16 DIN 933 ZN		-
8	64059	2	BASIC FITTING F40XS10-1/4		-
9	66428	1	HOSE BARB R1/2"UK - 20MM		-
10	A427317	1	INLET HOSE F53/F40-280 TANK - MANIFOLD		-
11	66013	2	PIPE CLAMP POWER-FLEX S-048-		-
12	A427080	1	INLET HOSE L=415 D25		-
13	A429791	2	INLET HOSE L=365 D25		-
14	A427319	1	HYDR. HOSE L=550 D19		-
15	73530	2	HOSE CLAMP 22-32 MM		-
16	73809	6	HOSE CLAMP 32-44 MM		-

A445726 FUEL TANK ASSEMBLY 645I/650I



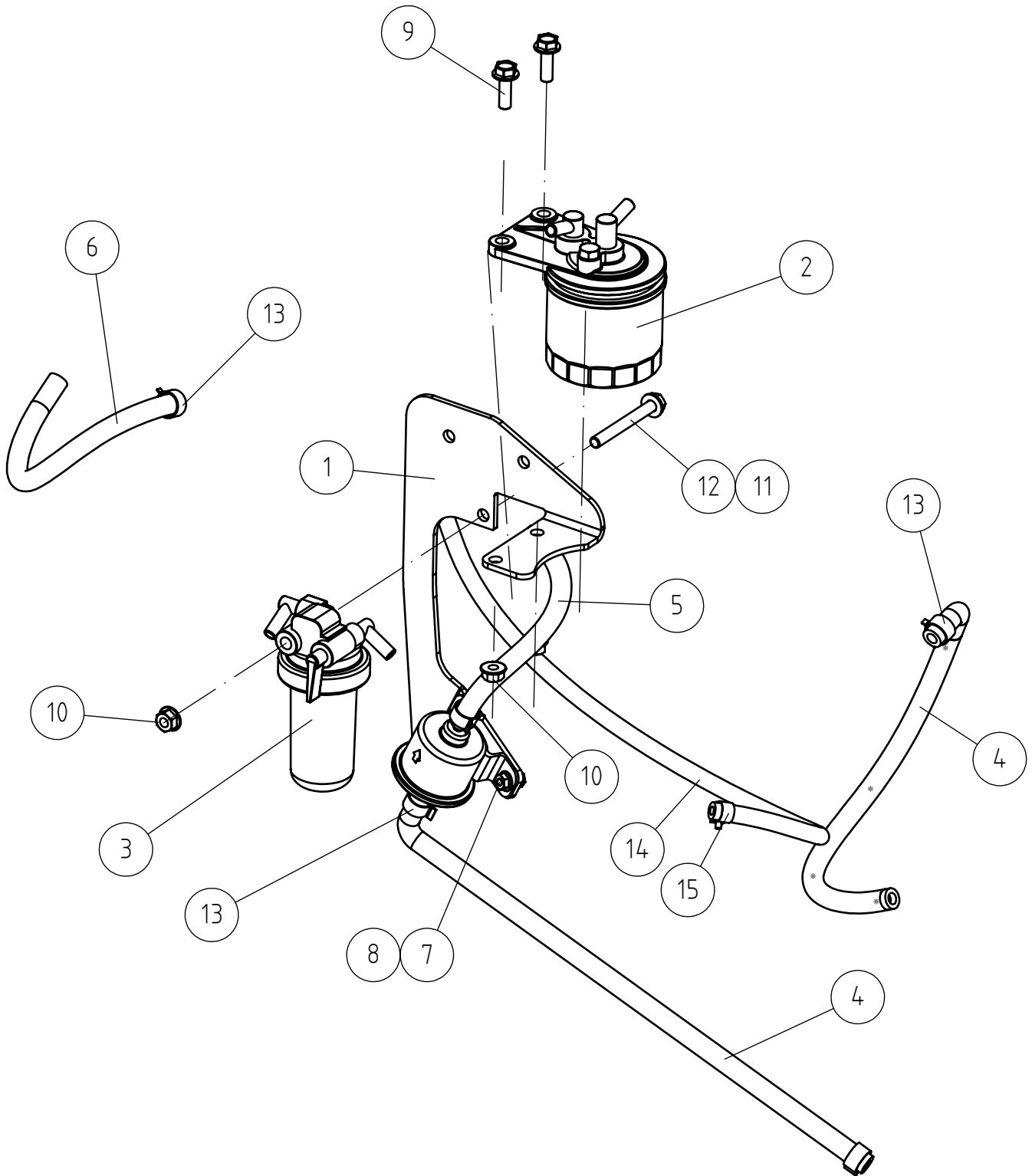
2.2.2024

A445726 FUEL TANK ASSEMBLY 645I/650I

REF	PART NO	QTY	DESCRIPTION	NOTES	PAGE
1	A445225	1	FUEL TANK 40L WITH HOSE NIPPLES		-
2	A436296	1	SENSOR FUEL GAUGE		-
3	64657	1	FUEL FILTER IN HOSE 12581-43012 D1105		-
4	66313	1	FUEL TANK CAP		-
5	A422526	1	CHECK VALVE FUEL TANK		-
6	75130	6	THREAD-FORMING SCREW M5*25		-
7	A449548	2	FUEL HOSE		-
8	A462891	2	HOSE CLAMP 14MM		-

2.2.2024

A455396 FUEL FILTERS ASSEMBLY D1105 V1505

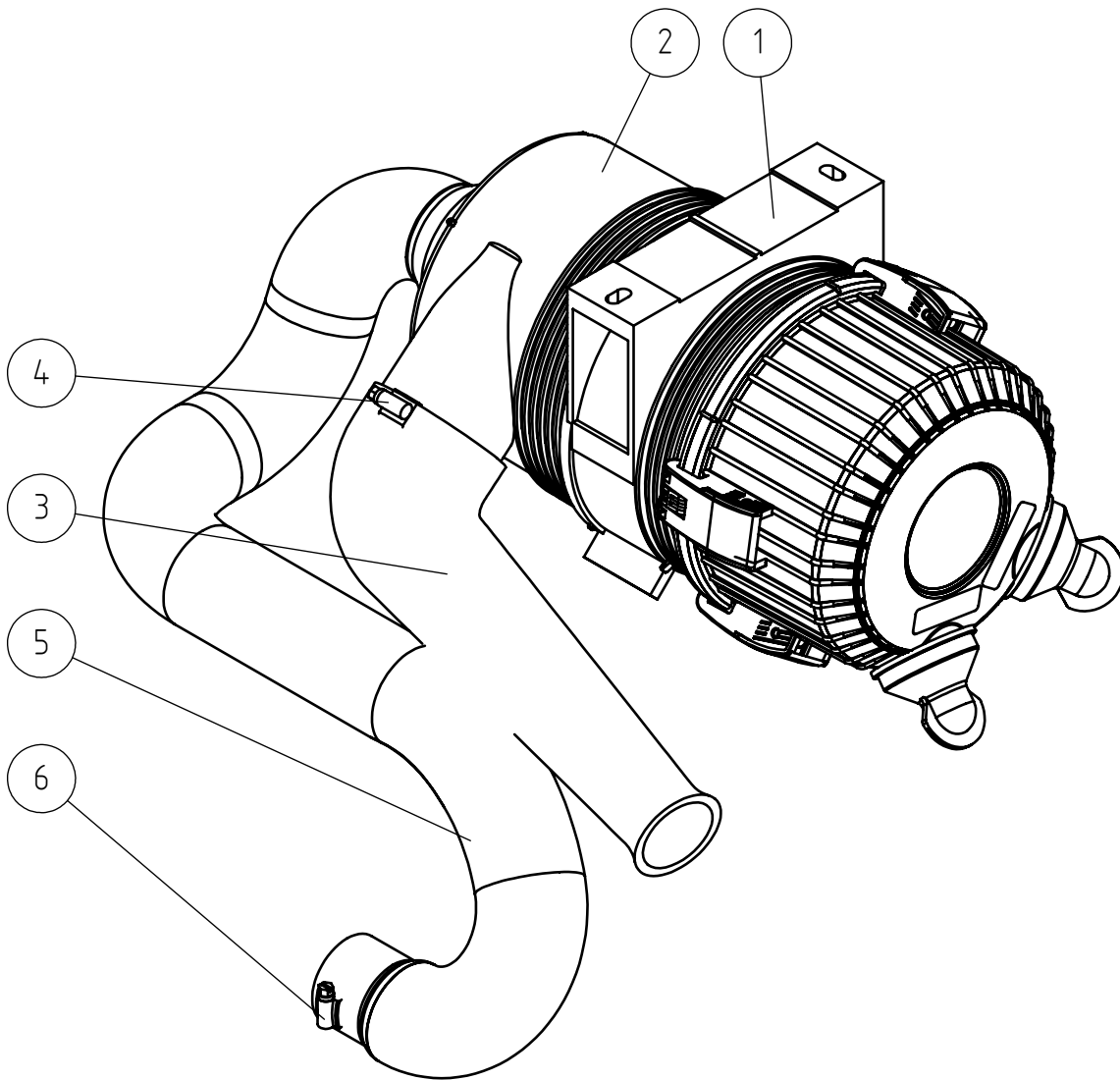


2.2.2024

A455396 FUEL FILTERS ASSEMBLY D1105 V1505

REF	PART NO	QTY	DESCRIPTION	NOTES	PAGE
1	A455357	1	MOUNTING BRACKET FILTER D1105 V1505		-
2	64868	1	FUEL FILTER, KIT, KUBOTA		-
2.1	64626	1	FUEL FILTER CARTRIDGE 15221-4308-0		-
3	64920	1	WATER SEQUESTER, KIT, KUBOTA 16614-43001		-
4	A445091	2	FUEL HOSE L=400		-
5	A455438	1			-
6	A455444	1			-
7	A431968	2	HEXAGONAL SERRATED SCREW M6*12 WITH		-
8	A452923	2	HEXAGONAL NUT M6 DIN 6923		-
9	A429202	2	HEXAGONAL SERRATED SCREW M8*25 WITH FLAN		-
10	A450046	3	HEXAGONAL NUT M8 WITH FLANGE		-
11	73122	1	WASHER M8 A8,4 DIN 125 ZN		-
12	74520	1	HEXAGONAL SCREW M 8* 70 DIN 933		-
13	A449796	8	HOSE CLAMP DN15		-
14	A459118	1			-
15	74405	2	HOSE CLAMP (13-10 MM)		-

A461593 AIR FILTER ASSEMBLY 635-640 SER3



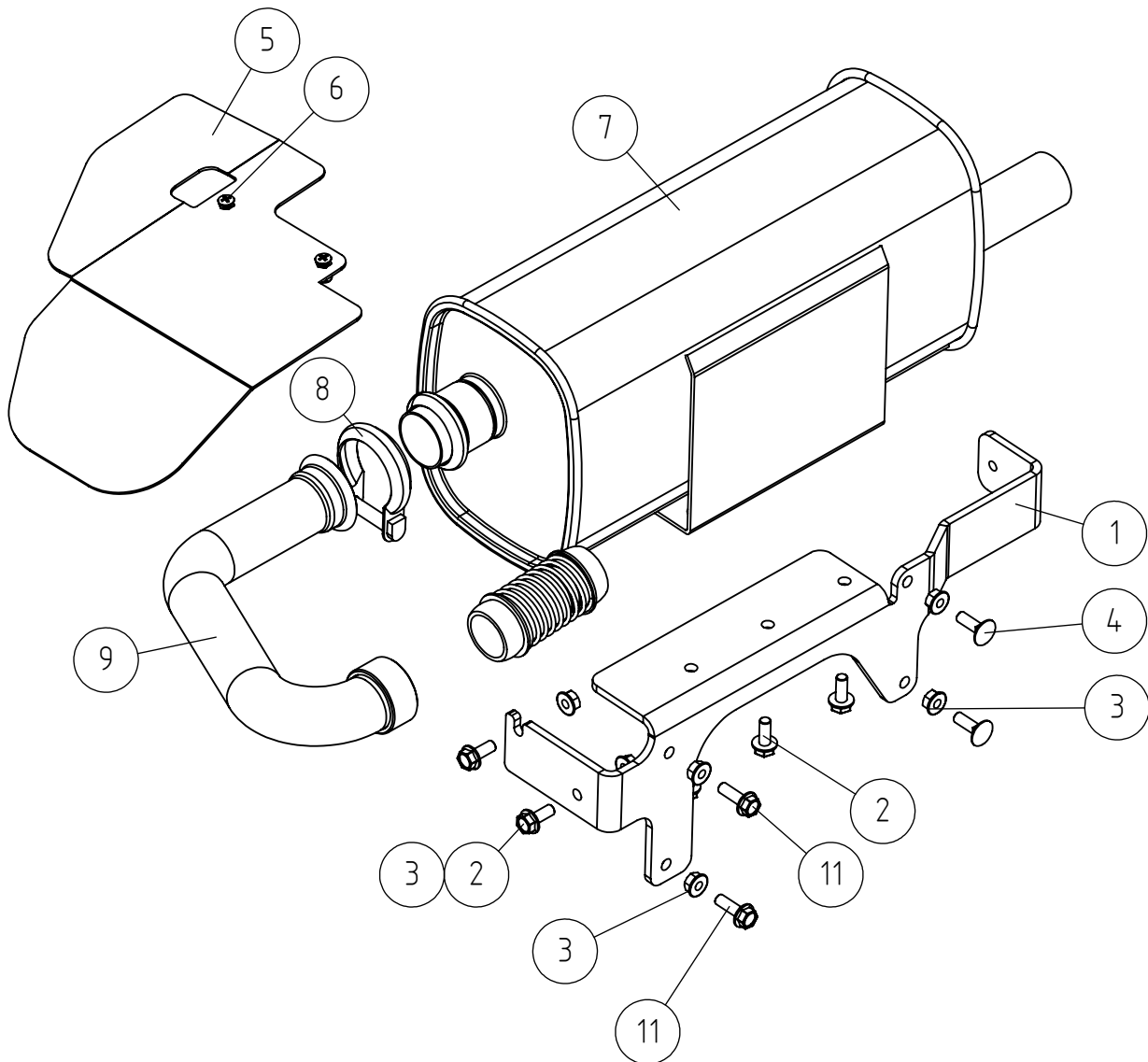
2.2.2024

A461593 AIR FILTER ASSEMBLY 635-640 SER3

REF	PART NO	QTY	DESCRIPTION	NOTES	PAGE
1	65946	1	CLAMP, AIR FILTER 65941		-
2	65941	1	AIR FILTER COMPLETE KOHLER KDI 1903 TCR		-
2.1	66060	1	AIR FILTER CARTRIDGE 6351-6501 7551 7601		-
2.2	66061	1	AIR FILTER, INNER SCREEN ELEMENT		-
3	A419185	1	SUCTION RESTRICTOR HOSE		-
4	64339	1	HOSE CLAMP ABA 68-85 MM		-
5	A455542	1	SUCTION HOSE AIR FILTER - ENGINE KUBOTA		-
6	64338	1	HOSE CLAMP ABA 44-56 MM		-

2.2.2024

A461592 EXHAUST MUFFLER + PIPE ASSEMBLY 635/640



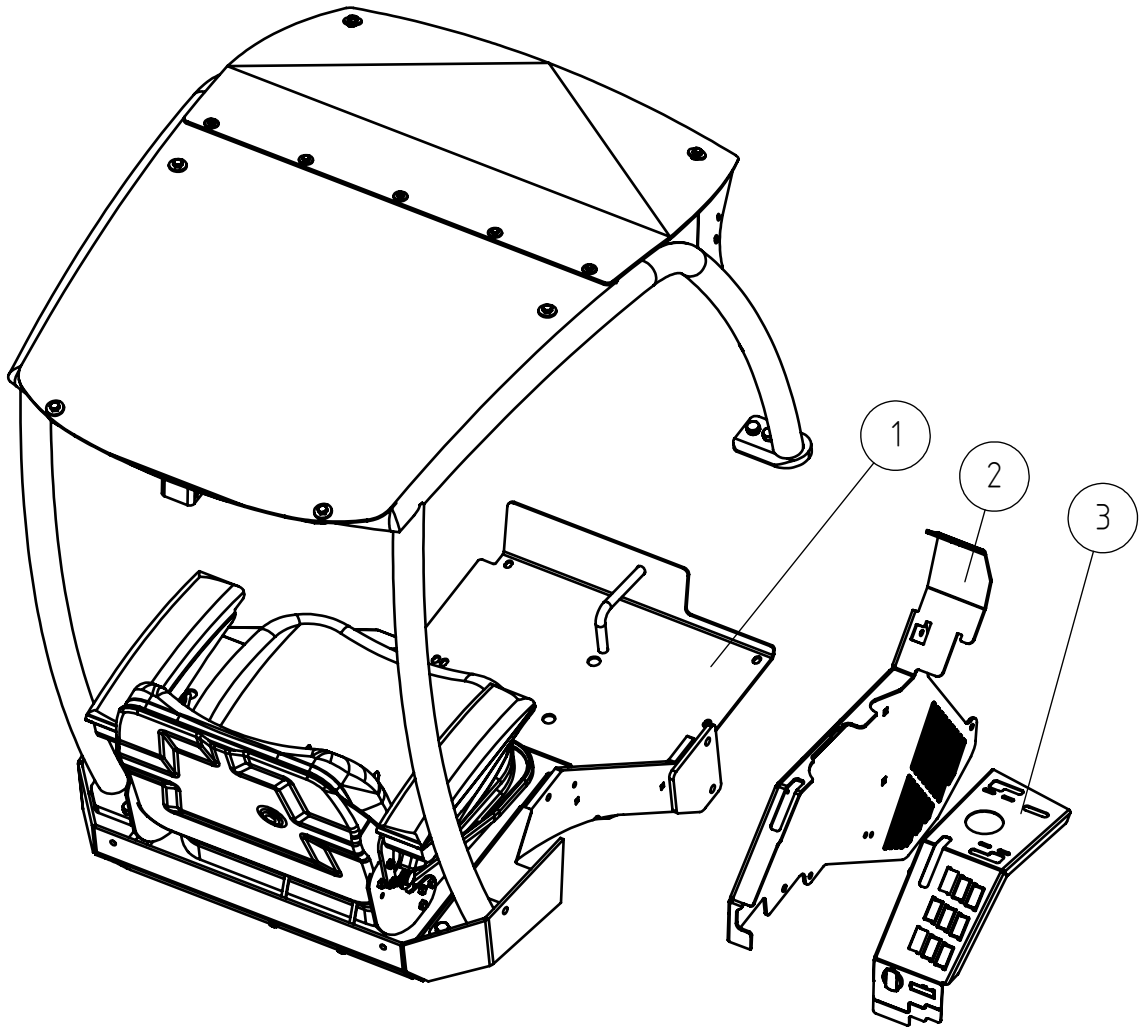
2.2.2024

A461592 EXHAUST MUFFLER + PIPE ASSEMBLY 635/640

REF	PART NO	QTY	DESCRIPTION	NOTES	PAGE
1	A452525	1	MOUNTING BRACKET EXHAUST MUFFLER		-
2	A429201	5	HEXAGONAL SERRATED SCREW M8*20 WITH		-
3	A450046	6	HEXAGONAL NUT M8 WITH FLANGE		-
4	74857	2	CARRIAGE BOLT M8*25 DIN603		-
5	A452832	1	HEAT SHIELD 528-640		-
6	74785	2	COUNTERS. CROSS HEAD SCREW M6*16		-
7	A449566	1	EXHAUST MUFFLER		-
8	A458354	1	CLAMP EXHAUST PIPE		-
9	A457982	1	EXHAUST PIPE FRONT PART BEND 635/640		-
10	A452828	1			-
11	A429202	2	HEXAGONAL SERRATED SCREW M8*25 WITH FLAN		-

2.2.2024

A452130 ROPS CAB ASSEMBLY 500-700 SERIES



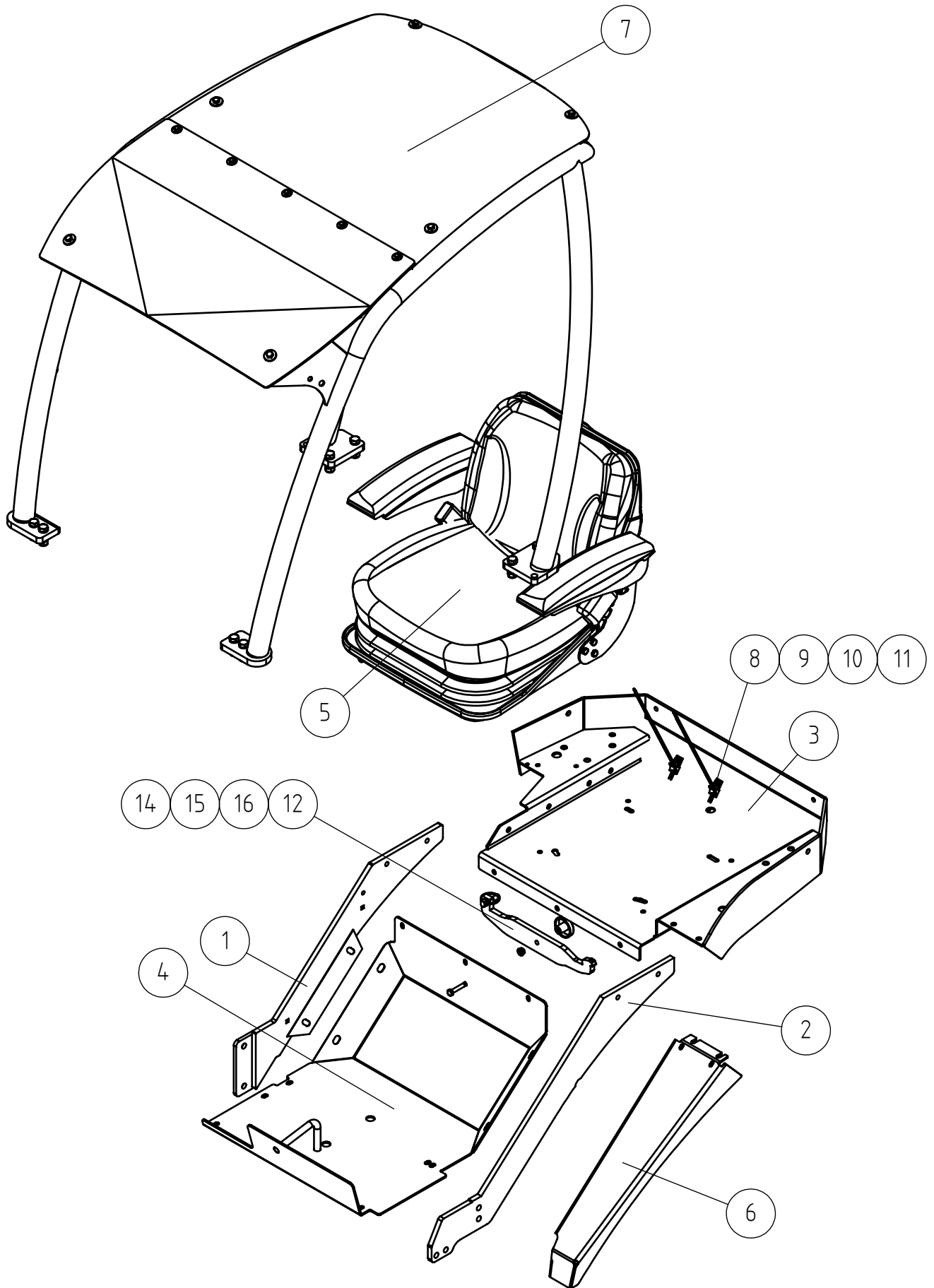
2.2.2024

A452130 ROPS CAB ASSEMBLY 500-700 SERIES

REF	PART NO	QTY	DESCRIPTION	NOTES	PAGE
1	A452129	1	ROPS CAB 500-700 SERIES		92
2	A438092	1	MOUNTING PLATE CONTROL VALVE HDS16		-
3	A439987	1	INSTRUMENT PANEL WITH DECAL 700 / 800		96

2.2.2024

A452129 ROPS CAB 500-700 SERIES



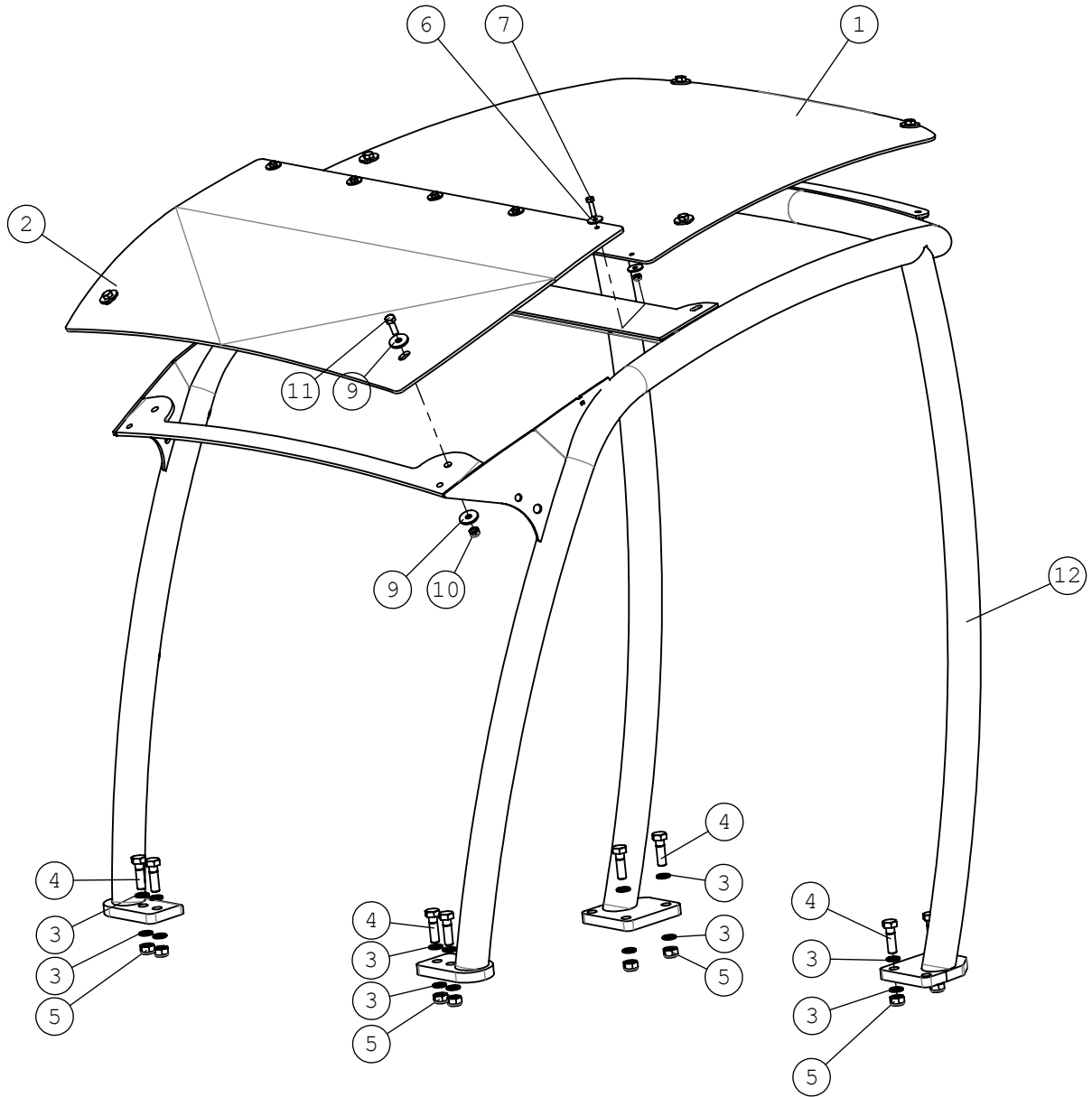
2.2.2024

A452129 ROPS CAB 500-700 SERIES

REF	PART NO	QTY	DESCRIPTION	NOTES	PAGE
1	A47389	1	BAR, RIGHT		-
2	A47834	1	BAR, LEFT		-
3	A48246	1	SEAT BASE		-
4	A47399	1	FLOOR PLATE		-
5	66155	1	SEAT FULL SUSPENSION HEATER OP MANUAL BOX		-
5.1	A435848	1	SEAT RAILS, PAIR		-
5.2	65726	1	SEAT CUSHION, BLACK, WITH HEATER		-
5.3	64816	1	ARMRESTS, PAIR, SUSPENSION SEAT ACC980		-
5.4	66375	1	SEAT BELT WITH MICROSWITCH		-
6	A47531	1	EDGE PLATE		-
7	A49119	1	ROPS FRAME WITH FOPS CANOPY, 600/700 SER		94
8	74767	2	RAISED COUNTERSUNK HEAD SCREW M6*20		-
9	74768	2	WASHER CONICAL M6		-
10	74781	2	HEXAGONAL NUT M6 WITH FLANGE		-
11	A442639	2	CABLE TIE 7,6*390 M6 BLACK		-
12	A410307	1	FRAME LOCK		-
13	71727	1	LINCH PIN 9,5 MM		-
14	73222	1	HEXAGONAL SCREW M8*40 DIN 933		-
15	74782	1	HEXAGONAL NUT M8 WITH FLANGE		-
16	64188	1	FINGER SCREW R5026M8S		-

2.2.2024

A49119 ROPS FRAME WITH FOPS CANOPY, 600/700 SER



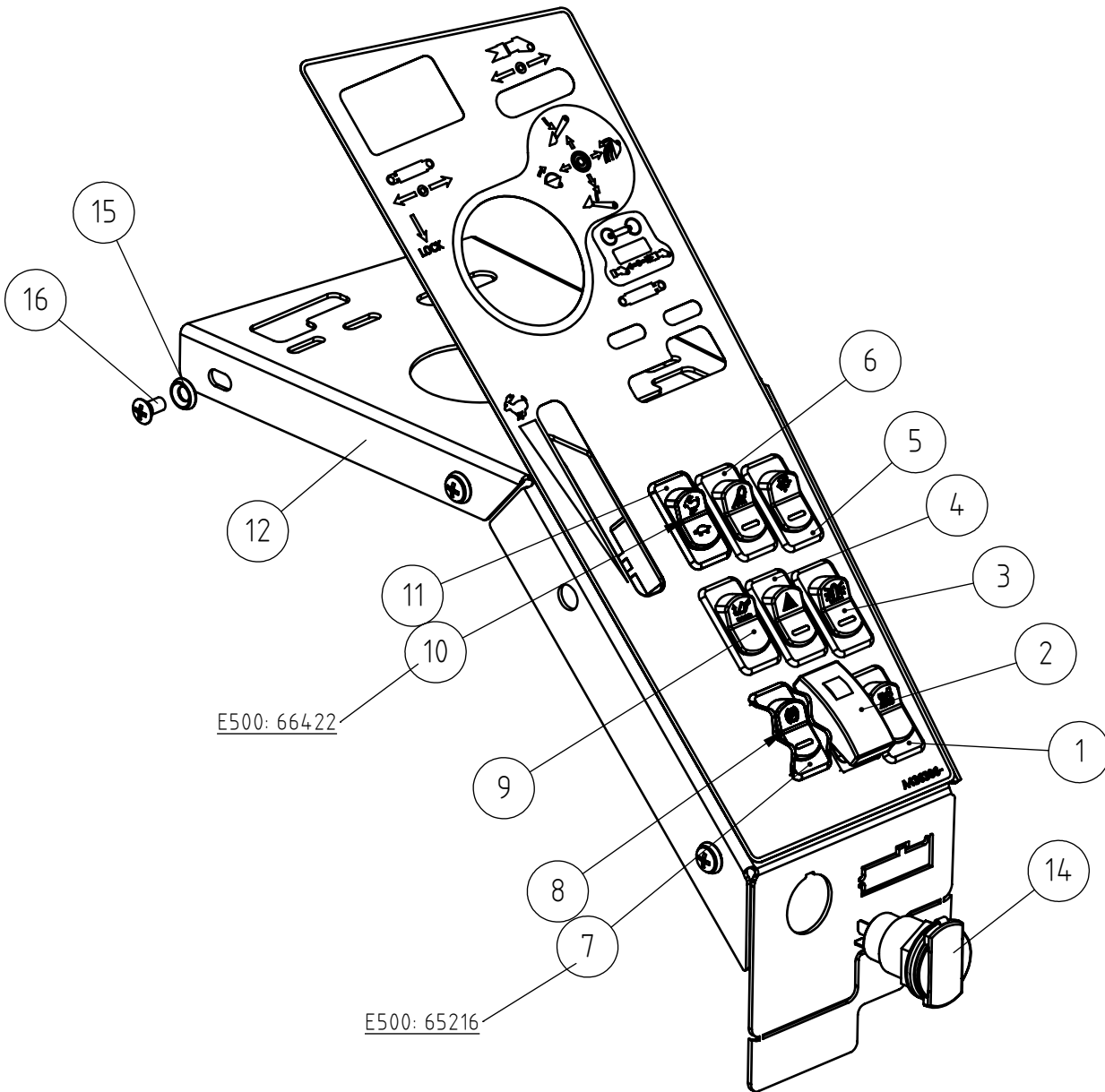
2.2.2024

A49119 ROPS FRAME WITH FOPS CANOPY, 600/700 SER

REF	PART NO	QTY	DESCRIPTION	NOTES	PAGE
1	A48905	1	FOPS CANOPY PLATE 500/600/700		-
2	A48909	1	CANOPY, SHORT, POLYCARBONATE (WITH FOPS)		-
3	74532	16	WASHER NORDLOCK NL12		-
4	73322	8	HEXAGONAL SCREW M12*40 DIN 931		-
5	72324	8	HEXAGONAL NUT M 12 NYLOC DIN 985		-
6	71681	10	WASHER M6 DIN 440		-
7	72119	5	HEXAGONAL SCREW M6*25 DIN 933 ZN		-
8	72318	5	HEXAGONAL NUT M 6 DIN 985 NYLOC		-
9	71685	12	WASHER M8 R9 DIN 440 ZN		-
10	72320	6	HEXAGONAL NUT M8 NYLOC DIN 985		-
11	72132	6	HEXAGONAL SCREW M 8*25 DIN 933 ZN		-
12	A33920	1	ROPS FRAME 1090 MM 600/700 SERIES		-

2.2.2024

A439987 INSTRUMENT PANEL WITH DECAL 700 / 800

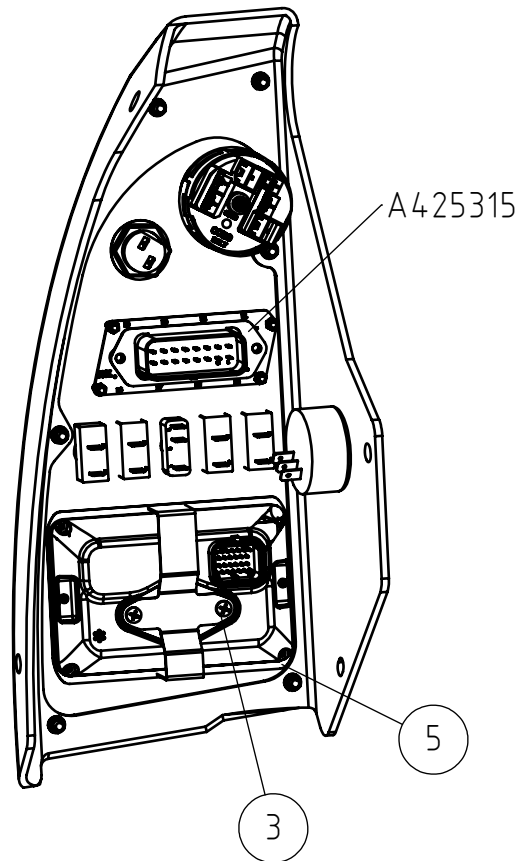
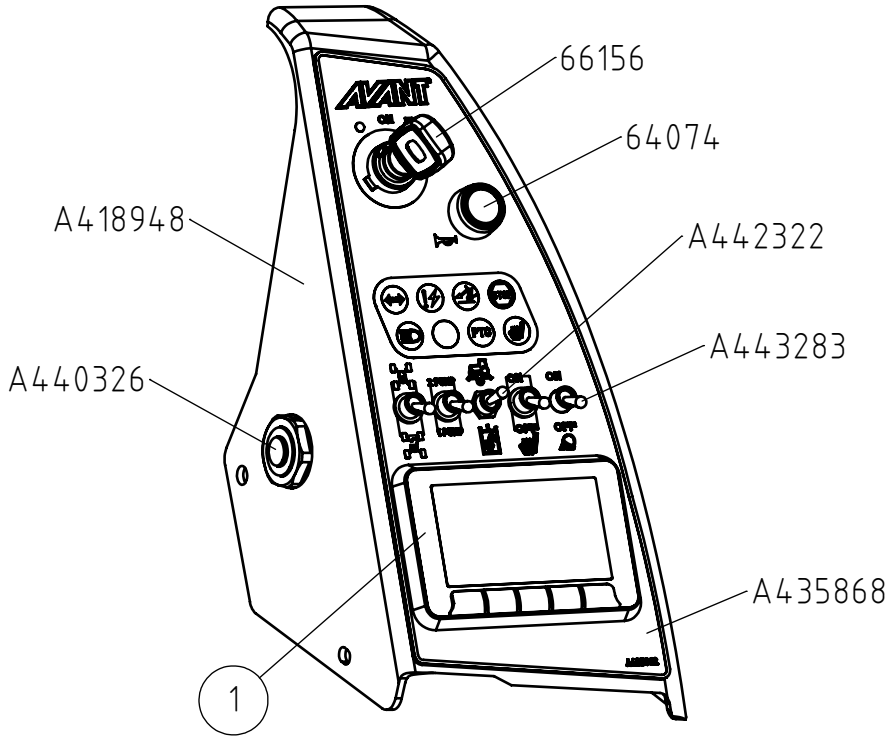


2.2.2024

A439987 INSTRUMENT PANEL WITH DECAL 700 / 800

REF	PART NO	QTY	DESCRIPTION	NOTES	PAGE
1	A437343	1	ROCKER SWITCH OPTICONTROL		-
2	A430996	1	CONTROL SWITCH, HYDR ATTACHMENT COUPLING		-
3	65065	1	SWITCH, BEACON		-
4	65064	1	SWITCH, WARNING BLINKER		-
5	65063	1	SWITCH, WIPER/WASHER		-
6	65066	1	SWITCH, WORK LIGHT		-
7	65216	1	SWITCH, PARKING BRAKE		-
8	A442040	1	SWITCH PARKING BRAKE		-
9	A437190	1	SWITCH SMOOTH DRIVE		-
10	66422	1	SWITCH SLOW-FAST (TURTLE-RABBIT)		-
11	65246	1	SWITCH, DRIVE SPEED AREA (TURTLE-RABBIT)		-
12	A431454	1	PANEL 800 SERIES		-
13	A436386	1	DECAL INSTRUMENT PANEL 800 SERIES		-
14	A436424	1	OUTLET 12V/20A WITH COVER		-
15	74768	3	WASHER CONICAL M6		-
16	75162	3	CROSS HEAD COUNTERS SCREW M6*12		-

A435860 DASHBOARD ASSEMBLY 700-800 ROPS



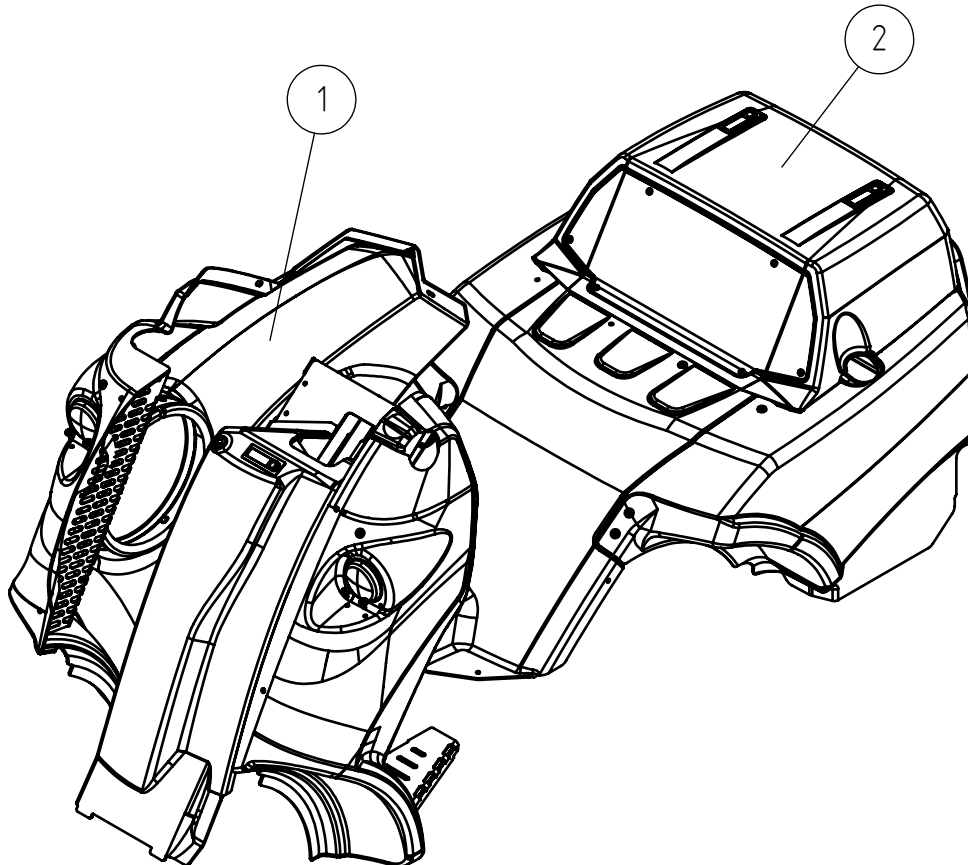
2.2.2024

A435860 DASHBOARD ASSEMBLY 700-800 ROPS

REF	PART NO	QTY	DESCRIPTION	NOTES	PAGE
1	A428466	1	DISPLAY 4,3" COLOUR LED		-
2	A456497	1	DASHBOARD WITHOUT DISPLAY 523...8601		-
2.1	A436098	1	WIRE HARNESS DASHBOARD		-
2.2	A425315	1	INDICATOR LIGHTS DASHBOARD		-
2.3	A440326	1	ALARM BEEPER D28,5/D45 -H47		-
2.4	A418948	1	HOUSING PANEL ABS DASHBOARD		-
2.5	66156	1	IGNITION SWITCH 12V/30A/60A IP65 COBO		-
2.6	A442322	1	ROCKER SWITCH ON-OFF-MOM 3-POLE		-
2.7	A443283	4	TOGGLE SWITCH ON-OFF 2-POLE		-
2.8	64074	1	PUSH BUTTON F22,5 SIGNAL HORN		-
2.9	A435868	1	COVER DASHBOARD 700-800 STAGE 5		-
3	A431502	2	PAN HEAD MACHINE SCREW M4*8		-
4	A423587	1	MOUNTING PLATE DISPLAY		-
5	A436780	1	GROUNDING FRAME CANVIEW4 GAUGE PANEL		-

2.2.2024

A451125 COVER PLATES, KIT, ABS 500-600 SERIES



2.2.2024

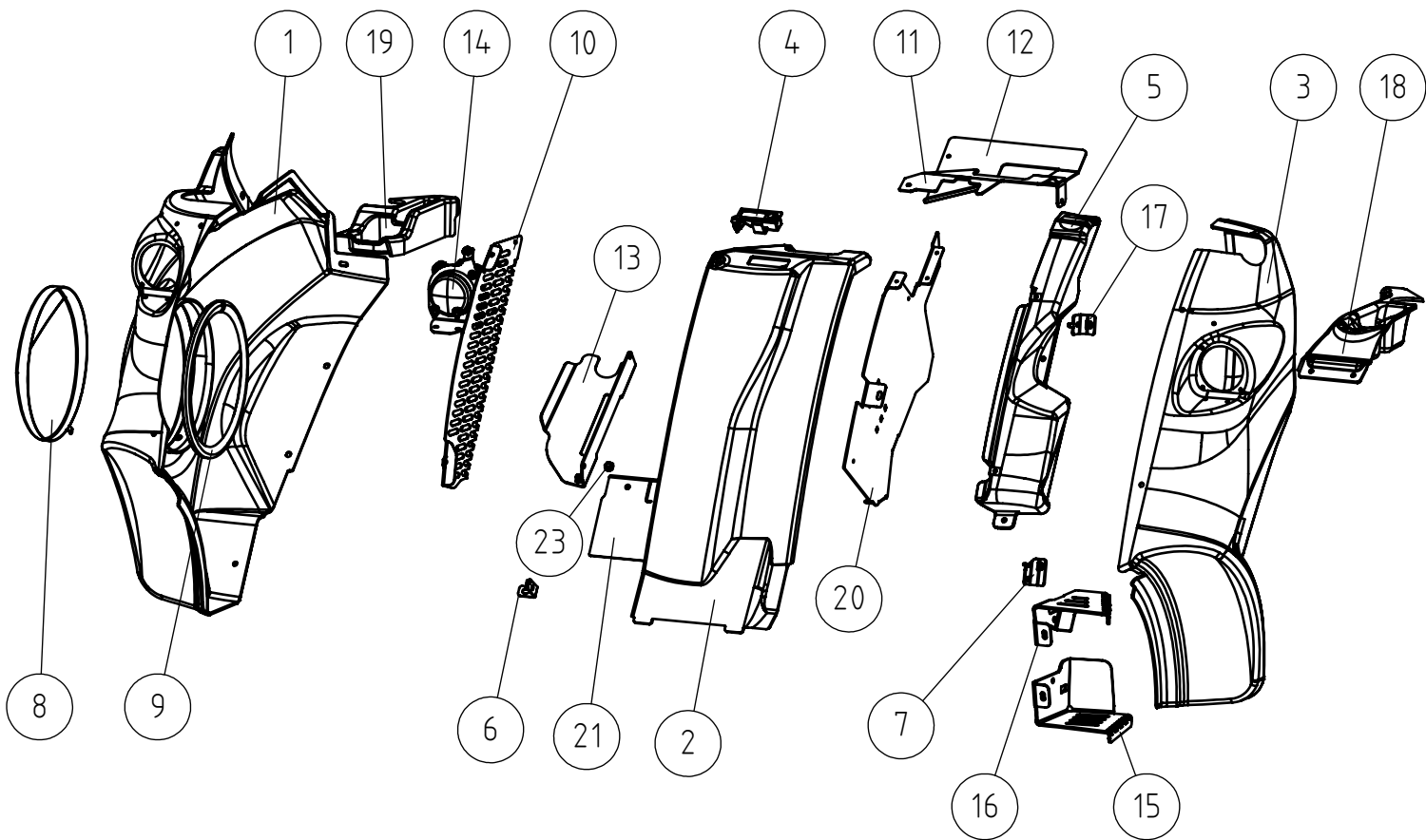
A451125 COVER PLATES, KIT, ABS 500-600 SERIES

REF	PART NO	QTY	DESCRIPTION	NOTES	PAGE
1*	A446265	1	COVER PLATES FRONT FRAME ABS 500-700	ABS	102
1**	A447754	1	COVER PLATES FRONT FRAME POLYCARBONATE	PC/HD (optional extra)	104
2*	A446429	1	COVER PLATES REAR FRAME ABS, 645I/650I	ABS	108
2**	A451004	1	COVER PLATES REAR FRAME POLYCARBONATE	PC/HD (optional extra)	110
2***	A445950	1	MUDGUARDS REAR, PAIR, 645I/650I	Mudguards	112

2.2.2024

ABS

A446265 COVER PLATES FRONT FRAME ABS 500-700



2.2.2024

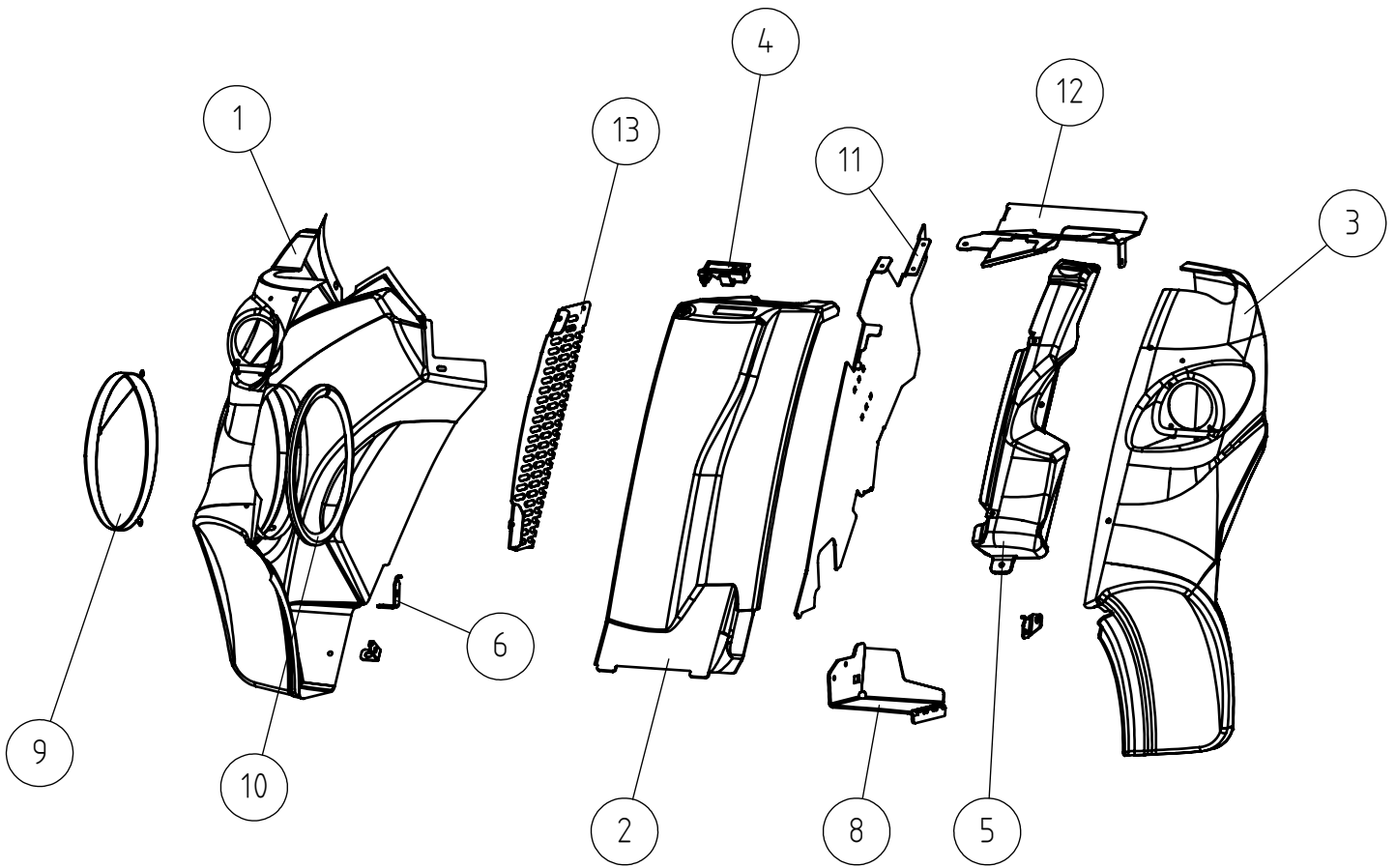
ABS

A446265 COVER PLATES FRONT FRAME ABS 500-700

REF	PART NO	QTY	DESCRIPTION	NOTES	PAGE
1	A446215	1	COVER PLATE FRONT RIGHT ABS 500-700		-
2	A445993	1	COVER PLATE FRONT ABS ROPS / GT 500-700		-
3	A446305	1	COVER PLATE FRONT LEFT ABS 500-700		-
4	65085	1	LATCH		-
5	A446048	1	MOUNTING BRACKET COVER PLATE FRONT LEFT		-
6	A446422	1	MOUNTING BRACKET SHORT COVER PLATE		-
7	A450748	1	MOUNTING BRACKET LEFT COVER PLATE		-
8	A431524	1	MESH HYDRAULIC OIL COOLER		-
9	A438435	1	EDGE BANDING, FAN 800 SERIES		-
10	A446221	1	MOUNTING BRACKET COVER PLATE FRONT RIGHT		-
11	A450610	1	MOUNTING BRACKET COVER PLATE FRONT		-
12	A445628	1	MOUNTING BRACKET COVER PLATE FRONT		-
13	A454142	1	MOUNTING BRACKET COVER PLATE FRONT RIGHT		-
14	A450770	1	WORK LIGHTS LED ON FRONT COVERS ASSEMBLY		106
15	A450071	1	STEP, MACHINE WITH ROPS		-
16	A450093	1	STEP, MACHINE WITH ROPS		-
17	A451440	1	MOUNTING BRACKET LEFT COVER PLATE		-
18	A434360	1	CUP HOLDER, LEFT		-
19	A431510	1	CUP HOLDER, RIGHT		-
20	A452905	1	SIDE PLATE		-
21	A452862	1	COVER PLATE DRIVE PEDALS AND ORBITROL		-
22	75069	2	COUPLING NUT M8 DIN 6334		-
23	A429197	2	HEXAGONAL SERRATED SCREW M8*12 W. FLANGE		-

PC/HD (optional extra)

A447754 COVER PLATES FRONT FRAME POLYCARBONATE



2.2.2024

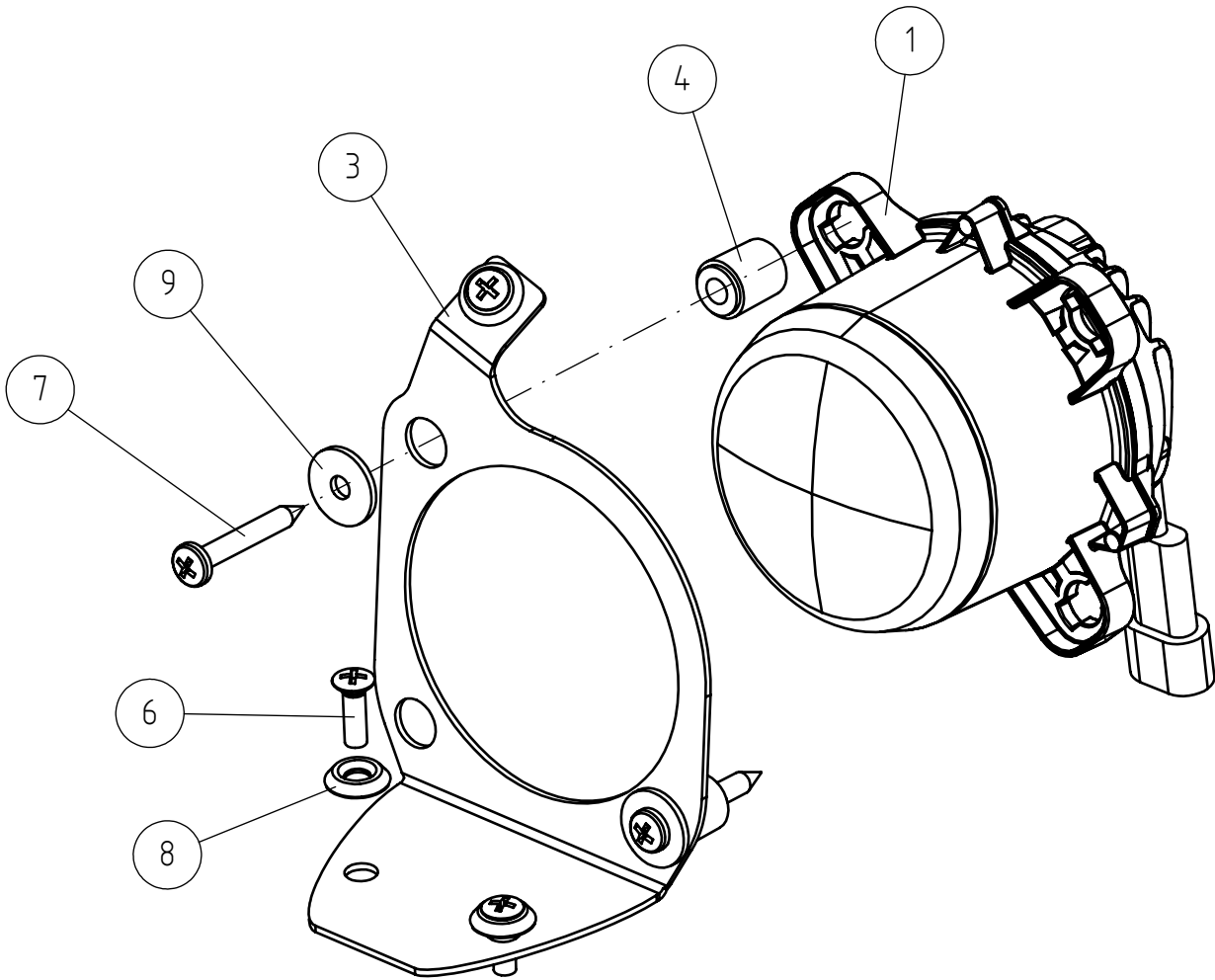
PC/HD (optional extra)

A447754 COVER PLATES FRONT FRAME POLYCARBONATE

REF	PART NO	QTY	DESCRIPTION	NOTES	PAGE
1	A447753	1	COVER PLATE FRONT RIGHT POLYCARBONATE		-
2	A447751	1	COVER PLATE FRONT POLYKARBONAT ROPS / GT		-
3	A447752	1	COVER PLATE FRONT LEFT POLYCARBONATE		-
4	65085	1	LATCH		-
5	A446048	1	MOUNTING BRACKET COVER PLATE FRONT LEFT		-
6	A446422	2	MOUNTING BRACKET SHORT COVER PLATE		-
7	A446430	1	MOUNTING BRACKET LEFT COVER PLATE		-
8	A446412	1	STEP		-
9	A431524	1	MESH HYDRAULIC OIL COOLER		-
10	A438435	1	EDGE BANDING, FAN 800 SERIES		-
11	A445910	1	SIDE PLATE FRONT FRAME RIGHT 500-700		-
12	A445913	1	MOUNTING PLATE UPPER		-
13	A446221	1	MOUNTING BRACKET COVER PLATE FRONT RIGHT		-

2.2.2024

A450770 WORK LIGHTS LED ON FRONT COVERS ASSEMBLY



2.2.2024

A450770 WORK LIGHTS LED ON FRONT COVERS ASSEMBLY

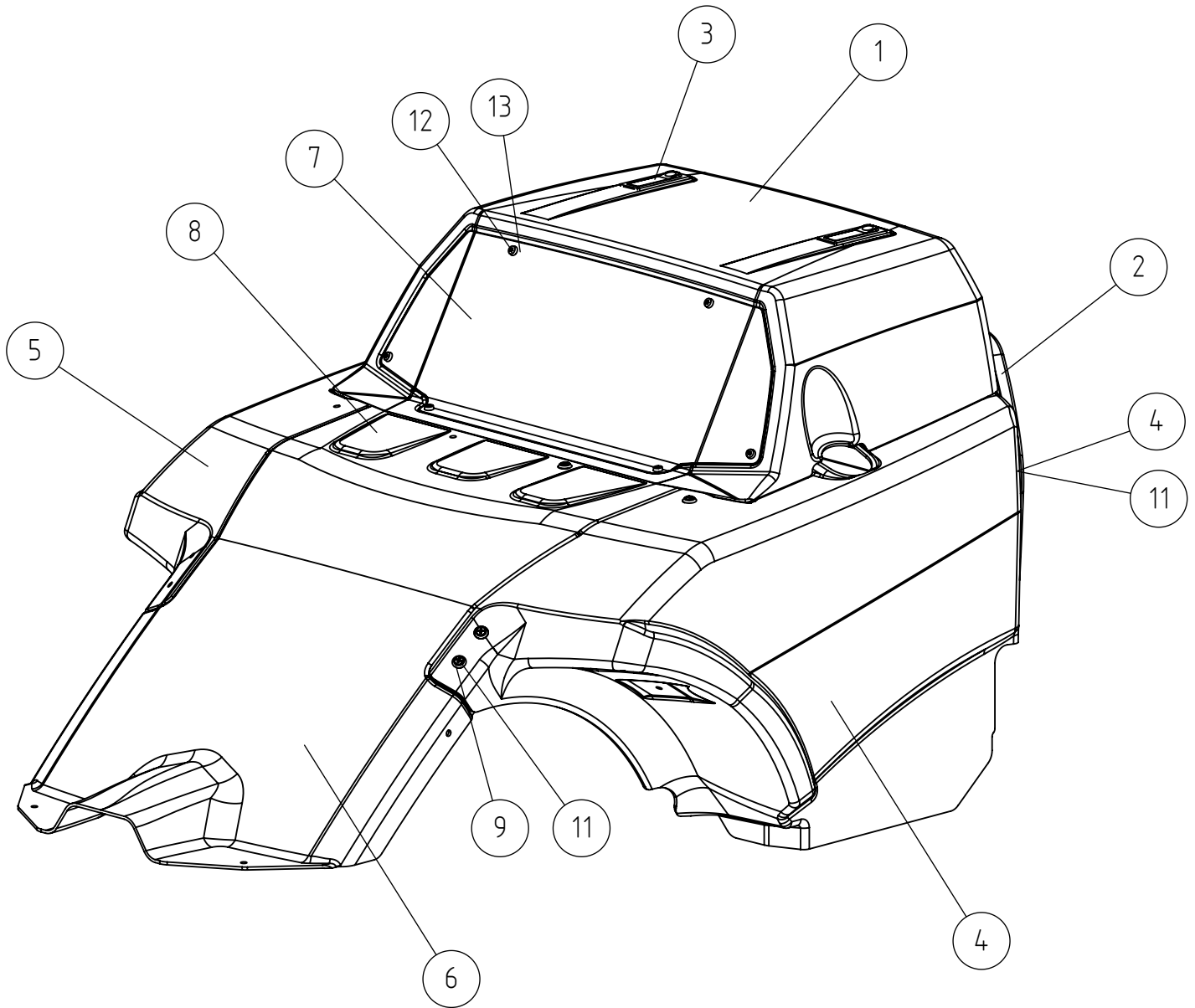
REF	PART NO	QTY	DESCRIPTION	NOTES	PAGE
1	A441777	2	WORK LIGHT LED 1000 LUMEN 12V		-
2	A450528	1	MOUNTING BRACKET RIGHT WORK LIGHT LED		-
3	A450553	1	MOUNTING BRACKET LEFT WORK LIGHT LED		-
4	A450763	4	BUSHING FRONT LIGHT		-
5	A436960	1	WIRE HARNESS WORK LIGHTS FRONT		-
6	74767	6	RAISED COUNTERSUNK HEAD SCREW M6*20		-
7	A461980	4	SCREW 6X45		-
8	A422221	6	WASHER M6 GREEN PLASTIC, ANALOG FOR		-
9	71681	4	WASHER M6 DIN 440		-

106/220

2.2.2024

ABS

A446429 COVER PLATES REAR FRAME ABS, 645I/650I



2.2.2024

ABS

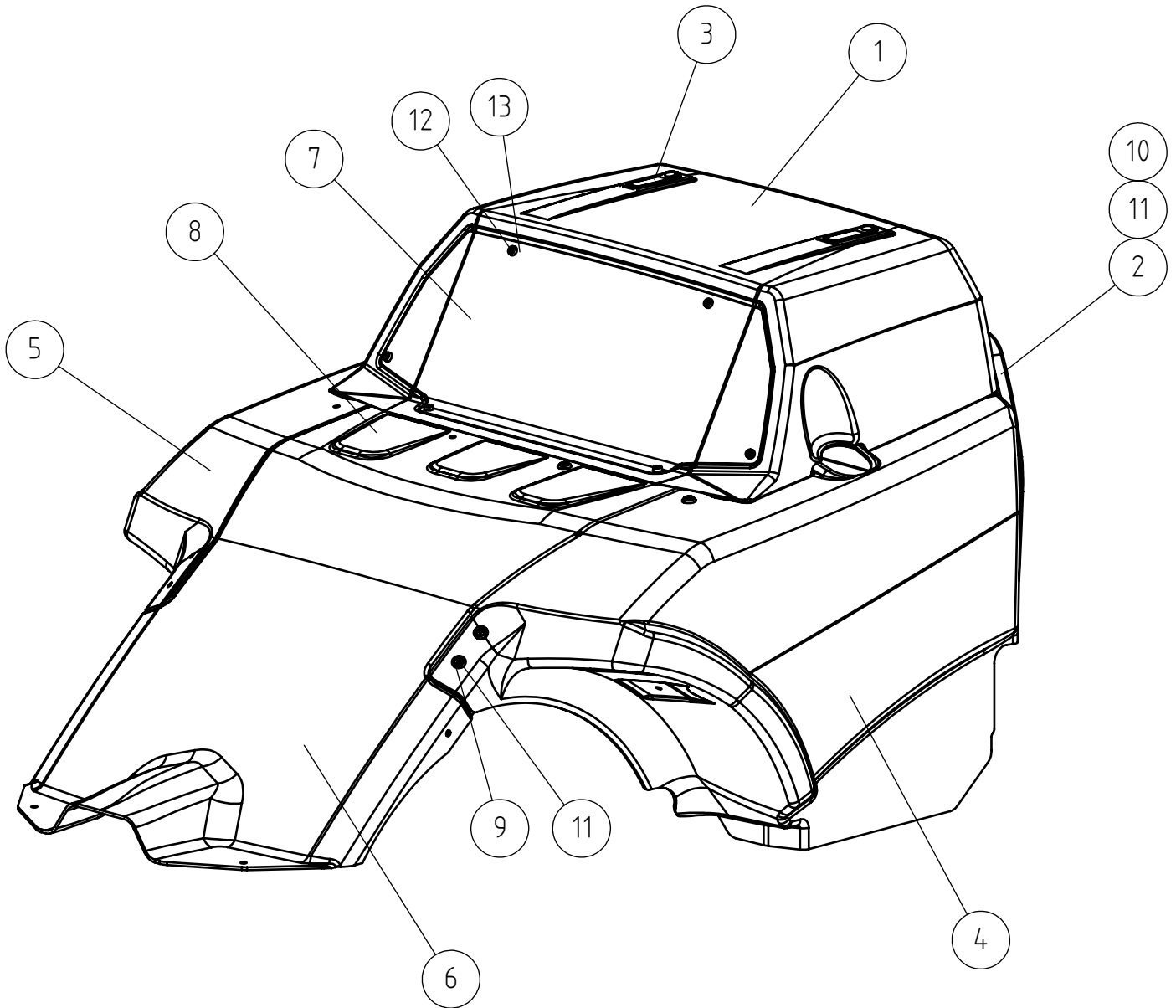
A446429 COVER PLATES REAR FRAME ABS, 645I/650I

REF	PART NO	QTY	DESCRIPTION	NOTES	PAGE
1	A446411	1	COVER PLATE ENGINE, ABS, 645I/650I		-
2	A446056	1	REAR GRILLE 600 SERIES		-
3	65085	2	LATCH		-
4	A446527	1	COVER PLATE REAR LEFT ABS, 645I/650I		-
5	A446536	1	COVER PLATE REAR RIGHT ABS, 645I/650I		-
6	A446535	1	COVER PLATE REAR FRONT ABS, 645I/650I		-
7	A446779	1	FRONT MESH, COVER PLATE ENGINE 645I/650I		-
8	A439798	1	HEAT SHIELD ON REAR COVER PLATE 700/800		-
9	A422221	4	WASHER M6 GREEN PLASTIC, ANALOG FOR		-
10	74768	4	WASHER CONICAL M6		-
11	74767	8	RAISED COUNTERSUNK HEAD SCREW M6*20		-
12	A437544	6	THREAD-FORMING SCREW BLACK M6*16 DIN		-
13	74781	6	HEXAGONAL NUT M6 WITH FLANGE		-

2.2.2024

PC/HD (optional extra)

A451004 COVER PLATES REAR FRAME POLYCARBONATE



2.2.2024

PC/HD (optional extra)

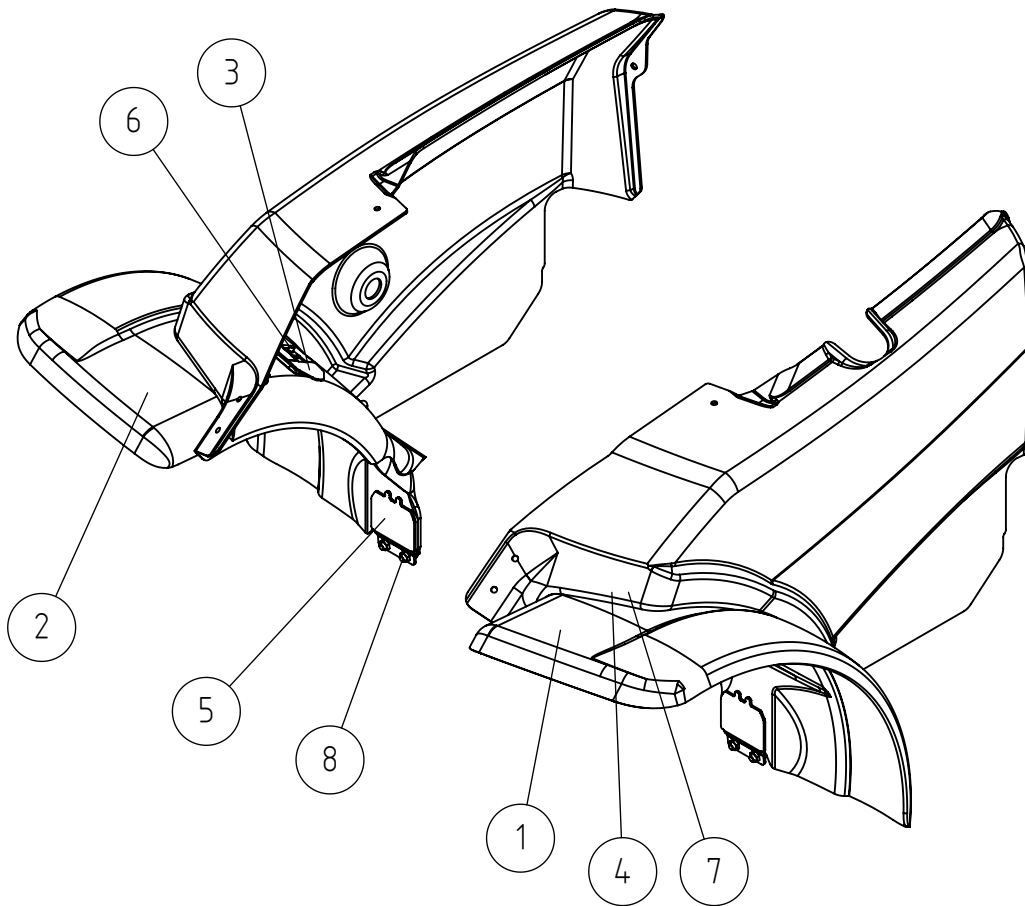
A451004 COVER PLATES REAR FRAME POLYCARBONATE

REF	PART NO	QTY	DESCRIPTION	NOTES	PAGE
1	A446574	1	COVER PLATE ENGINE, POLYCARBONATE		-
2	A446056	1	REAR GRILLE 600 SERIES		-
3	65085	2	LATCH		-
4	A446575	1	COVER PLATE POLYCARB REAR LEFT 645I/650I		-
5	A446576	1	COVER PLATE POLYCARB REAR RIGHT		-
6	A446535	1	COVER PLATE REAR FRONT ABS, 645I/650I		-
7	A446779	1	FRONT MESH, COVER PLATE ENGINE 645I/650I		-
8	A439798	1	HEAT SHIELD ON REAR COVER PLATE 700/800		-
9	A422221	4	WASHER M6 GREEN PLASTIC, ANALOG FOR		-
10	74768	4	WASHER CONICAL M6		-
11	74767	8	RAISED COUNTERSUNK HEAD SCREW M6*20		-
12	A437544	6	THREAD-FORMING SCREW BLACK M6*16 DIN		-
13	74781	6	HEXAGONAL NUT M6 WITH FLANGE		-

2.2.2024

Mudguards

A445950 MUDGUARDS REAR, PAIR, 645I/650I



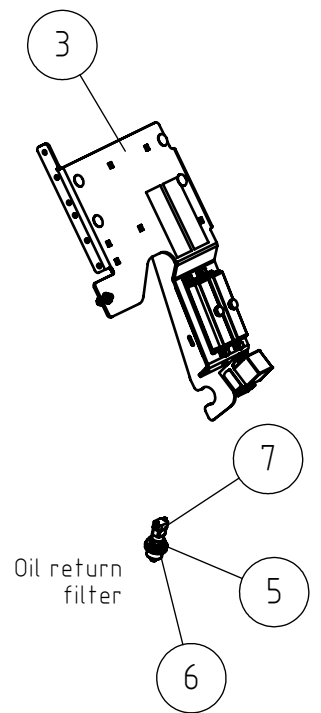
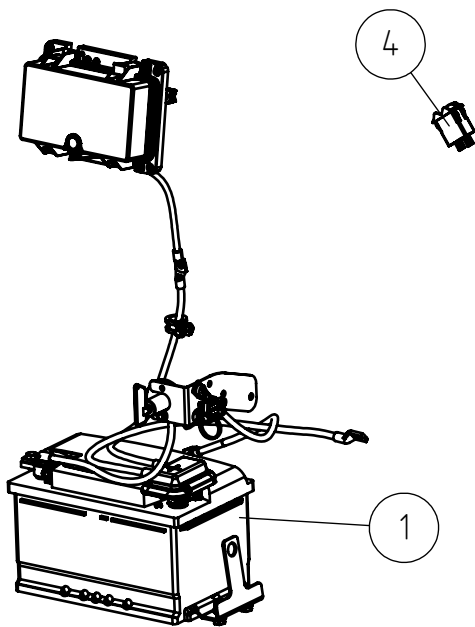
2.2.2024

Mudguards

A445950 MUDGUARDS REAR, PAIR, 645I/650I

REF	PART NO	QTY	DESCRIPTION	NOTES	PAGE
1	A446578	1	MUDGUARD REAR LEFT		-
2	A446684	1	MUDGUARD REAR RIGHT		-
3	A438480	2	MOUNTING BRACKET MUDGUARD		-
4	A437485	4	MOUNTING PLATE REAR MUDGUARD		-
5	A446663	2	MOUNTING BRACKET MUDGUARD REAR		-
6	74807	4	SPEED NUT M6, FOR 0.5-4.0 MM PLATE		-
7	A431349	4	HEXAGONAL SERRATED SCREW M6*20 W. FLANG		-
8	A429201	4	HEXAGONAL SERRATED SCREW M8*20 WITH		-

A461555 ELECTRIC COMPONENTS 528-640 SER3 KUBOTA

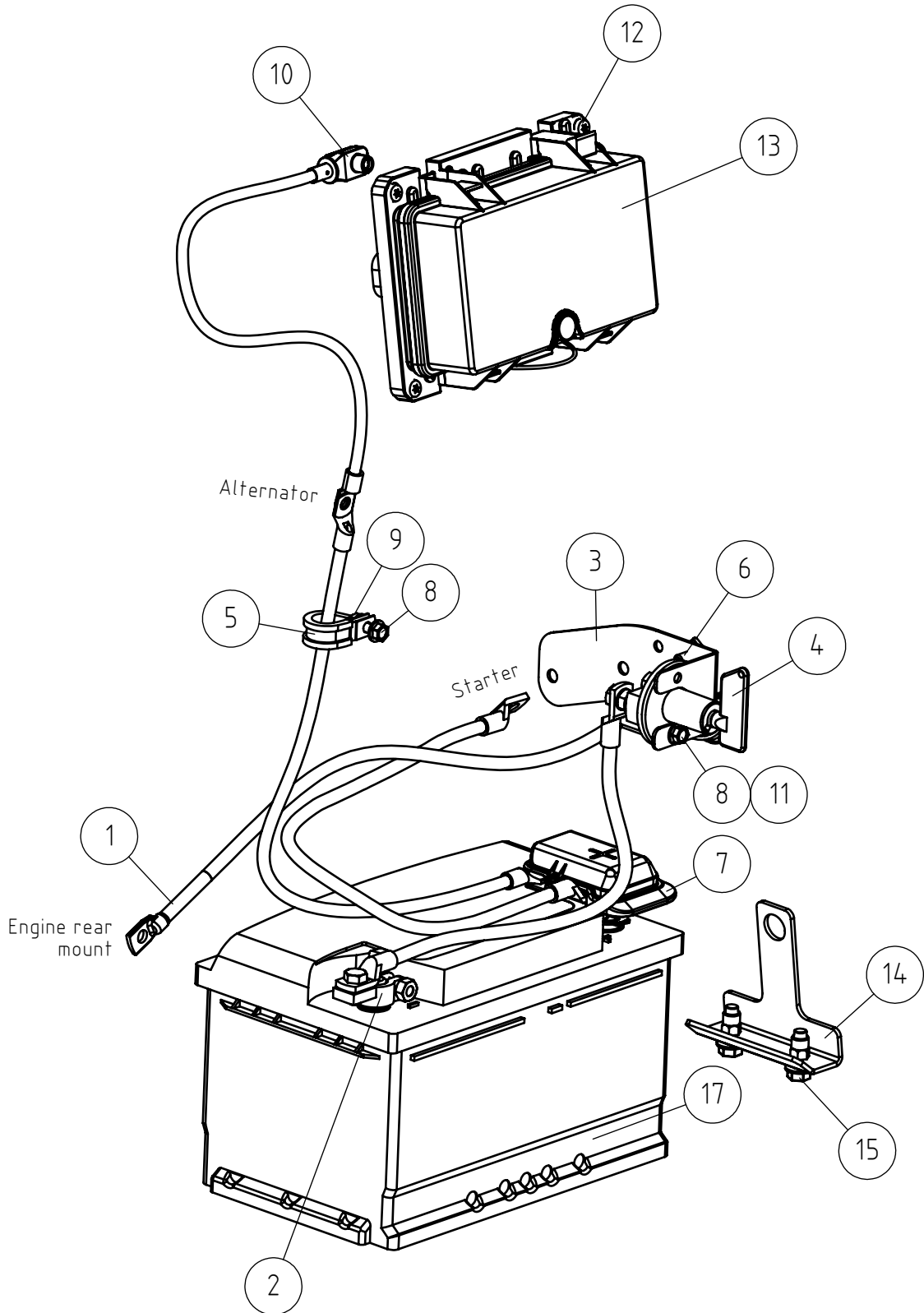


2.2.2024

A461555 ELECTRIC COMPONENTS 528-640 SER3 KUBOTA

REF	PART NO	QTY	DESCRIPTION	NOTES	PAGE
1	A460836	1	POWER SUPPLY ASSEMBLY 528-640 KUBOTA		116
2	A455777	1	WIRE HARNESS MAIN 528-755I, 850		-
3	A453565	1	VECU & FUSE BOXES ON MOUNTING BRACKET		118
4	A442040	1	SWITCH PARKING BRAKE		-
5	A438517	1	FITTING G1/2" => M12*1,5		-
6	73047	1	USIT SEAL RING R/12"		-
7	A433798	1	TEMPERATURE SENSOR TF-W		-

A460836 POWER SUPPLY ASSEMBLY 528-640 KUBOTA



2.2.2024

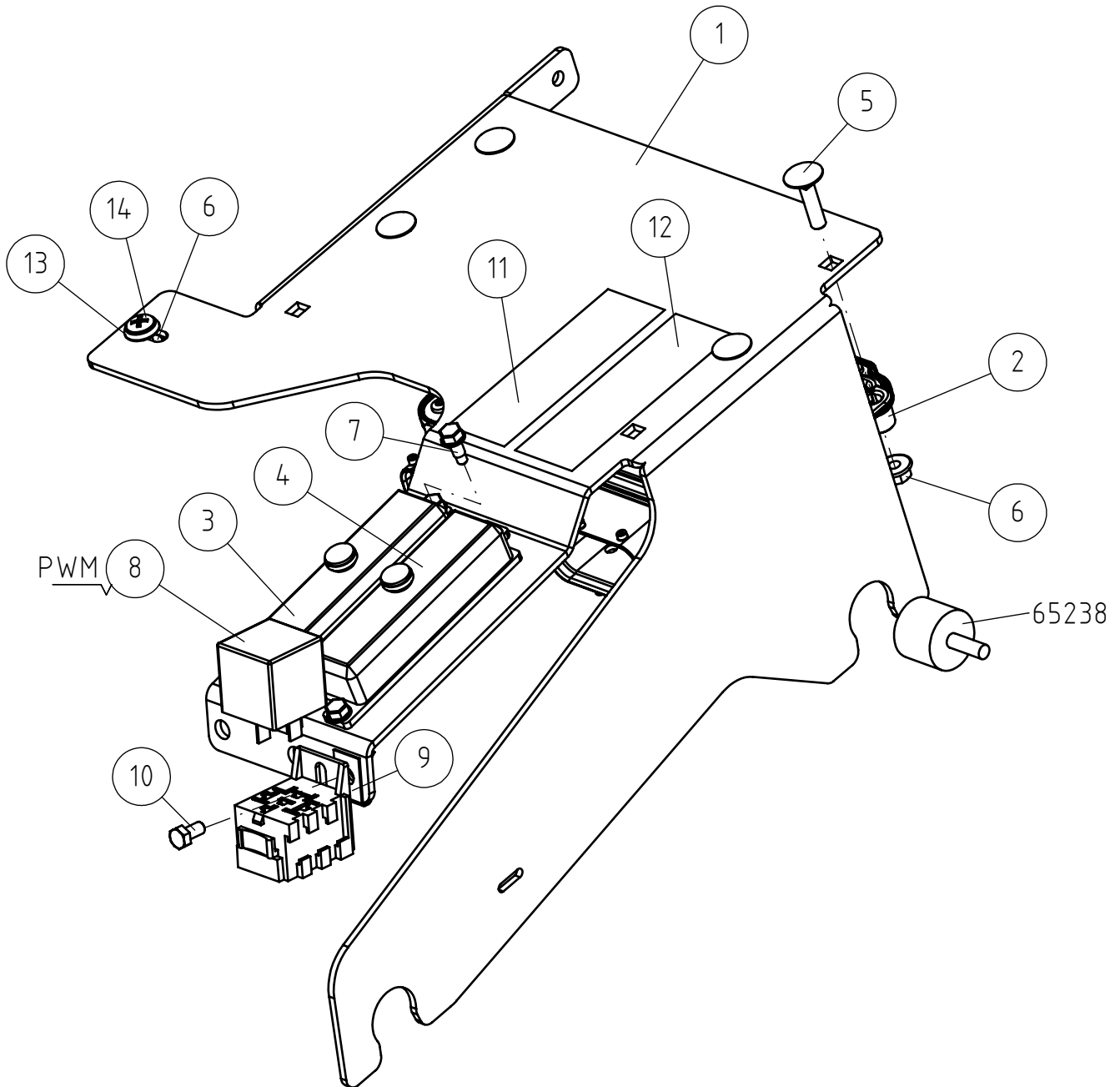
A460836 POWER SUPPLY ASSEMBLY 528-640 KUBOTA

REF	PART NO	QTY	DESCRIPTION	NOTES	PAGE
1	A420907	1	BATTERY CABLE, BLACK, L=650		-
2	A452834	1	BATTERY CABLE BLACK ASSEMBLY		-
3	A450981	1	MOUNTING BRACKET BATTERY DISCONNECT		-
4	64141	1	BATTERY DISCONNECT SWITCH 28V/100A		-
4.1	64394	1	KEY, BATTERY DISCONNECT SWITCH C-180216		-
5	74572	1	PIPE CLAMP F19 MM		-
6	A442270	1	THREAD-FORMING SCREW M8*16 DIN 7500C		-
7	A437903	1	BATTERY TERMINAL WITH 2 WIRES + FUSE		-
7.1	A437905	1	FUSE 100A 70V		-
8	A431349	2	HEXAGONAL SERRATED SCREW M6*20 W. FLANG		-
9	74781	1	HEXAGONAL NUT M6 WITH FLANGE		-
10	A457080	1	CABLE L=400 25MM2 RED		-
11	A452923	1	HEXAGONAL NUT M6 DIN 6923		-
12	A437544	4	THREAD-FORMING SCREW BLACK M6*16 DIN		-
13	A446183	1	POWER DISTRIBUTION UNIT MEDIUM+ KUBOTA		-
14	A437653	1	BRACKET, BATTERY 700-800 SER		-
15	A429202	2	HEXAGONAL SERRATED SCREW M8*25 WITH FLAN		-
16	A461103	1	CABLE TIE 4,6*165 BLACK		-
17	A450364	1	BATTERY 12V 72AH 720A		-

116/220

2.2.2024

A453565 VECU & FUSE BOXES ON MOUNTING BRACKET



2.2.2024

A453565 VECU & FUSE BOXES ON MOUNTING BRACKET

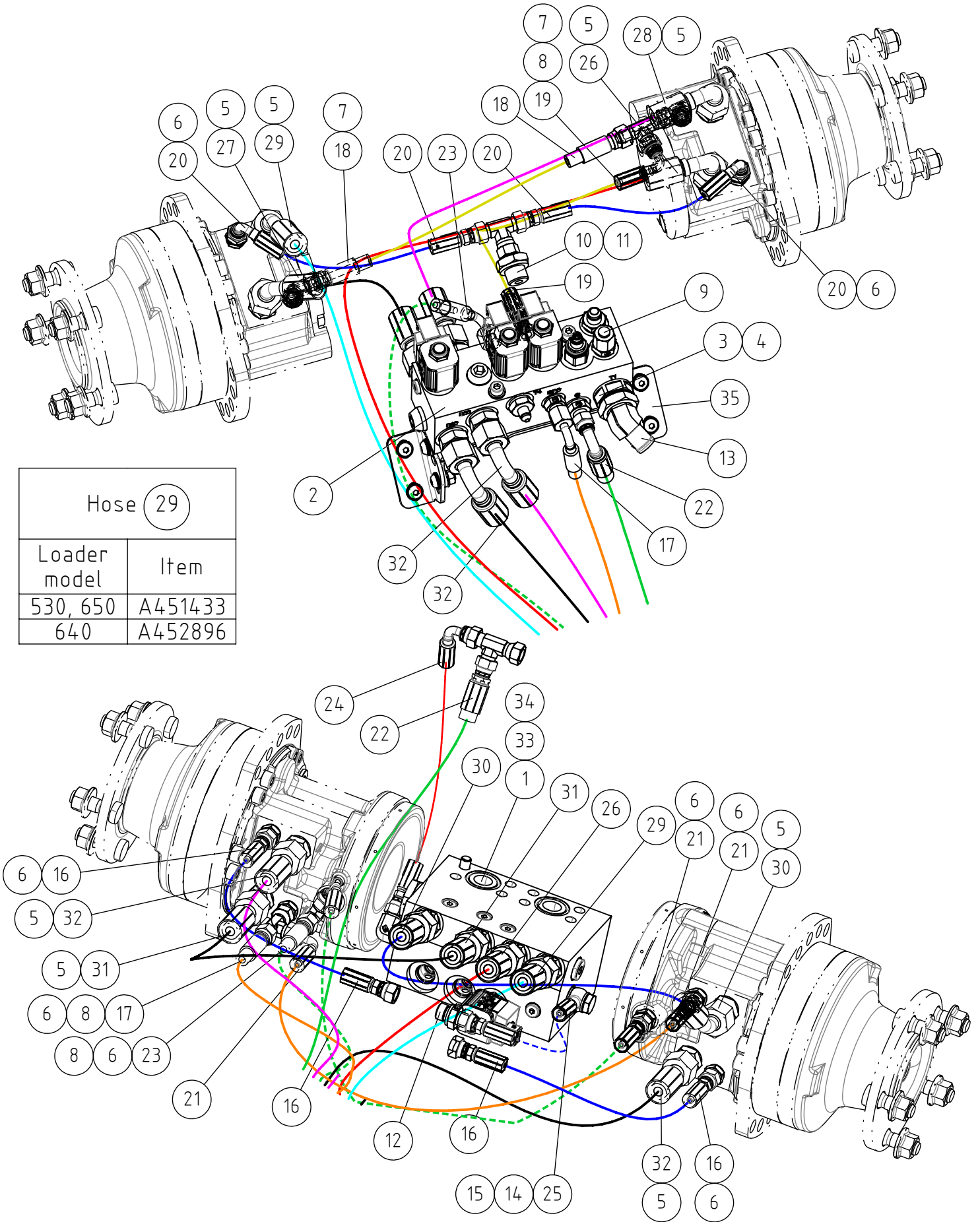
REF	PART NO	QTY	DESCRIPTION	NOTES	PAGE
1	A452909	1	MOUNTING BRACKET VECU / FUSE BOXES		-
2	A433527	1	ELECTRONIC CONTROL UNIT ECU		-
3	A442064	1	FUSE BOX 1 ASSEMBLY 700/800 SERIES		-
4	A442243	1	FUSE BOX 2 ASSEMBLY 700/800 SERIES		-
5	75167	4	CARRIAGE BOLT M6*25 DIN603		-
6	A452923	5	HEXAGONAL NUT M6 DIN 6923		-
7	A451996	4	SELF-DRILLING SCREW 4,8*13 DIN 7504-K		-
8	A439100	1	RELAY SOLID STATE 15A		-
9	75172	1	SPEED NUT M5 FOR 0.5-4.0 MM PLATE		-
10	75160	1	HEXAGONAL SCREW M5*10 DIN 933		-
11	A438877	1	DECAL FUSE BOX 1 700/800 SERIES		-
12	A438879	1	DECAL FUSE BOX 2 700/800 SERIES		-
13	74768	1	WASHER CONICAL M6		-
14	74767	1	RAISED COUNTERSUNK HEAD SCREW M6*20		-

118/220

2.2.2024

Avant 640 (2 speed)

A452890 HYDR. HOSES DRIVE 500-600 SERIES 2-SPEED



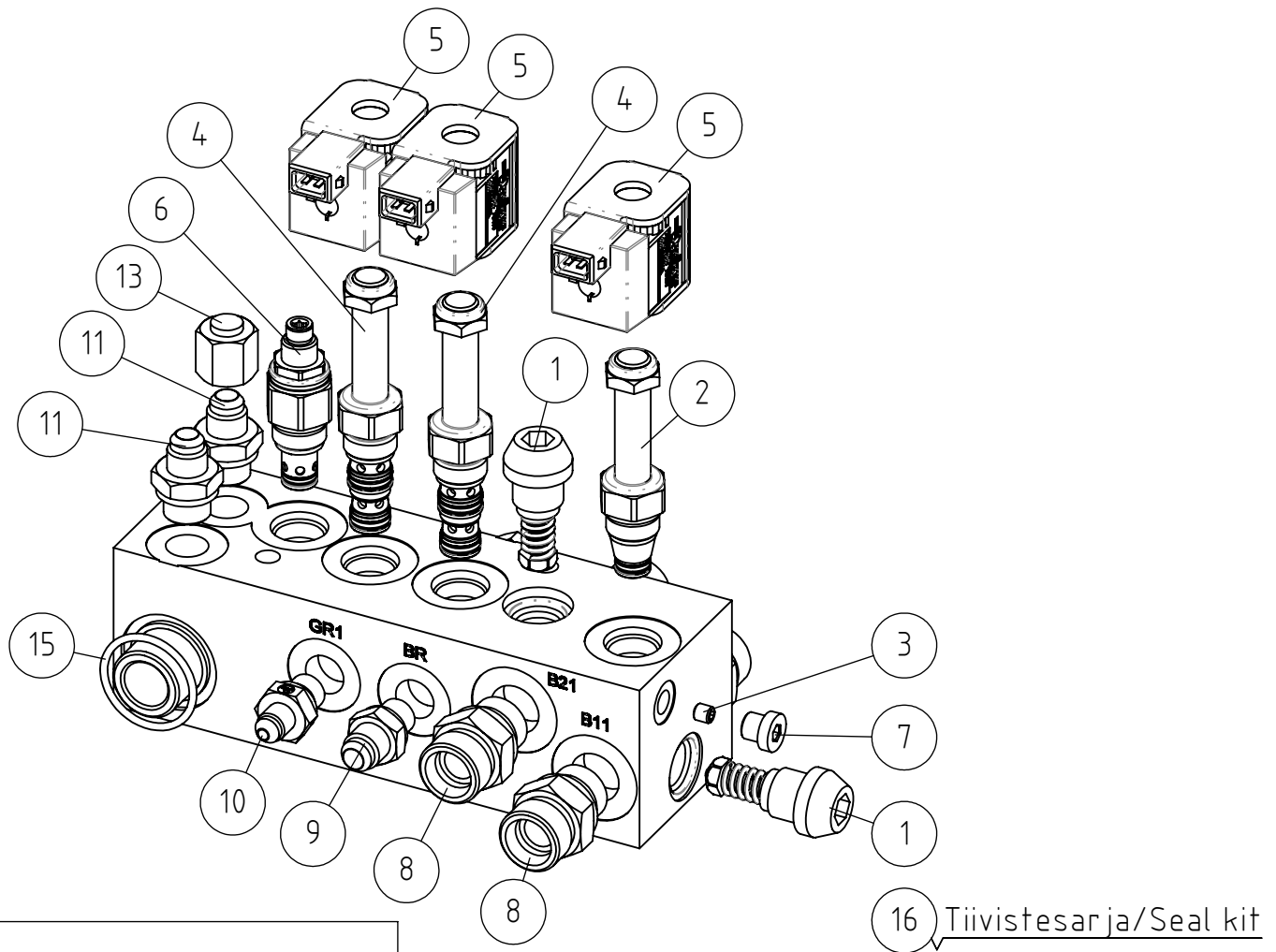
2.2.2024

Avant 640 (2 speed)

A452890 HYDR. HOSES DRIVE 500-600 SERIES 2-SPEED

REF	PART NO	QTY	DESCRIPTION	NOTES	PAGE
1	A451904	1	HYDRAULIC MANIFOLD ANTI SLIP VALVE		-
2	A454022	1	HYDRAULIC MANIFOLD 2-SPEED		122
3	A421825	1	BANJO BOLT, HYDR. MANIFOLD		-
4	75112	2	O-RING NBR F 32,99*2,62 90SH		-
5	A449892	8	BASIC FITTING G1/2" M24*1,5		-
6	64059	8	BASIC FITTING F40XS10-1/4		-
7	64087	2	ELBOW FITTING 90 DEGR. /4#		-
8	64078	4	L-FITTING BODY R6XS10		-
9	64232	1	FITTING HEAD FNTXS10		-
10	64040	1	BASIC FITTING F40XS10-1/2 /2		-
11	64070	1	T FITTING S6XS10		-
12	64041	1	BASIC FITTING F40XS10-3/8 /8		-
13	66361	1	HOSE BARB 45° R3/4"UK - 20MM		-
14	64557	1	BANJO BOLT R 1/4"		-
15	73757	2	USIT COMPRESSION R1/4"		-
16	A428535	2	HYDR. HOSE L=350		-
17	A424830	1	HYDR. HOSE L=1000		-
18	A415353	1	HYDR. HOSE L=380		-
19	A446654	1	HYDR. HOSE L=450		-
20	A410165	2	HYDR. HOSE L=300		-
21	A415120	2	HYDR. HOSE L=750		-
22	A422996	1	HYDR. HOSE L=1130		-
23	A415350	1	HYDR. HOSE L=1300		-
24	A410094	1	HYDR. HOSE L=350		-
25	A454837	1	HYDR. HOSE L=265		-
26	A451432	1	HYDR. HOSE L=1660		-
27	A451434	1	HYDR. HOSE L=300		-
28	A451295	1	HYDR. HOSE L=630		-
29	A452896	1	HYDR. HOSE L=1220		-
30	A451429	1	HYDR. HOSE L=670		-
31	A451302	1	HYDR. HOSE L=620		-
32	A451435	2	HYDR. HOSE L=1020		-
33	A450240	8	HEXAGONAL HEAD SCREW M10*90 12.9 DIN 912		-
34	A434424	8	SAFETY WASHER M10 3/8"		-
35	A37332	1	MOUNTING PLATE HYDRAULIC MANIFOLD, ASSEM		-

A454022 HYDRAULIC MANIFOLD 2-SPEED

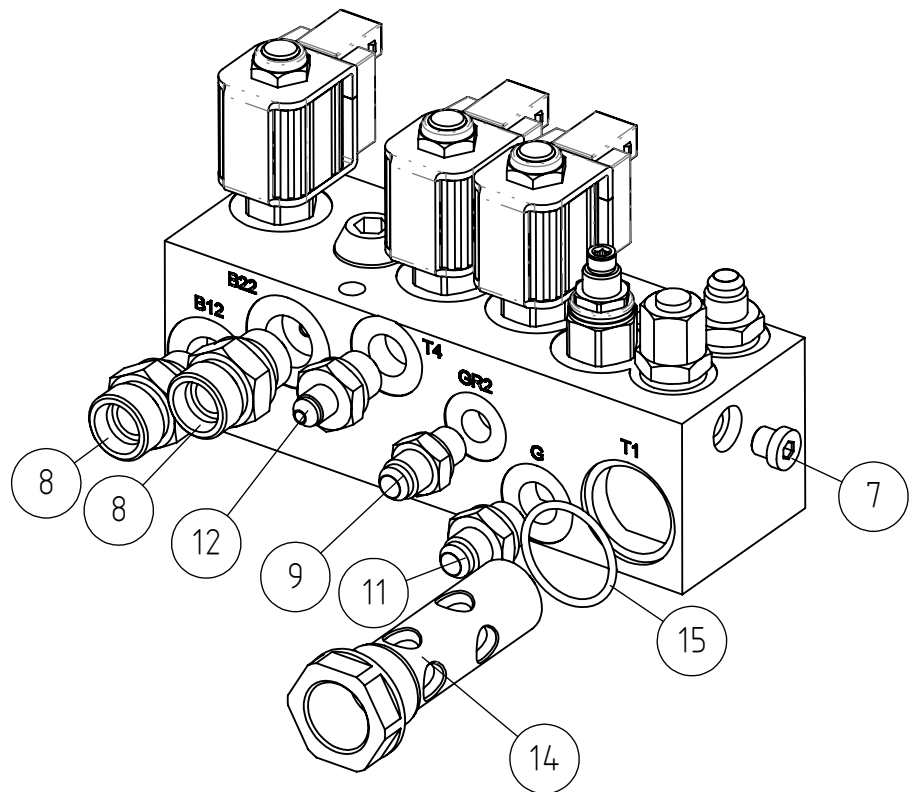


HUOM!
 Nimike A454022 sisältää osat (1) - (13)

Tiivistesarja (16) sisältää osien (1), (2), (4) ja (6) tiivisteet

NOTE!
 Item A454022 includes parts (1) - (13)

Seal kit (16) includes seals for parts (1), (2), (4) and (6)



2.2.2024

A454022 HYDRAULIC MANIFOLD 2-SPEED

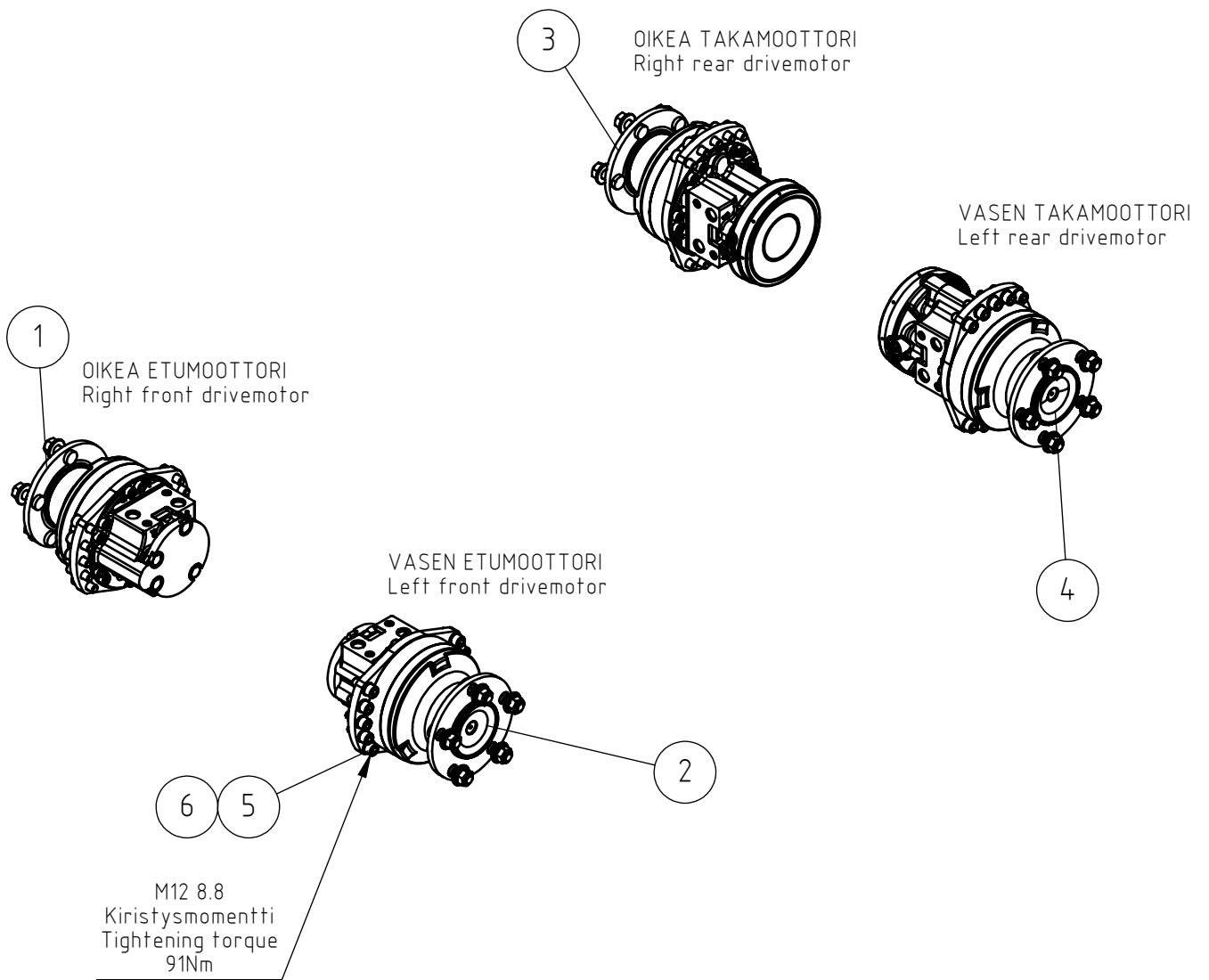
REF	PART NO	QTY	DESCRIPTION	NOTES	PAGE
1	A428734	2	PRESSURE RELIEF VALVE CARTRIDGE 380BAR		-
2	A432309	1	VALVE CARTRIDGE DRIVE RELEASE OPTIDRIVE		-
3	A428738	1	FLOW RESTRICTOR M6/1,0MM		-
4	A428584	2	VALVE CARTRIDGE SPOOL VALVE 3/2		-
5	66452	3	SOLENOID 12VDC/19W		-
6	A428735	1	PRESSURE RELIEF VALVE CARTRIDGE 30BAR		-
7	64407	2	HEXAGONAL PLUG R 1/8" WITH PACKING		-
8	A449892	4	BASIC FITTING G1/2" M24*1,5		-
9	64059	2	BASIC FITTING F40XS10-1/4		-
10	64678	1	BASIC FITTING F40XS6-1/4"		-
11	64041	3	BASIC FITTING F40XS10-3/8 /8		-
12	64313	1	BASIC FITTING F40XS6-3/8"		-
13	64232	1	FITTING HEAD FNTXS10		-
14	A421825	1	BANJO BOLT, HYDR. MANIFOLD		-
15	75112	2	O-RING NBR F 32,99*2,62 90SH		-
16	A428794	1	SEAL KIT HYDRAULIC MANIFOLD A421615		-

122/220

2.2.2024

Avant 640 (2 speed)

A444958 HYDRAULIC MOTOR ASSEMBLY 398/199 CCM



2.2.2024

Avant 640 (2 speed)

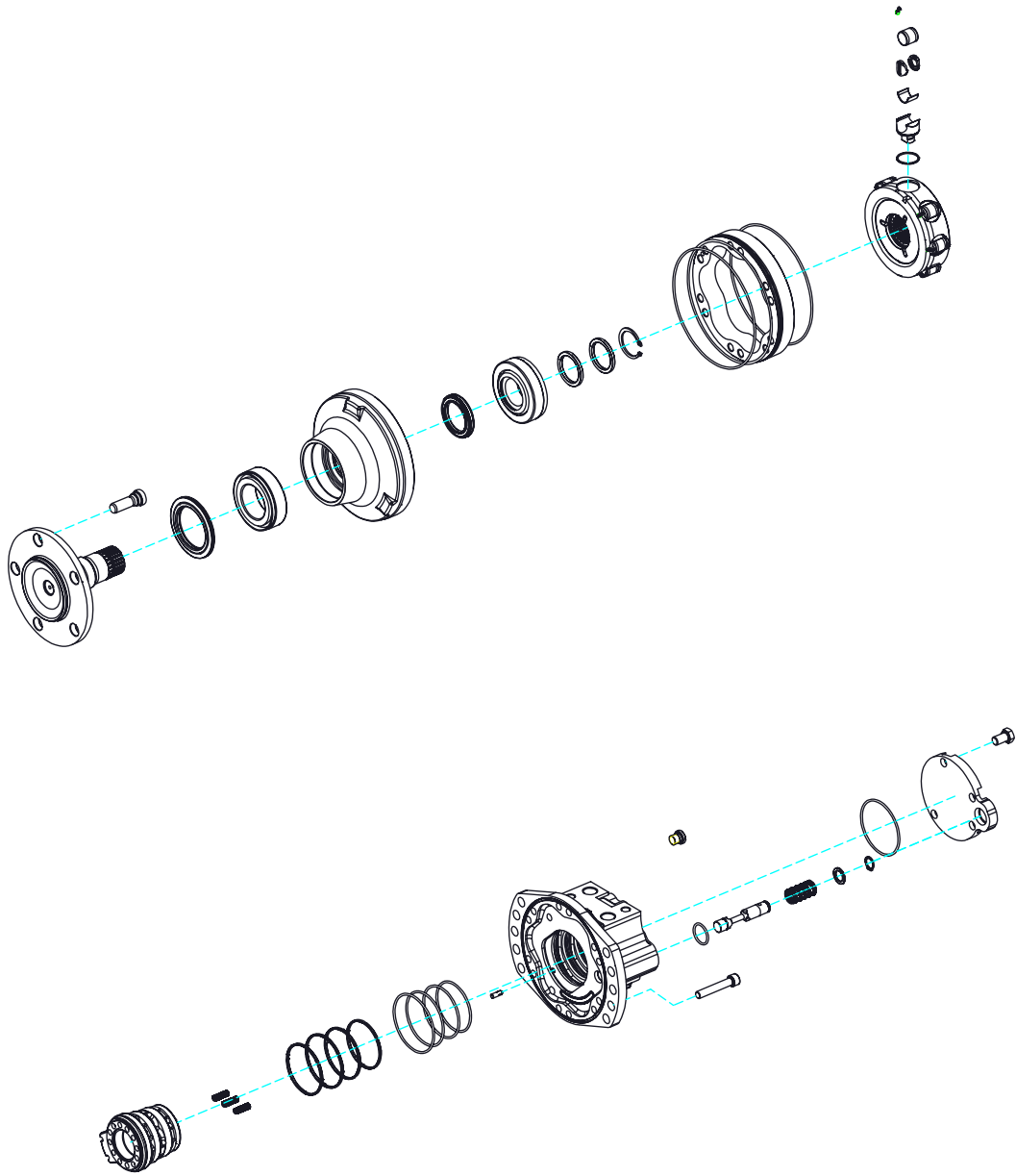
A444958 HYDRAULIC MOTOR ASSEMBLY 398/199 CCM

REF	PART NO	QTY	DESCRIPTION	NOTES	PAGE
1	65666	1	HYDRAULIC MOTOR MSE02 RIGHT 398/199		126
2	65667	1	HYDRAULIC MOTOR MSE02 LEFT 398/199CM3		-
3	65668	1	HYDRAULIC MOTOR MSE02 WITH BRAKE RIGHT		128
4	65669	1	HYDRAULIC MOTOR MSE02 WITH BRAKE LEFT		-
5	74846	40	HEXAGONAL HEAD SCREW M12*30 DIN912		-
6	74532	40	WASHER NORDLOCK NL12		-

124/220

2.2.2024

65666 HYDRAULIC MOTOR MSE02 RIGHT 398/199



2.2.2024

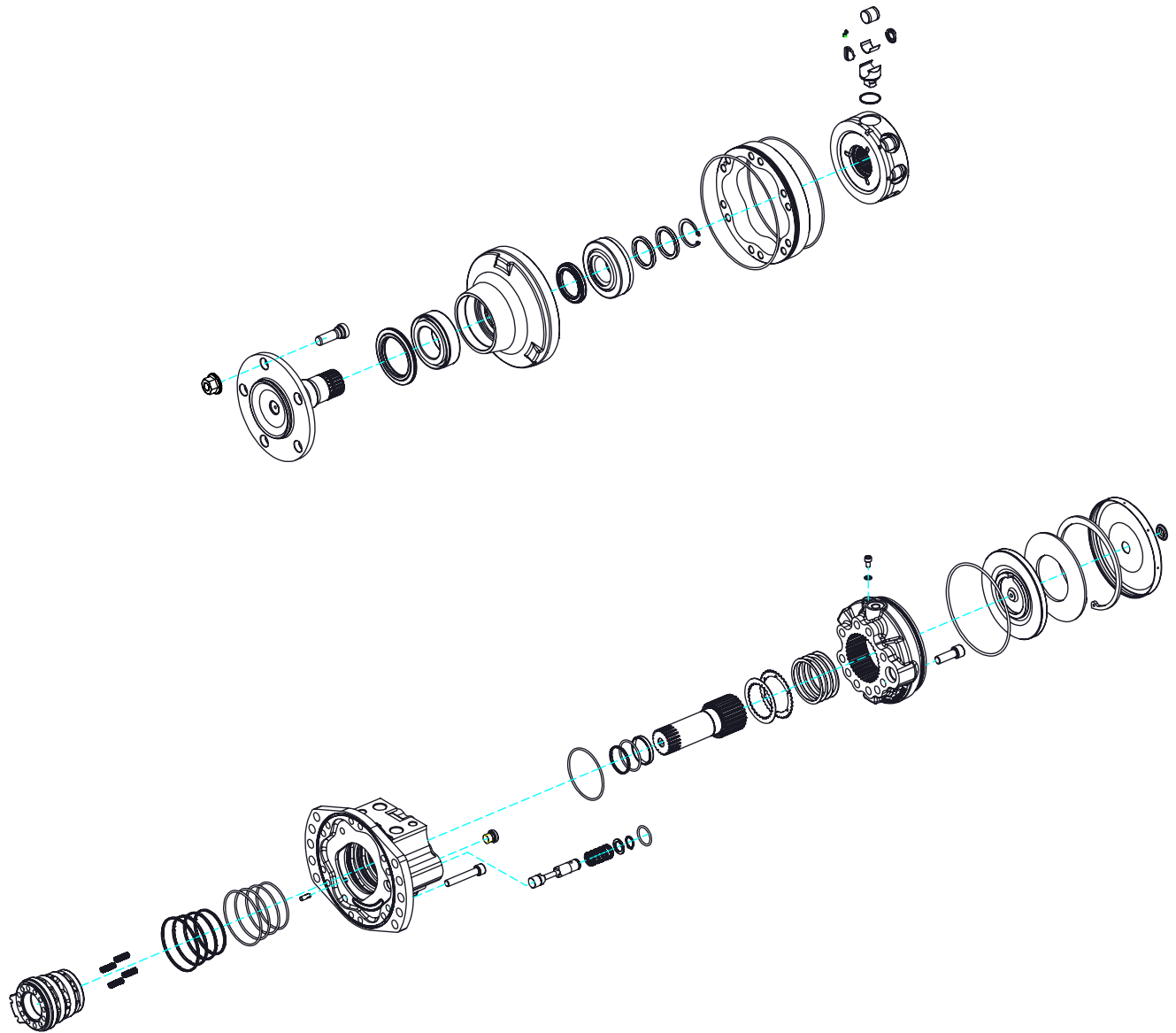
65666 HYDRAULIC MOTOR MSE02 RIGHT 398/199

REF	PART NO	QTY	DESCRIPTION	NOTES	PAGE
1	65666	1	HYDRAULIC MOTOR MSE02 RIGHT 398/199		126
2	A448105	1	SEAL KIT COMPLETE POCLAIN HYDR. MOTOR		-
3	A448120	1	SEAL KIT POCLAIN REPAIR KIT HYDR. MOTOR		-
4	A448122	1	SEAL KIT POCLAIN OPENING KIT HYDR. MOTOR		-
5	74866	1	WHEEL NUT M14*1.5 AV22 POCLAIN		-
6	75143	1	WHEEL BOLT M14*1.5-45 12.9 POCLAIN		-

126/220

2.2.2024

65668 HYDRAULIC MOTOR MSE02 WITH BRAKE RIGHT



2.2.2024

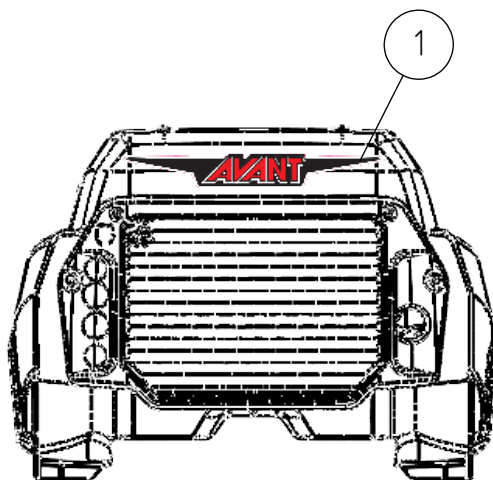
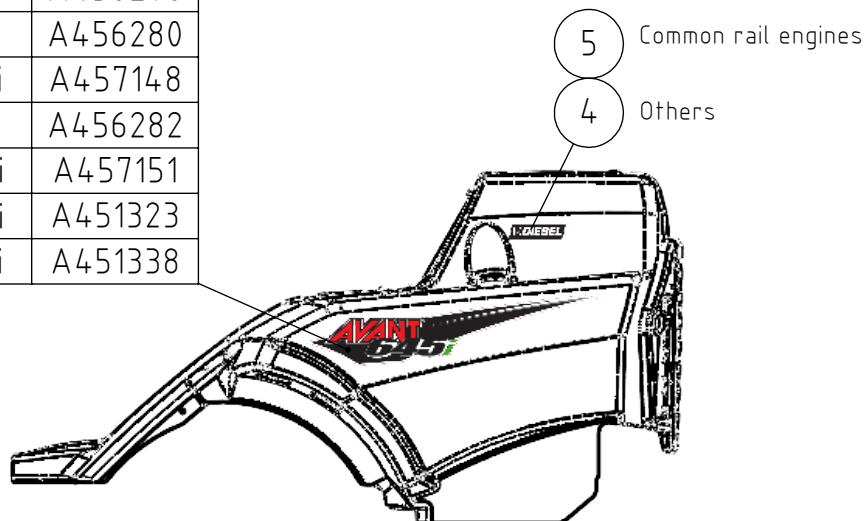
65668 HYDRAULIC MOTOR MSE02 WITH BRAKE RIGHT

REF	PART NO	QTY	DESCRIPTION	NOTES	PAGE
1	65668	1	HYDRAULIC MOTOR MSE02 WITH BRAKE RIGHT		128
2	A448120	1	SEAL KIT POCLAIN REPAIR KIT HYDR. MOTOR		-
3	A448122	1	SEAL KIT POCLAIN OPENING KIT HYDR. MOTOR		-
4	A448123	1	SEAL KIT COMPLETE POCLAIN HYDR. MOTOR		-
5	74866	1	WHEEL NUT M14*1.5 AV22 POCLAIN		-

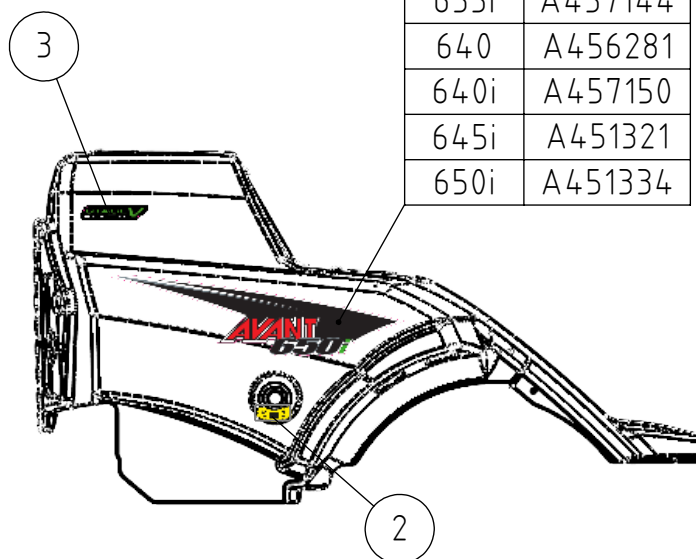
128/220

A451697 DECAL KIT REAR FRAME 528 - 650I ROPS

Avant	Tarra
528	A456273
530	A456276
630	A456278
635	A456280
635i	A457148
640	A456282
640i	A457151
645i	A451323
650i	A451338



Avant	Sticker
528	A456272
530	A456274
630	A456277
635	A456279
635i	A457144
640	A456281
640i	A457150
645i	A451321
650i	A451334



2.2.2024

A451697 DECAL KIT REAR FRAME 528 - 650I ROPS

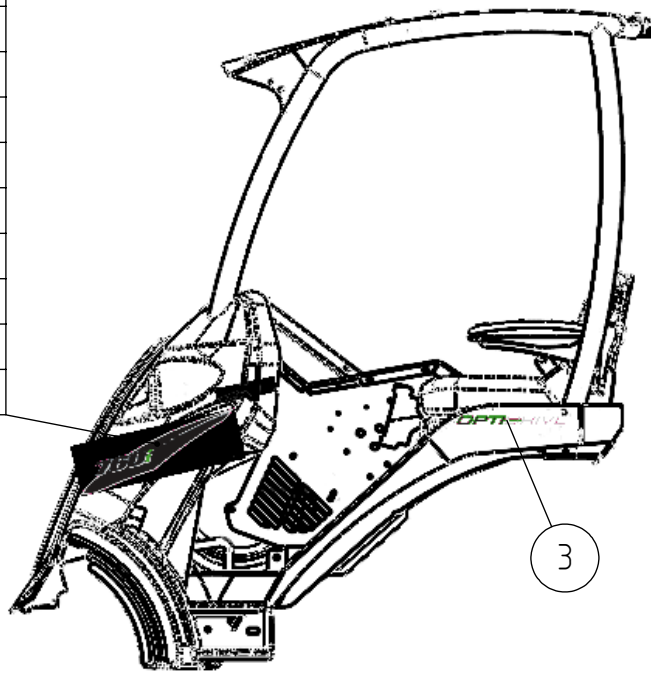
REF	PART NO	QTY	DESCRIPTION	NOTES	PAGE
1	A451326	1	DECAL "AVANT" WITH BLACK WINGS REAR		-
2	A417404	1	DECAL BATTERY DISCONNECT SWITCH		-
3	A432169	1	DECAL "STAGE V ENGINE" 137X33		-
4	A441353	1	DECAL "DIESEL" 114X31,5		-
5	A441354	1	DECAL "LOW SULPHUR DIESEL FUEL ONLY"		-
6	A456272	1	DECAL "AVANT 528" REAR FRAME RIGHT SIDE		-
7	A456273	1	DECAL "AVANT 528" REAR FRAME LEFT SIDE		-
8	A456274	1	DECAL "AVANT 530" REAR FRAME RIGHT SIDE		-
9	A456276	1	DECAL "AVANT 530" REAR FRAME LEFT SIDE		-
10	A456277	1	DECAL "AVANT 630" REAR FRAME RIGHT SIDE		-
11	A456278	1	DECAL "AVANT 630" REAR FRAME LEFT SIDE		-
12	A456279	1	DECAL "AVANT 635" REAR FRAME RIGHT SIDE		-
13	A456280	1	DECAL "AVANT 635" REAR FRAME LEFT SIDE		-
14	A457144	1	DECAL "AVANT 635I" REAR FRAME RIGHT SIDE		-
15	A457148	1	DECAL "AVANT 635I" REAR FRAME LEFT SIDE		-
16	A456281	1	DECAL "AVANT 640" REAR FRAME RIGHT SIDE		-
17	A456282	1	DECAL "AVANT 640" REAR FRAME LEFT SIDE		-
18	A457150	1	DECAL "AVANT 640I" REAR FRAME RIGHT SIDE		-
19	A457151	1	DECAL "AVANT 640I" REAR FRAME LEFT SIDE		-
20	A451321	1	DECAL "AVANT 645I" RIGHT SIDE REAR FRAME		-
21	A451323	1	DECAL "AVANT 645I" LEFT SIDE REAR FRAME		-
22	A451334	1	DECAL "AVANT 650I" RIGHT SIDE REAR FRAME		-
23	A451338	1	DECAL "AVANT 650I" LEFT SIDE REAR FRAME		-

130/220

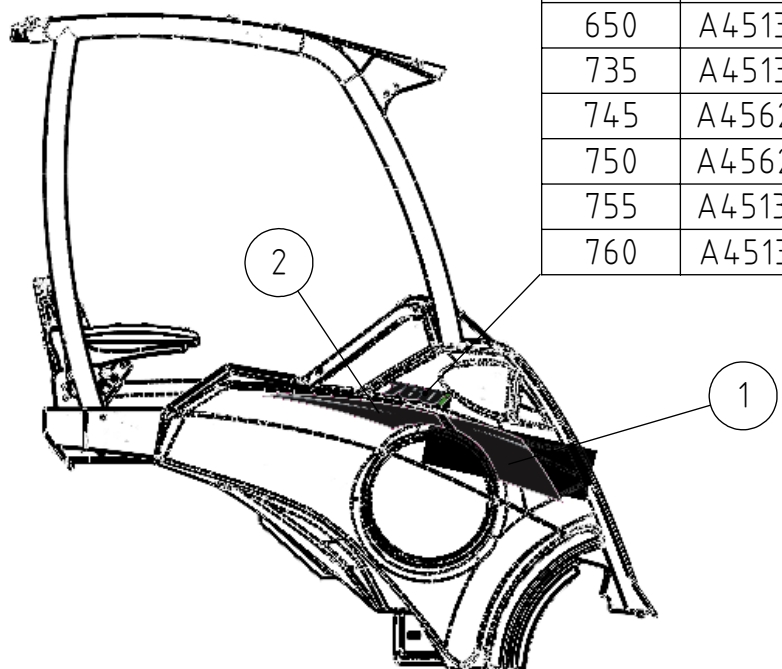
2.2.2024

A451678 DECAL KIT FRONT FRAME 645I - 760I ROPS

Avant	Sticker
520	A457029
523	A456300
528	A456284
530	A456286
630	A456289
635	A456291
635i	A457019
640	A456294
640i	A457023
645	A451345
650	A451346
735	A451347
745	A456296
750	A456298
755	A451348
760	A451314



Avant	Tarra
520	A457028
523	A456299
528	A456283
530	A456285
630	A456288
635	A456290
635i	A457018
640	A456292
640i	A457022
645	A451322
650	A451342
735	A451343
745	A456295
750	A456297
755	A451344
760	A451325



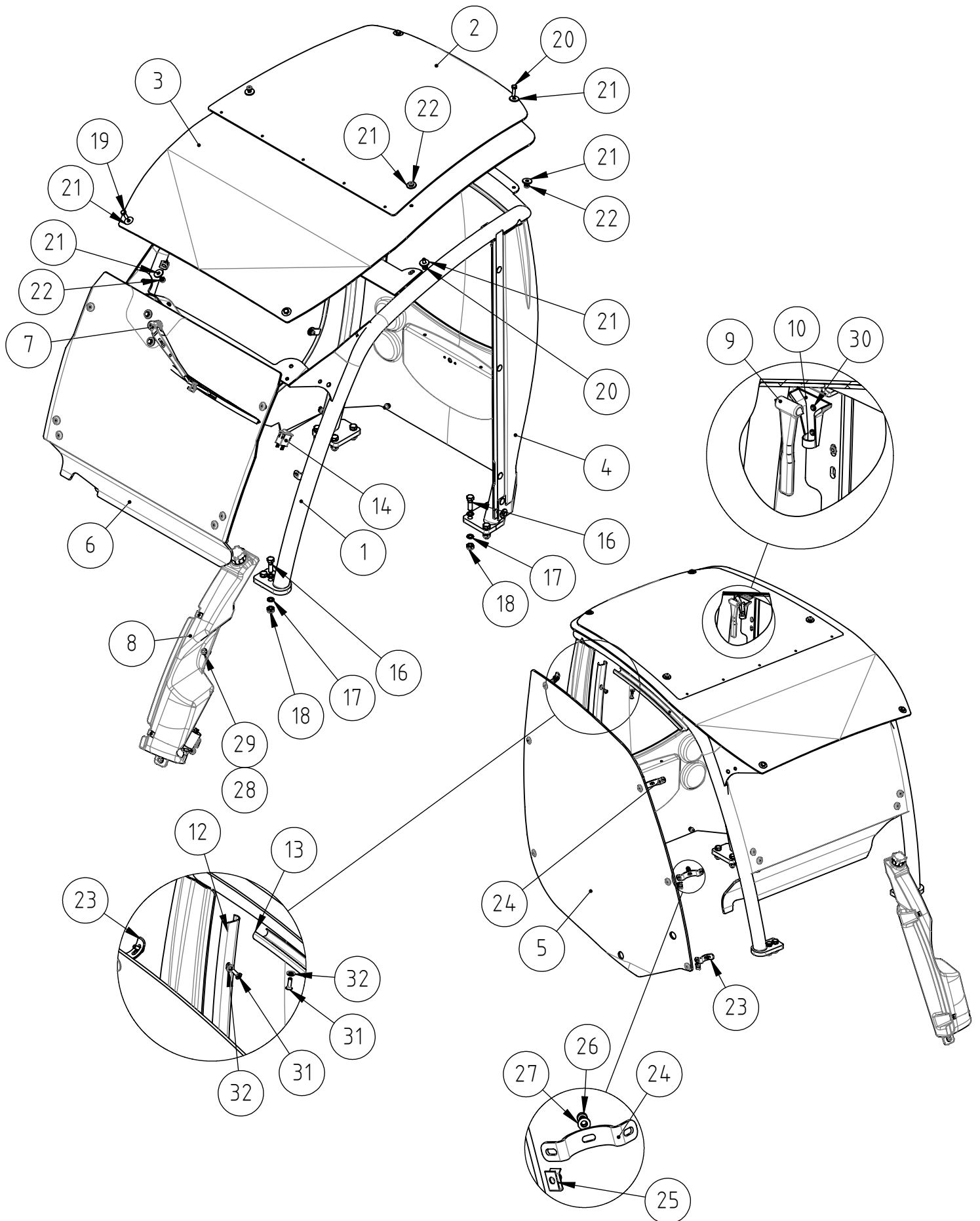
2.2.2024

A451678 DECAL KIT FRONT FRAME 645I - 760I ROPS

REF	PART NO	QTY	DESCRIPTION	NOTES	PAGE
1	A451313	1	DECAL BLACK STRIPE LOWER RIGHT SIDE		-
2	A451381	1	DECAL BLACK STRIPE UPPER, RIGHT SIDE		-
3	A451318	1	DECAL "OPTIDRIVE" LEFT SIDE FRONT FRAME		-
4	A457028	1	DECAL "520" FRONT FRAME RIGHT SIDE		-
5	A457029	1	DECAL "520" FRONT FRAME ROPS LEFT SIDE		-
6	A456299	1	DECAL "523" FRONT FRAME RIGHT SIDE		-
7	A456300	1	DECAL "523" FRONT FRAME ROPS LEFT SIDE		-
8	A456283	1	DECAL "528" FRONT FRAME RIGHT SIDE		-
9	A456284	1	DECAL "528" FRONT FRAME ROPS LEFT SIDE		-
10	A456285	1	DECAL "530" FRONT FRAME RIGHT SIDE		-
11	A456286	1	DECAL "530" FRONT FRAME ROPS LEFT SIDE		-
12	A456288	1	DECAL "630" FRONT FRAME RIGHT SIDE		-
13	A456289	1	DECAL "630" FRONT FRAME ROPS LEFT SIDE		-
14	A456290	1	DECAL "635" FRONT FRAME RIGHT SIDE		-
15	A456291	1	DECAL "635" FRONT FRAME ROPS LEFT SIDE		-
16	A457018	1	DECAL "635I" FRONT FRAME RIGHT SIDE		-
17	A457019	1	DECAL "635I" FRONT FRAME ROPS LEFT SIDE		-
18	A456292	1	DECAL "640" FRONT FRAME RIGHT SIDE		-
19	A456294	1	DECAL "640" FRONT FRAME ROPS LEFT SIDE		-
20	A457022	1	DECAL "640I" FRONT FRAME RIGHT SIDE		-
21	A457023	1	DECAL "640I" FRONT FRAME ROPS LEFT SIDE		-
22	A451322	1	DECAL "645I" RIGHT SIDE FRONT FRAME		-
23	A451345	1	DECAL "645I" LEFT SIDE FRONT FRAME ROPS		-
24	A451342	1	DECAL "650I" RIGHT SIDE FRONT FRAME		-
25	A451346	1	DECAL "650I" LEFT SIDE FRONT FRAME ROPS		-
26	A451343	1	DECAL "735" RIGHT SIDE FRONT FRAME		-
27	A451347	1	DECAL "735" LEFT SIDE FRONT FRAME ROPS		-
28	A464135	1	DECAL "735I" FRONT FRAME RIGHT		-
29	A464137	1	DECAL "735I" FRONT FRAME ROPS LEFT		-
30	A456295	1	DECAL "745" FRONT FRAME RIGHT SIDE		-
31	A456296	1	DECAL "745" FRONT FRAME ROPS LEFT SIDE		-
32	A456297	1	DECAL "750" FRONT FRAME RIGHT SIDE		-
33	A456298	1	DECAL "750" FRONT FRAME ROPS LEFT SIDE		-
34	A451344	1	DECAL "755I" RIGHT SIDE FRONT FRAME		-
35	A451348	1	DECAL "755I" LEFT SIDE FRONT FRAME ROPS		-
36	A451325	1	DECAL "760I" RIGHT SIDE FRONT FRAME		-
37	A451314	1	DECAL "760I" LEFT SIDE FRONT FRAME ROPS		-

132/220

A449937 CAB L



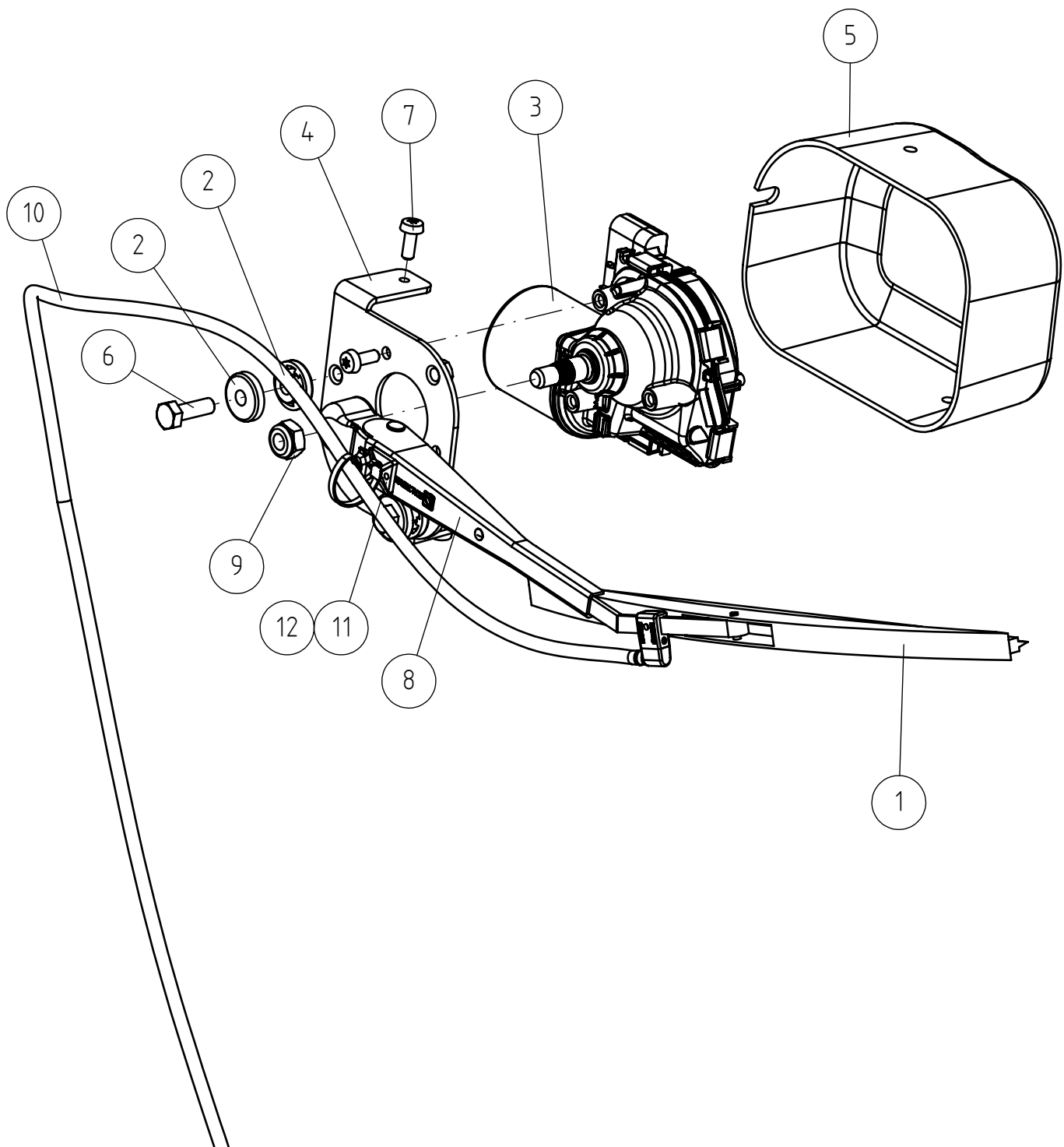
2.2.2024

A449937 CAB L

REF	PART NO	QTY	DESCRIPTION	NOTES	PAGE
1	A33920	1	ROPS FRAME 1090 MM 600/700 SERIES		-
2	A48905	1	FOPS CANOPY PLATE 500/600/700		-
3	A410091	1	CANOPY, POLYCARBONATE		-
4	A49446	1	REAR WALL WITH WINDOW 500/600/700/R/E		-
5	A49451	1	WINDOW, RIGHT, COMPLETE, CAB L 500-700		-
6	A443961	1	WINDSCREEN ASSEMBLY CAB L 500/600/700/E		-
7	A443979	1	WINDSCREEN WIPER ASSEMBLY CAB L 523-7601		136
8	A446010	1	TANK ASSEMBLY WINDSCREEN WASHER		138
9	64986	1	EMERGENCY HAMMER HAPPICH RED		-
10	A432729	1	BRACKET, EMERGENCY HAMMER 64986		-
11	A411021	1	DECAL "EMERGENCY EXIT"		-
12	A49080	1	COVER STRIP, SIDE		-
13	A49079	1	COVER STRIP, MIDDLE		-
14	65063	1	SWITCH, WIPER/WASHER		-
15	A441037	1	WIRE HARNESS CAB L AVANT 700-800		-
16	73322	10	HEXAGONAL SCREW M12*40 DIN 931		-
17	74532	20	WASHER NORDLOCK NL12		-
18	72324	10	HEXAGONAL NUT M 12 NYLOC DIN 985		-
19	72132	2	HEXAGONAL SCREW M 8*25 DIN 933 ZN		-
20	72133	4	HEXAGONAL SCREW M8*30 DIN 933		-
21	71685	12	WASHER M8 R9 DIN 440 ZN		-
22	72320	6	HEXAGONAL NUT M8 NYLOC DIN 985		-
23	A49699	4	MOUNTING BRACKET ONE SIDED		-
24	A49698	2	MOUNTING BRACKET TWO SIDED		-
25	75172	4	SPEED NUT M5 FOR 0.5-4.0 MM PLATE		-
26	73766	6	HEXAGONAL HEAD SCREW M6*16 DIN 912 2 8.8		-
27	71680	6	WASHER M6 DIN 125		-
28	A450046	2	HEXAGONAL NUT M8 WITH FLANGE		-
29	A429202	2	HEXAGONAL SERRATED SCREW M8*25 WITH FLAN		-
30	A429345	2	PAN HEAD MACHINE SCREW M4*10		-
31	74767	5	RAISED COUNTERSUNK HEAD SCREW M6*20		-
32	74768	5	WASHER CONICAL M6		-

2.2.2024

A443979 WINDSCREEN WIPER ASSEMBLY CAB L 523-760I



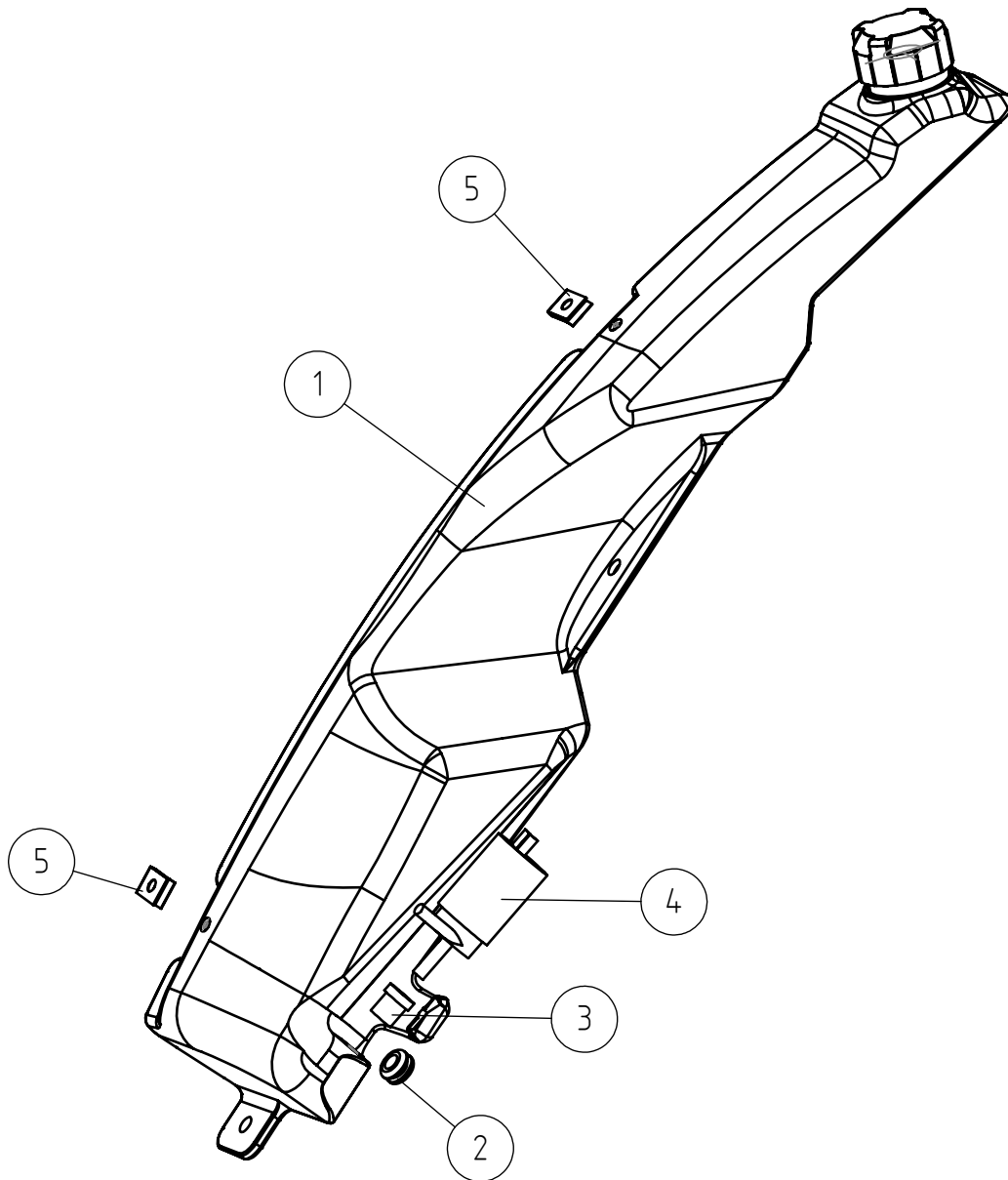
2.2.2024

A443979 WINDSCREEN WIPER ASSEMBLY CAB L 523-760I

REF	PART NO	QTY	DESCRIPTION	NOTES	PAGE
1	A440135	1	WIPER BLADE L=400MM		-
2	A441784	4	BUSHING PLASTIC D16,9/D8 - L8,1		-
3	A446829	1	ELECTRIC MOTOR PROGRAMMED WINDSCREEN		-
4	A440457	1	BRACKET MOTOR WINDSCREEN WIPER		-
5	A440716	1	COVER MOTOR WINDSCREEN WIPER		-
6	A427795	2	HEXAGONAL SCREW M8*25 DIN 933 8.8		-
7	A437544	4	THREAD-FORMING SCREW BLACK M6*16 DIN		-
8	A443799	1	ARM, WINDSCREEN WIPER M10 L=302 WITH		-
9	72322	1	HEXAGONAL NUT M 10 NYLOC DIN 985		-
10	A460684	1	HOSE WINDSCREEN WASHER CAB L		-
11	A455710	1	SOCKET ADHESIVE 19X19 CABLE TIE		-
12	A431459	1	CABLE TIE 3,6*281 BLACK		-

2.2.2024

A446010 TANK ASSEMBLY WINDSCREEN WASHER



2.2.2024

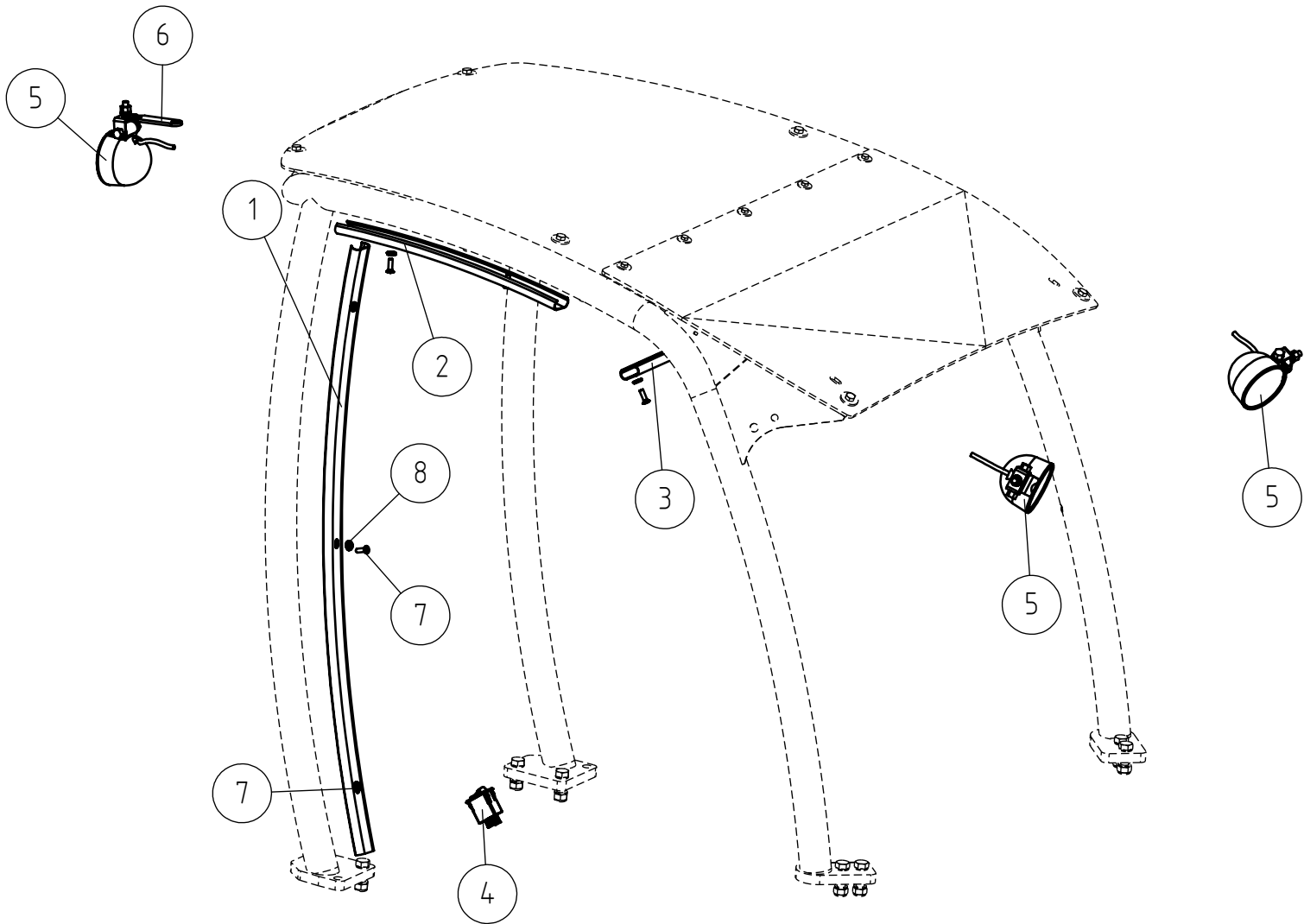
A446010 TANK ASSEMBLY WINDSCREEN WASHER

REF	PART NO	QTY	DESCRIPTION	NOTES	PAGE
1	A450244	1	TANK WITH CAP WINDSCREEN WASHER		-
2	64865	1	GROMMET F18/12/9,51-3		-
3	64991	1	GROMMET F18/14/6, H14/H5 ,2012306		-
4	65017	1	PUMP 12V, WINDSCREEN WASHER		-
5	74807	2	SPEED NUT M6, FOR 0.5-4.0 MM PLATE		-

138/220

2.2.2024

A438520 WORK LIGHT KIT, 3 LED LIGHTS 700 LUMEN

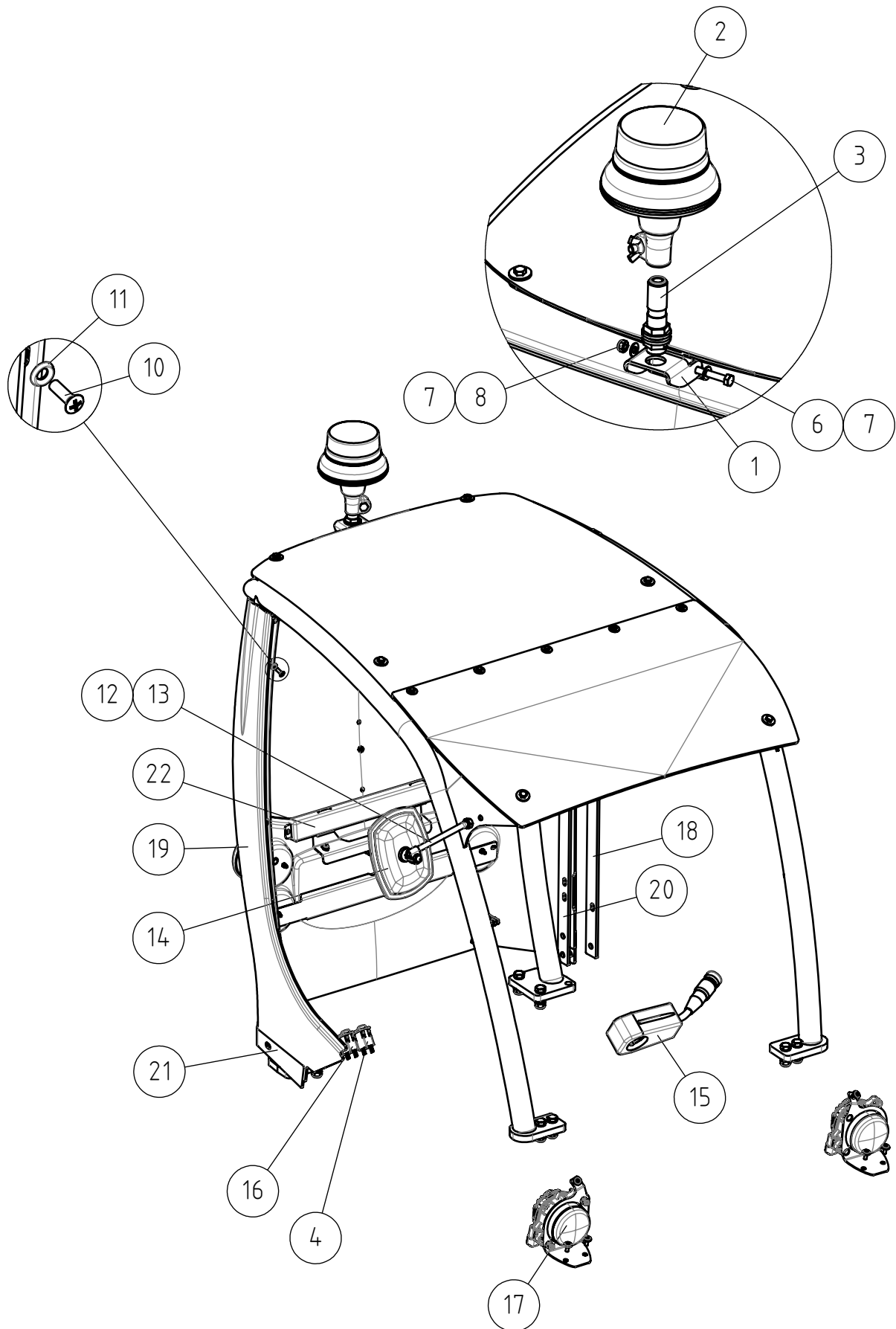


2.2.2024

A438520 WORK LIGHT KIT, 3 LED LIGHTS 700 LUMEN

REF	PART NO	QTY	DESCRIPTION	NOTES	PAGE
1	A49080	1	COVER STRIP, SIDE		-
2	A49079	1	COVER STRIP, MIDDLE		-
3	A49077	1	COVER STRIP, UPPER		-
4	65066	1	SWITCH, WORK LIGHT		-
5*	66068	3	WORK LIGHT LED 700 LUMEN 12V/12W COBO	700 Lumen	-
5**	A419163	3	WORK LIGHT LED 2500 LUMEN WITH CONNECTOR	2500 Lumen	-
6	A412802	1	MOUNTING BRACKET WORK LIGHT LED		-
7	74767	8	RAISED COUNTERSUNK HEAD SCREW M6*20		-
8	74768	8	WASHER CONICAL M6		-
9	A437372	1	WIRE HARNESS WORK LIGHT KIT / BEACON		-

A449941 ROAD TRAFFIC KIT, ON ROPS 500-600 SERIES



2.2.2024

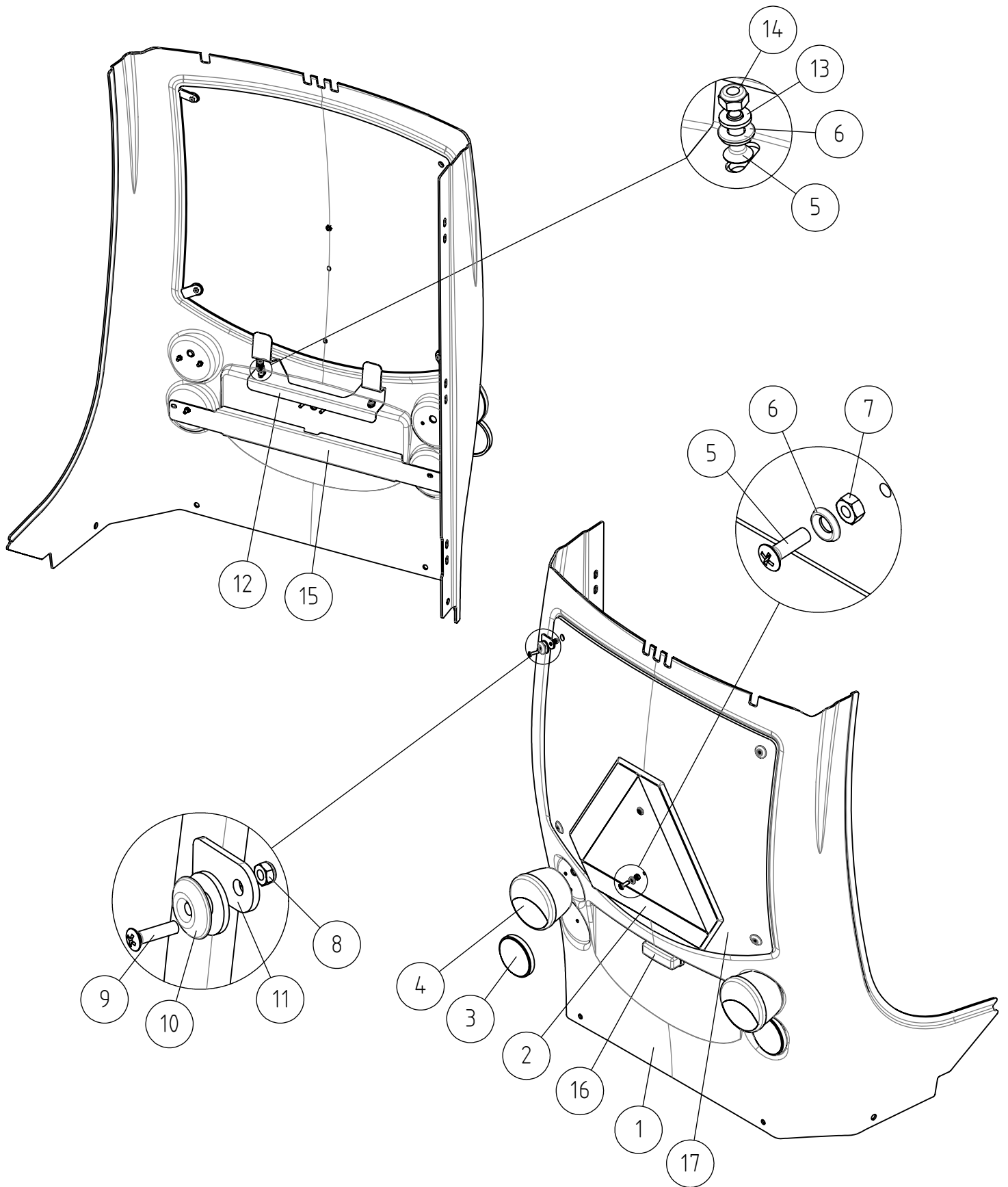
A449941 ROAD TRAFFIC KIT, ON ROPS 500-600 SERIES

REF	PART NO	QTY	DESCRIPTION	NOTES	PAGE
1	A49059	1	BRACKET, BEACON		-
2	A435335	1	BEACON, ORANGE WITH LED LIGHT 11W		-
3	65058	1	BRACKET (PIN), BEACON		-
4	65065	1	SWITCH, BEACON		-
5	A437372	1	WIRE HARNESS WORK LIGHT KIT / BEACON		-
6	72143	1	HEX. SCREW M8*80 DIN 931		-
7	73122	2	WASHER M8 A8,4 DIN 125 ZN		-
8	72320	1	HEXAGONAL NUT M8 NYLOC DIN 985		-
9	A49080	1	COVER STRIP, SIDE		-
10	74767	2	RAISED COUNTERSUNK HEAD SCREW M6*20		-
11	74768	2	WASHER CONICAL M6		-
12	72323	2	HEXAGONAL NUT M12 DIN 934		-
13	A411594	1	ARM, SIDE MIRROR		-
14	64389	1	SIDE MIRROR CONVEX GLASS 185*135 MM		-
15	64851	1	LIGHTS/BLINKERS LEVER SWITCH		-
16	65064	1	SWITCH, WARNING BLINKER		-
17	A450854	1	HEADLAMPS / PARKING LIGHTS / INDICATOR		-
18	A49353	1	FRAME, OUTER		-
19	A412565	1	REAR WALL FOR ROAD TRAFFIC LIGHTS		144
20	A49354	1	FRAME, INNER		-
21	A49356	1	MOUNTING BRACKET, LOWER		-
22	A435070	1	SLOW MOVING VEHICLE TRIANGLE 430X45X30		-
23	A449798	1	WIRE HARNESS ROAD TRAFFIC KIT FRONT		-
23.1	A438175	2	RELAY 12V/30A		-
23.2	65751	1	INDICATOR RELAY 12V 84W WEH-54 201 102		-
24	A448317	1	WIRE HARNESS ROAD TRAFFIC KIT REAR WALL		-

142/220

2.2.2024

A412565 REAR WALL FOR ROAD TRAFFIC LIGHTS



2.2.2024

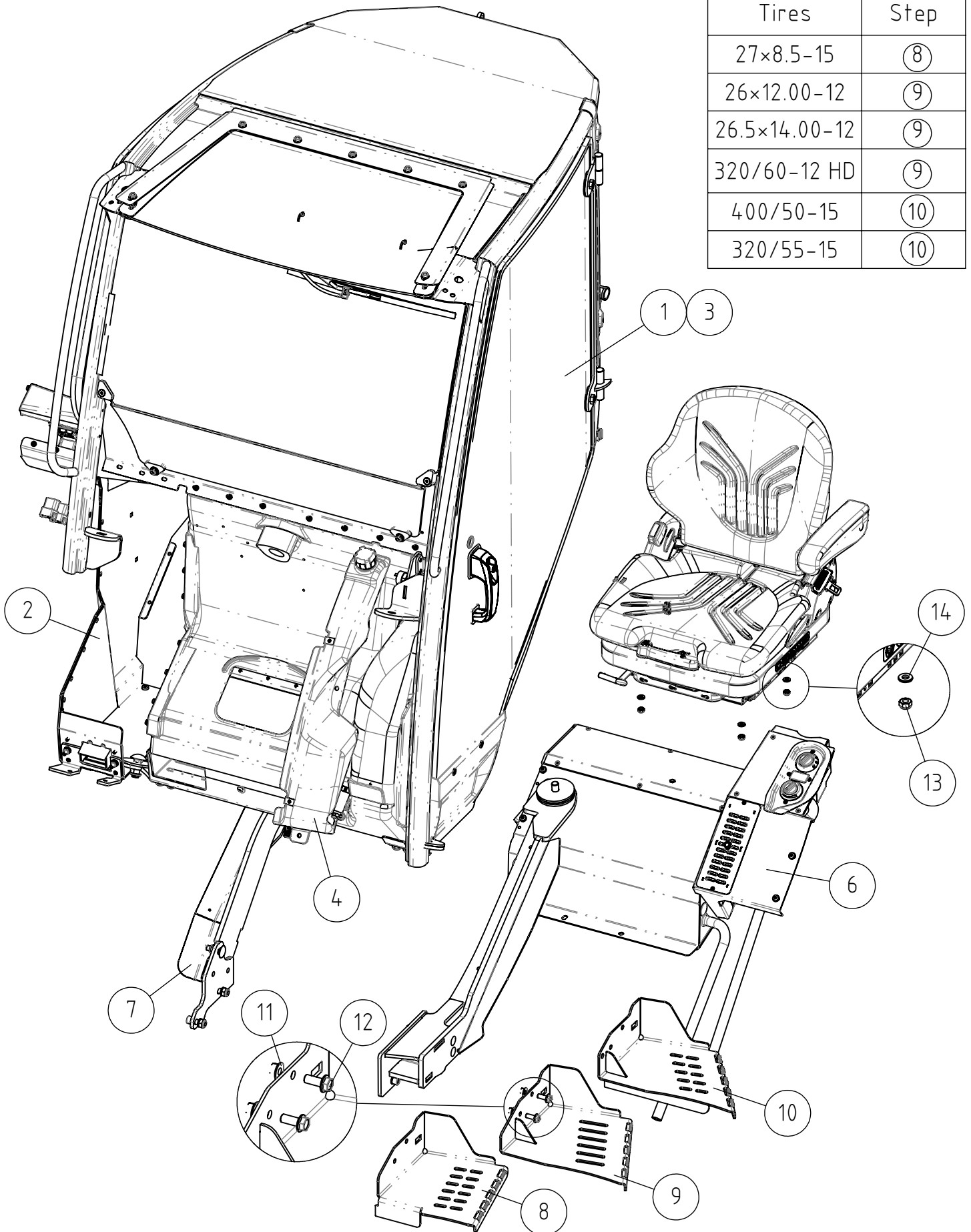
A412565 REAR WALL FOR ROAD TRAFFIC LIGHTS

REF	PART NO	QTY	DESCRIPTION	NOTES	PAGE
1	A412564	1	COVER PANEL REAR WITHOUT WINDOW		-
2	64733	1	SIGN, SLOW MOVING VEHICLE, RED		-
3	65057	2	REFLECTOR, RED		-
4	65263	2	REAR LIGHT / BLINKER		-
5	74767	4	RAISED COUNTERSUNK HEAD SCREW M6*20		-
6	74768	4	WASHER CONICAL M6		-
7	72317	2	HEXAGONAL NUT M6 DIN 934		-
8	72315	4	HEXAGONAL NUT M5 NYLOC DIN 985		-
9	74787	4	CROSS HEAD SCREW M5*20		-
10	74788	4	FASTENER, WINDOW, F25/F5-13		-
11	A410059	4	HOLDER		-
12	A412146	1	BRACKET, WARNING TRIANGLE		-
13	71680	2	WASHER M6 DIN 125		-
14	72318	2	HEXAGONAL NUT M 6 DIN 985 NYLOC		-
15	A412143	1	CABLE STRIP		-
16	A411791	1	LIGHT, LICENCE PLATE		-
17	A413489	1	REAR WINDOW		-

144/220

A444539 CAB GT, 700 SERIES

Tires	Step
27×8.5-15	⑧
26×12.00-12	⑨
26.5×14.00-12	⑨
320/60-12 HD	⑨
400/50-15	⑩
320/55-15	⑩



2.2.2024

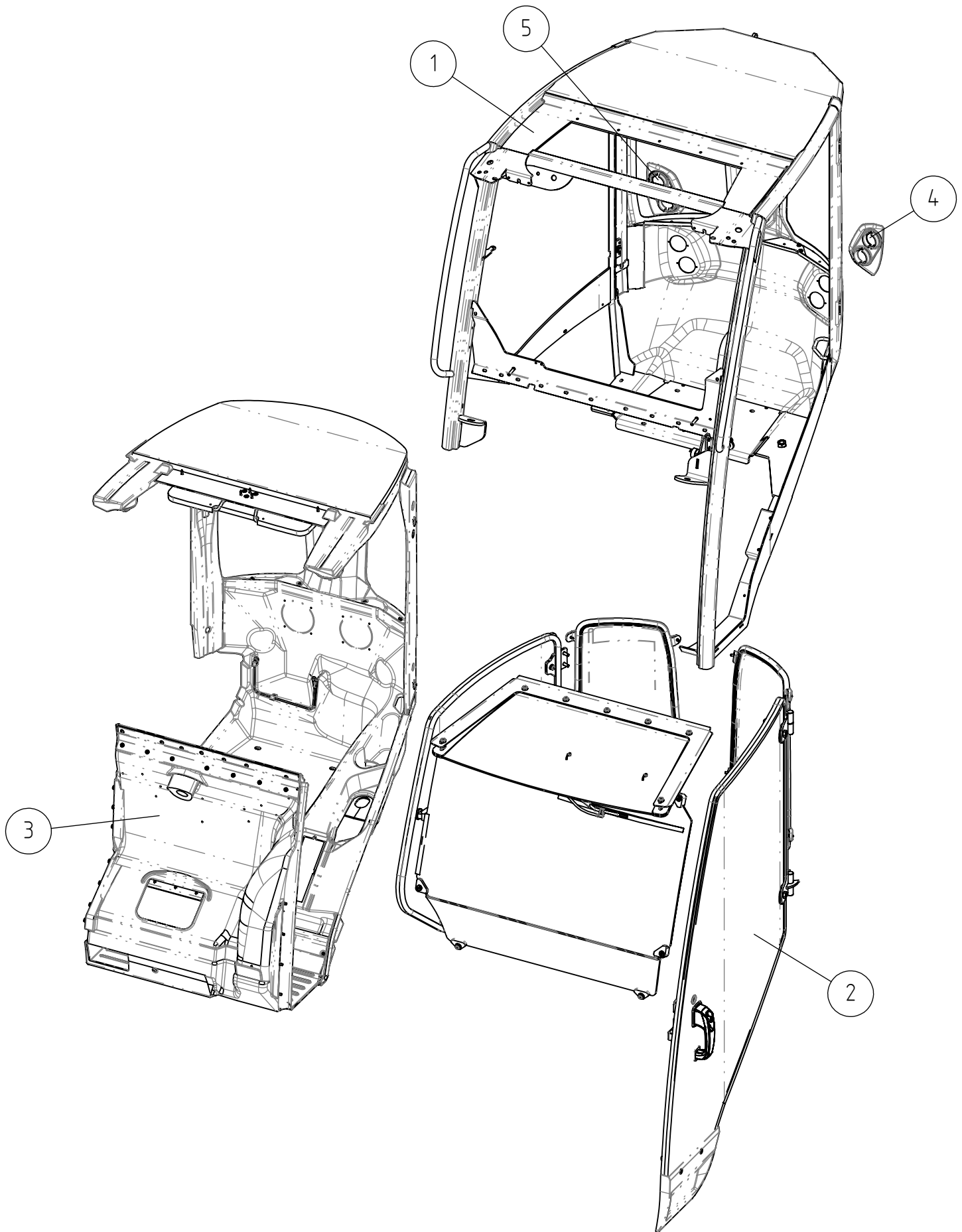
A444539 CAB GT, 700 SERIES

REF	PART NO	QTY	DESCRIPTION	NOTES	PAGE
1	A453487	1	BASIC PARTS CAB GT		148
2	A448127	1	CONTROLS ASSEMBLY CAB GT		188
3	A445920	1	WIRE HARNESS CAB GT TWIN FANS A/C		-
4	A446010	1	TANK ASSEMBLY WINDSCREEN WASHER		138
5	A449724	1	SEAT FULL SUSPENSION FABRIC HEATER MSG65		194
6	A438246	1	HEATER ASSEMBLY CAB GT		196
7	A442729	1	SUBFRAME CAB GT		198
8	A449935	1	STEP CAB GT 27X8.50-15 WHEELS		-
9	A451964	1			-
10	A451536	1	STEP CAB GT		-
11	A453082	2	HEXAGONAL NUT M10 DIN 6923		-
12	A432195	2	HEXAGONAL SERRATED SCREW M10*25 W. FLANG		-
13	72320	4	HEXAGONAL NUT M8 NYLOC DIN 985		-
14	63944	4	WASHER, PAIR, NORD-LOCK M8		-

146/220

2.2.2024

A453487 BASIC PARTS CAB GT



2.2.2024

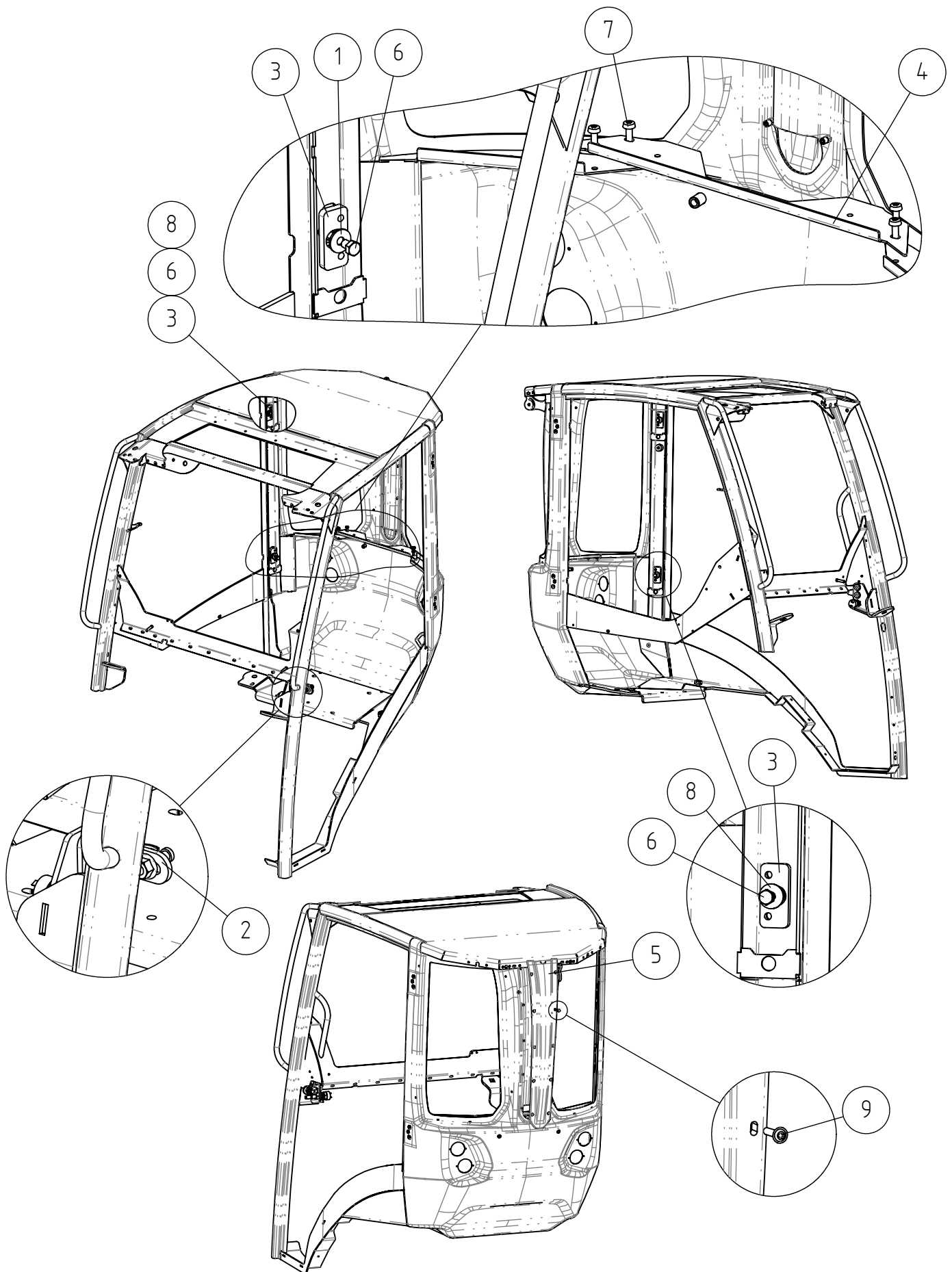
A453487 BASIC PARTS CAB GT

REF	PART NO	QTY	DESCRIPTION	NOTES	PAGE
1	A448117	1	FRAME CAB GT		150
2	A453483	1	DOOR AND WINDOWS ASSEMBLY CAB GT		154
3	A453489	1	UPHOLSTERY ASSEMBLY CAB GT		168
4	A438151	1	FRAME LEFT REAR LIGHTS CAB GT		-
5	A438155	1	FRAME RIGHT REAR LIGHTS CAB GT		-

148/220

2.2.2024

A448117 FRAME CAB GT



2.2.2024

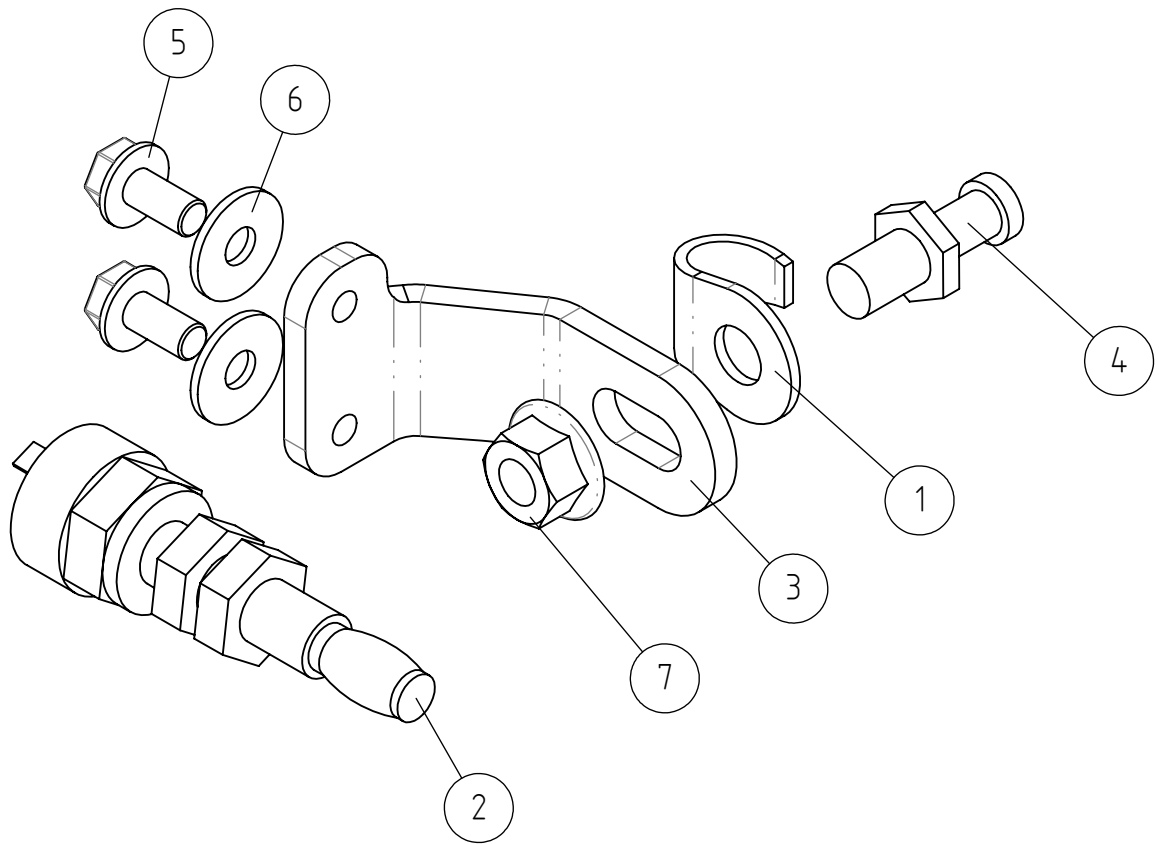
A448117 FRAME CAB GT

REF	PART NO	QTY	DESCRIPTION	NOTES	PAGE
1	A448118	1	FRAME CAB GT		-
2	A438895	1	LATCH ASSEMBLY		152
3	A435904	4	SPACER PLATE DOOR CAB GT		-
4	A434179	1	MOUNTING BRACKET		-
5	A438890	1	COVER C-PILLAR ASSEMBLY CAB GT		-
6	72128	4	HEXAGONAL SCREW M 8*12 DIN 933 ZN		-
7	75129	4	THREAD-FORMING SCREW M6*16 DIN 7500C		-
8	A435941	4	WASHER M8 DIN 9021 Ø8,4/Ø24 -2 ZN		-
9	A465528	10	THREAD-FORMING SCREW M4*20 10.9 BLACK		-

150/220

2.2.2024

A438895 LATCH ASSEMBLY



2.2.2024

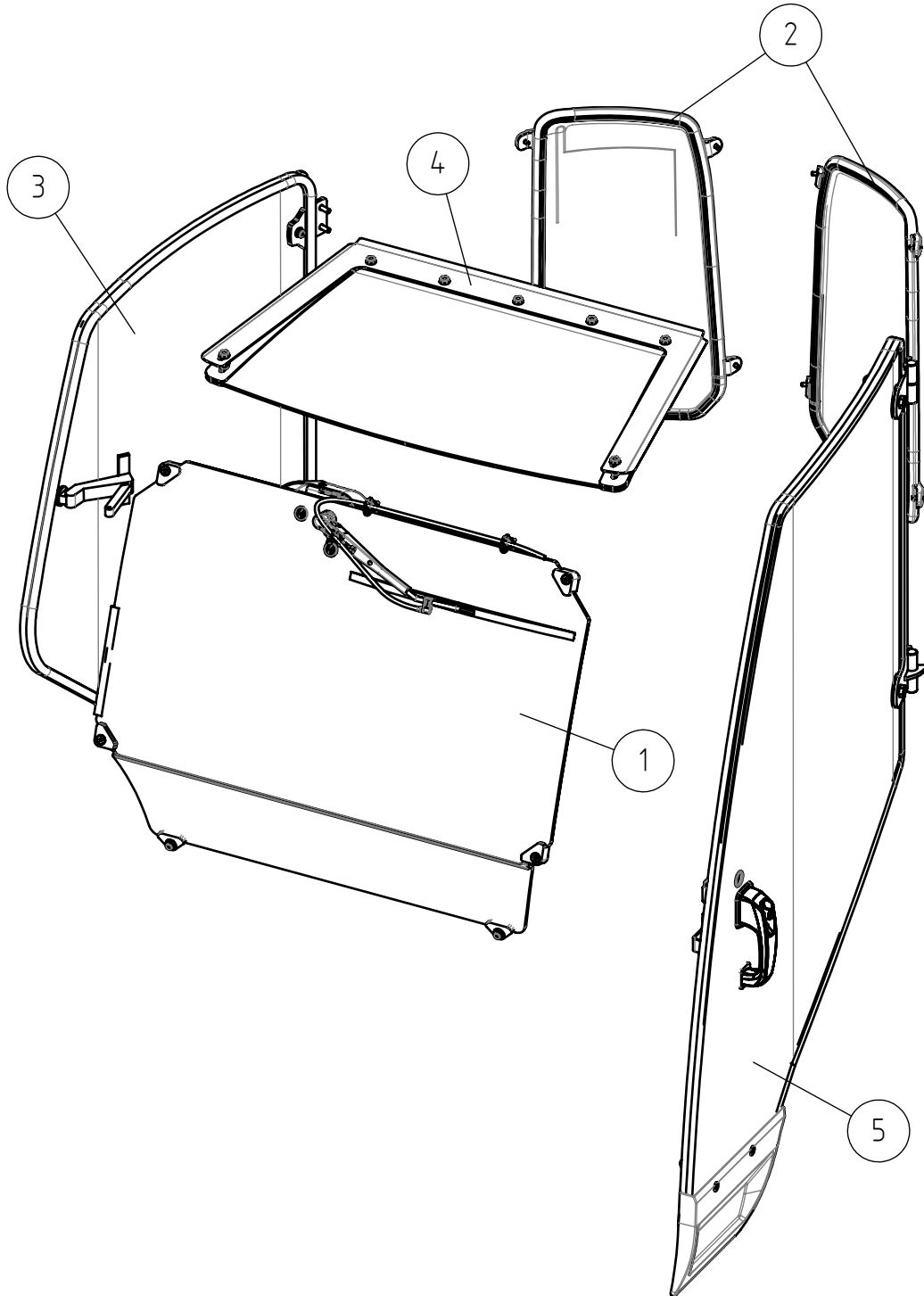
A438895 LATCH ASSEMBLY

REF	PART NO	QTY	DESCRIPTION	NOTES	PAGE
1	64980	1	GUIDE PLATE, LOCK		-
2	65665	1	DOOR SWITCH, CAB		-
3	A434306	1	LATCH DOOR CAB GT		-
4	64979	1	PIN, DOOR LOCK		-
5	A429200	2	HEXAGONAL SERRATED SCREW M8*16 WITH		-
6	A435941	2	WASHER M8 DIN 9021 Ø8,4/Ø24 -2 ZN		-
7	A450048	1	HEXAGONAL NUT M12 WITH FLANGE		-

152/220

2.2.2024

A453483 DOOR AND WINDOWS ASSEMBLY CAB GT



2.2.2024

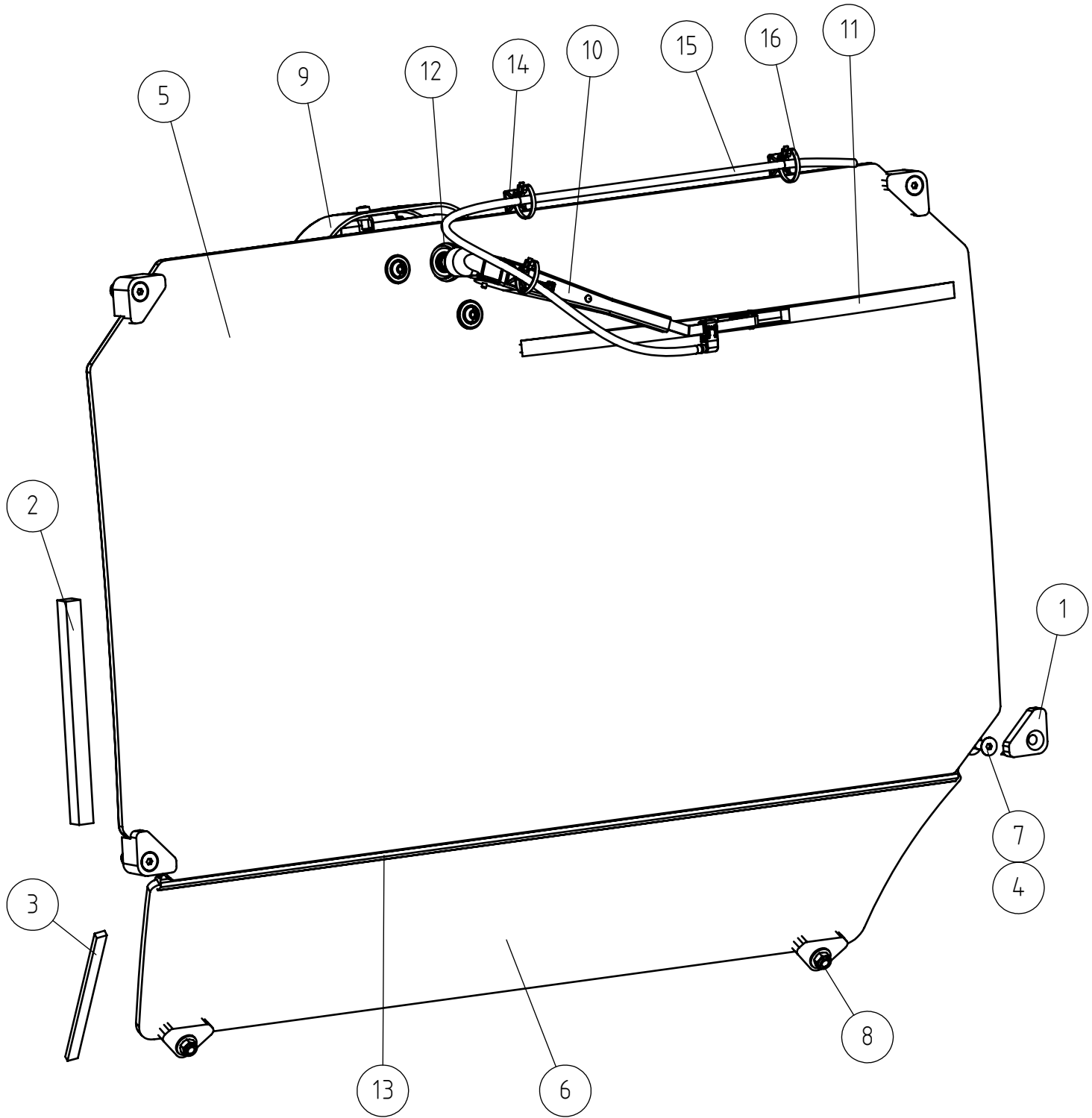
A453483 DOOR AND WINDOWS ASSEMBLY CAB GT

REF	PART NO	QTY	DESCRIPTION	NOTES	PAGE
1	A445896	1	WINDSCREEN ASSEMBLY CAB GT		156
2	A436771	1	REAR WINDOWS CAB GT		160
2.1	A434932	1	REAR WINDOW LEFT CAB GT		-
2.2	A434114	1	REAR WINDOW RIGHT CAB GT		-
2.3	A435250	4	BRACKET OUTSIDE REAR WINDOW CAB GT		-
2.4	A435251	4	BRACKET INSIDE REAR WINDOW CAB GT		-
2.5	A436768	2	SEAL REAR WINDOW CAB GT		-
3	A434952	1	WINDOW RIGHT ASSEMBLY CAB GT		162
4	A436900	1	SUNROOF ASSEMBLY CAB GT		164
4.1	A434638	1	SUNROOF PLATE CAB GT		-
4.2	A436903	1	SEAL SUNROOF CAB GT		-
5	A434950	1	DOOR ASSEMBLY CAB GT		166

154/220

2.2.2024

A445896 WINDSCREEN ASSEMBLY CAB GT



155/220

2.2.2024

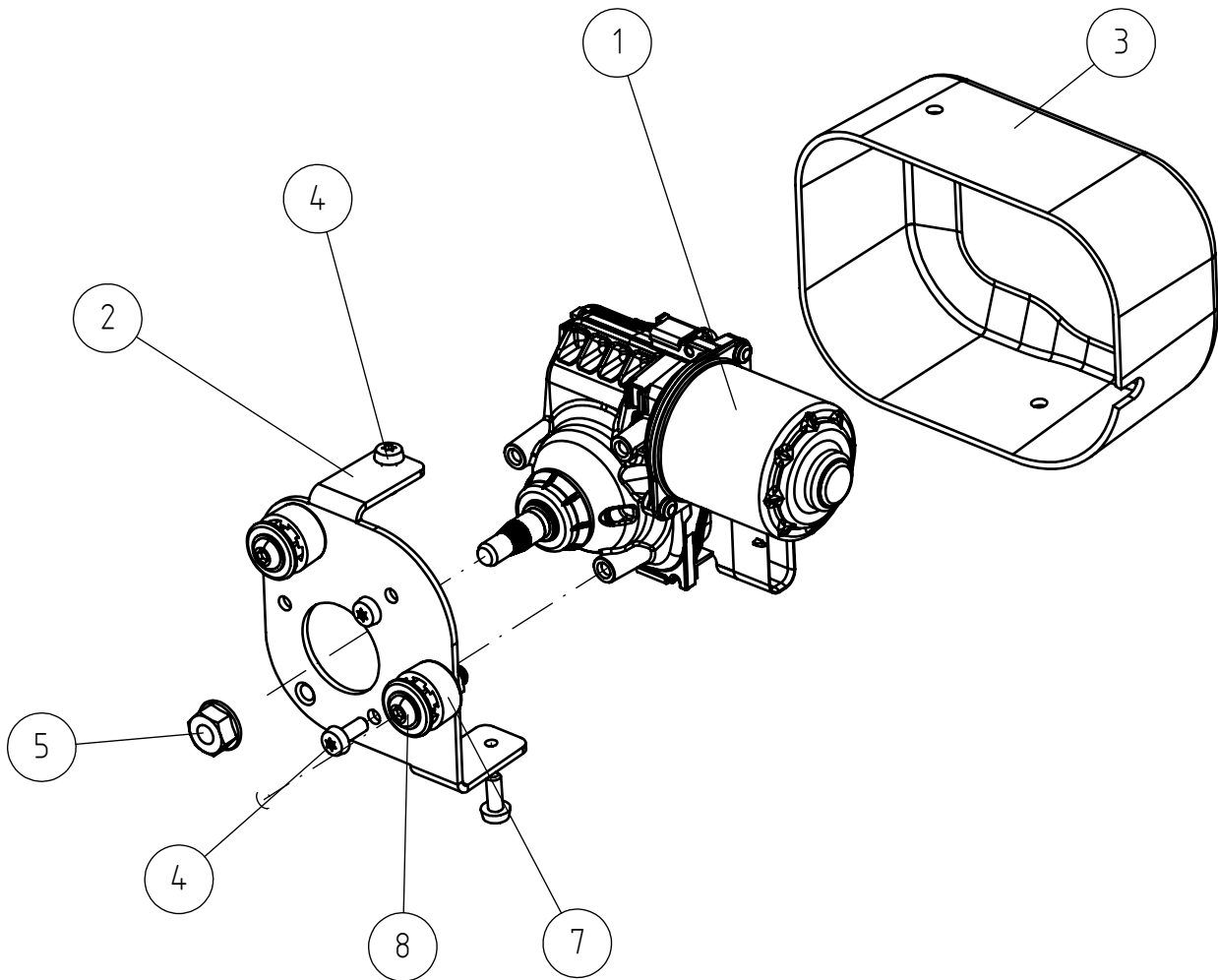
A445896 WINDSCREEN ASSEMBLY CAB GT

REF	PART NO	QTY	DESCRIPTION	NOTES	PAGE
1	A412362	6	BRACKET, WINDSCREEN		-
2	A413839	1	WEATHER STRIP, WINDSCREEN, CAB DLX		-
3	A413848	1	WEATHER STRIP, WINDSCREEN SMALL, CAB DLX		-
4	74525	6	WASHER M8 8,4*20*1,25 ZN		-
5	A445897	1	WINDSCREEN CAB 500-700 SERIES		-
6	A434100	1	WINDSCREEN, LOWER, SMALL, CAB GT		-
7	75039	4	HEXAG. COUNTERSUNK HEAD SCREW M8*40		-
8	72320	6	HEXAGONAL NUT M8 NYLOC DIN 985		-
9	A449928	1	WINDSCREEN WIPER ASSEMBLY CAB GT		158
10	A443799	1	ARM, WINDSCREEN WIPER M10 L=302 WITH		-
11	65170	1	WIPER BLADE DOGA		-
12	A445904	1	SEAL MOTOR WINDSCREEN WIPER		-
13	A452085	1	WEATHER STRIP BETWEEN WINDSCREENS CAB GT		-
14	A455710	3	SOCKET ADHESIVE 19X19 CABLE TIE		-
15	A456336	1	HOSE WINDSCREEN WASHER CAB GT		-
16	A431459	3	CABLE TIE 3,6*281 BLACK		-

156/220

2.2.2024

A449928 WINDSCREEN WIPER ASSEMBLY CAB GT



2.2.2024

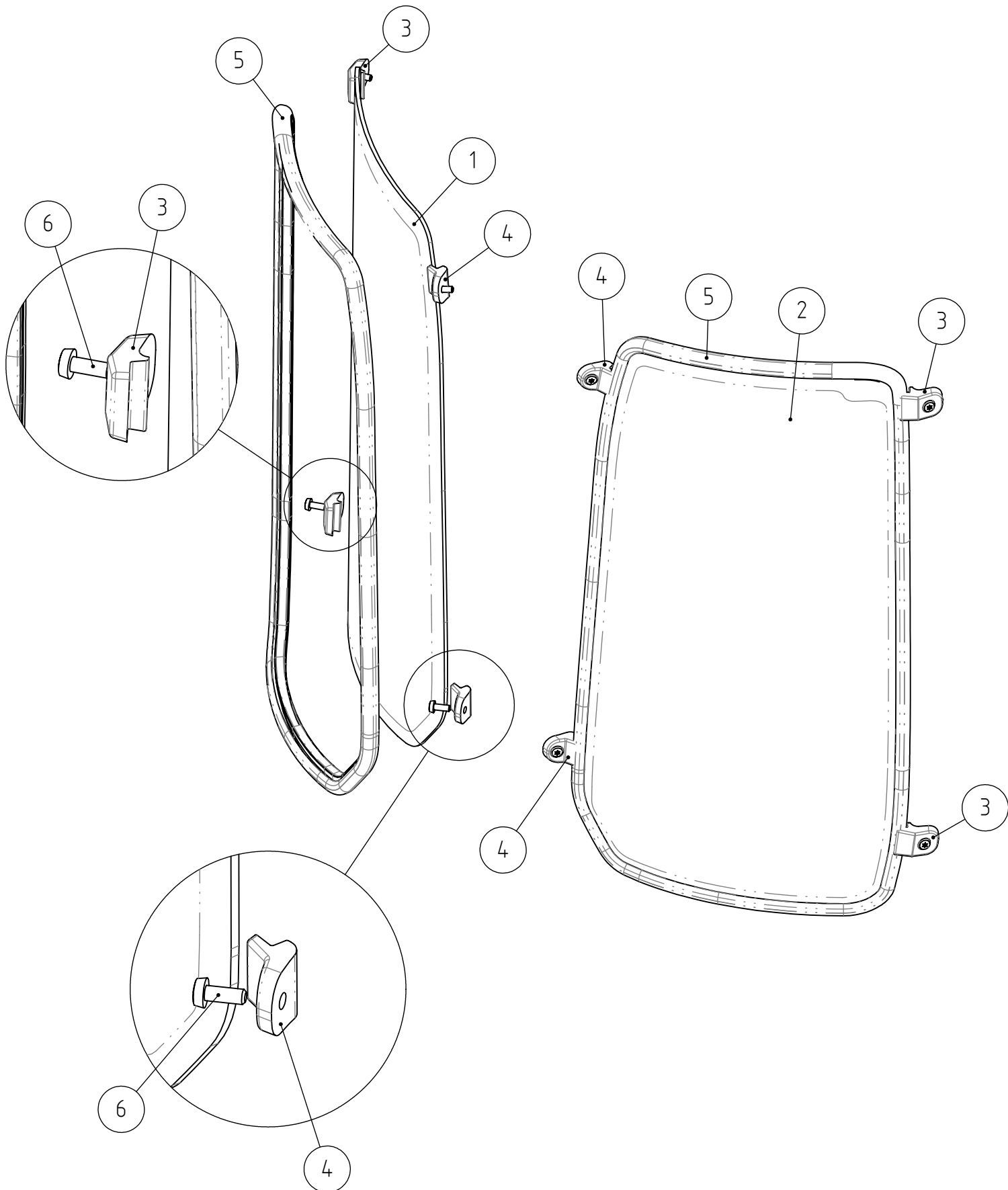
A449928 WINDSCREEN WIPER ASSEMBLY CAB GT

REF	PART NO	QTY	DESCRIPTION	NOTES	PAGE
1	A444058	1	ELECTRIC MOTOR PROGRAMMED WINDSCREEN		-
2	A440457	1	BRACKET MOTOR WINDSCREEN WIPER		-
3	A440716	1	COVER MOTOR WINDSCREEN WIPER		-
4	A437544	4	THREAD-FORMING SCREW BLACK M6*16 DIN		-
5	74783	1	HEXAGONAL NUT M10 WITH FLANGE		-
6	A446546	2	BUSHING PLASTIC D16,9/D8 - L5,4		-
7	A446547	2	BUSHING PLASTIC D16,9/D8 - L15,3		-
8	A449933	2	HEXAGONAL HEAD SCREW M8*35 10.9		-

158/220

2.2.2024

A436771 REAR WINDOWS CAB GT



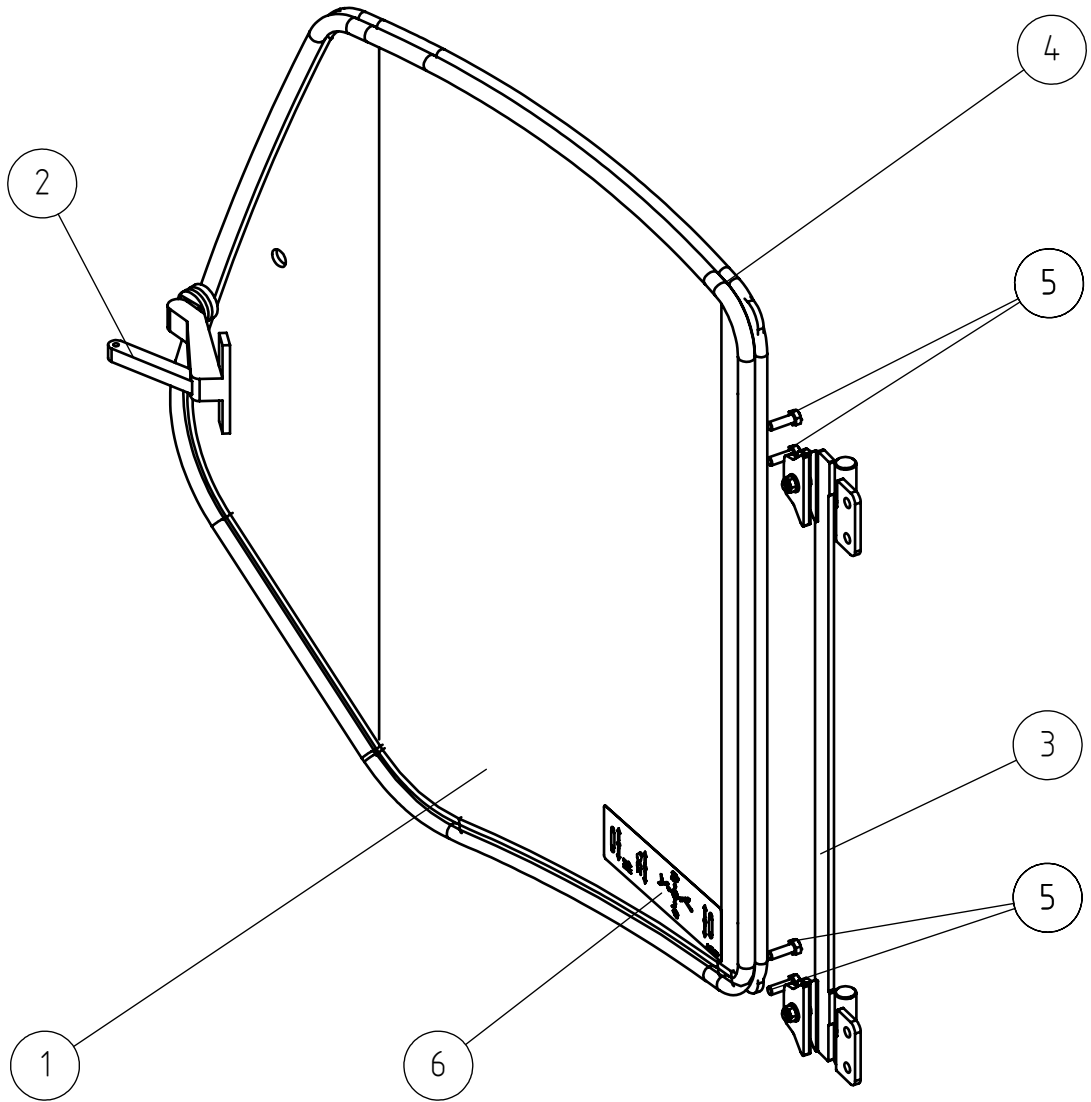
2.2.2024

A436771 REAR WINDOWS CAB GT

REF	PART NO	QTY	DESCRIPTION	NOTES	PAGE
1	A434932	1	REAR WINDOW LEFT CAB GT		-
2	A434114	1	REAR WINDOW RIGHT CAB GT		-
3	A435250	4	BRACKET OUTSIDE REAR WINDOW CAB GT		-
4	A435251	4	BRACKET INSIDE REAR WINDOW CAB GT		-
5	A436768	2	SEAL REAR WINDOW CAB GT		-
6	75129	8	THREAD-FORMING SCREW M6*16 DIN 7500C		-
-	A434932	1	REAR WINDOW LEFT CAB GT		-
-	A434114	1	REAR WINDOW RIGHT CAB GT		-
-	A435250	4	BRACKET OUTSIDE REAR WINDOW CAB GT		-
-	A435251	4	BRACKET INSIDE REAR WINDOW CAB GT		-
-	A436768	2	SEAL REAR WINDOW CAB GT		-

2.2.2024

A434952 WINDOW RIGHT ASSEMBLY CAB GT



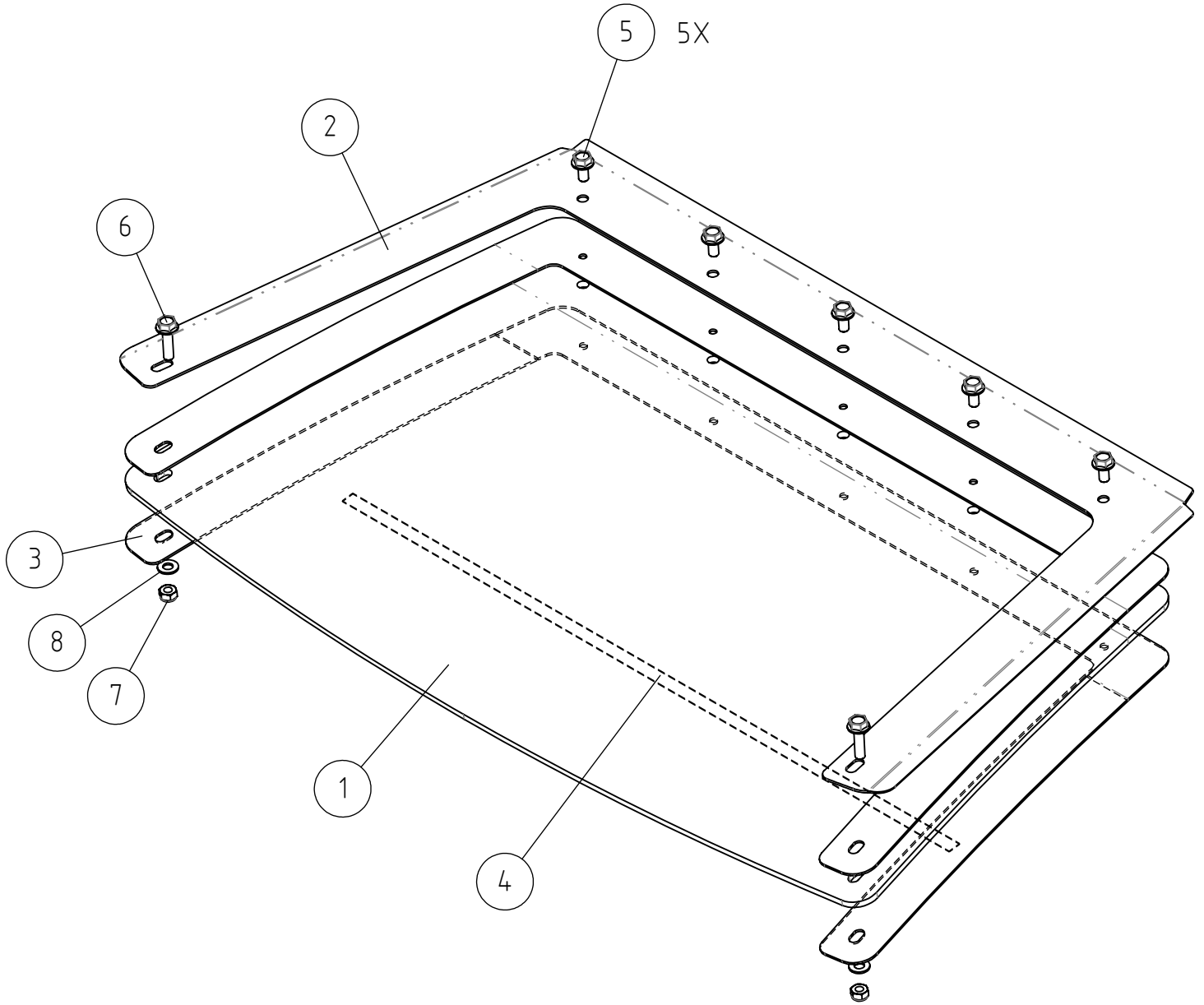
2.2.2024

A434952 WINDOW RIGHT ASSEMBLY CAB GT

REF	PART NO	QTY	DESCRIPTION	NOTES	PAGE
1	A411820	1	WINDOW, RIGHT, CAB DLX & GT		-
2	64983	1	HANDLE, WINDOW RIGHT, CAB 600 SERIES		-
2.1	66026	1	RELEASE PIN, OPENING MECHANISM WINDOW		-
3	A434953	1	BRACKET ASSEMBLY SIDE WINDOW CAB		-
4	A413843	1	WEATHER STRIP, SIDE WINDOW, CAB DLX		-
5	72132	4	HEXAGONAL SCREW M 8*25 DIN 933 ZN		-
6	A441320	1	DECAL CONTROLS CAB GT RIGHT WINDOW		-

2.2.2024

A436900 SUNROOF ASSEMBLY CAB GT



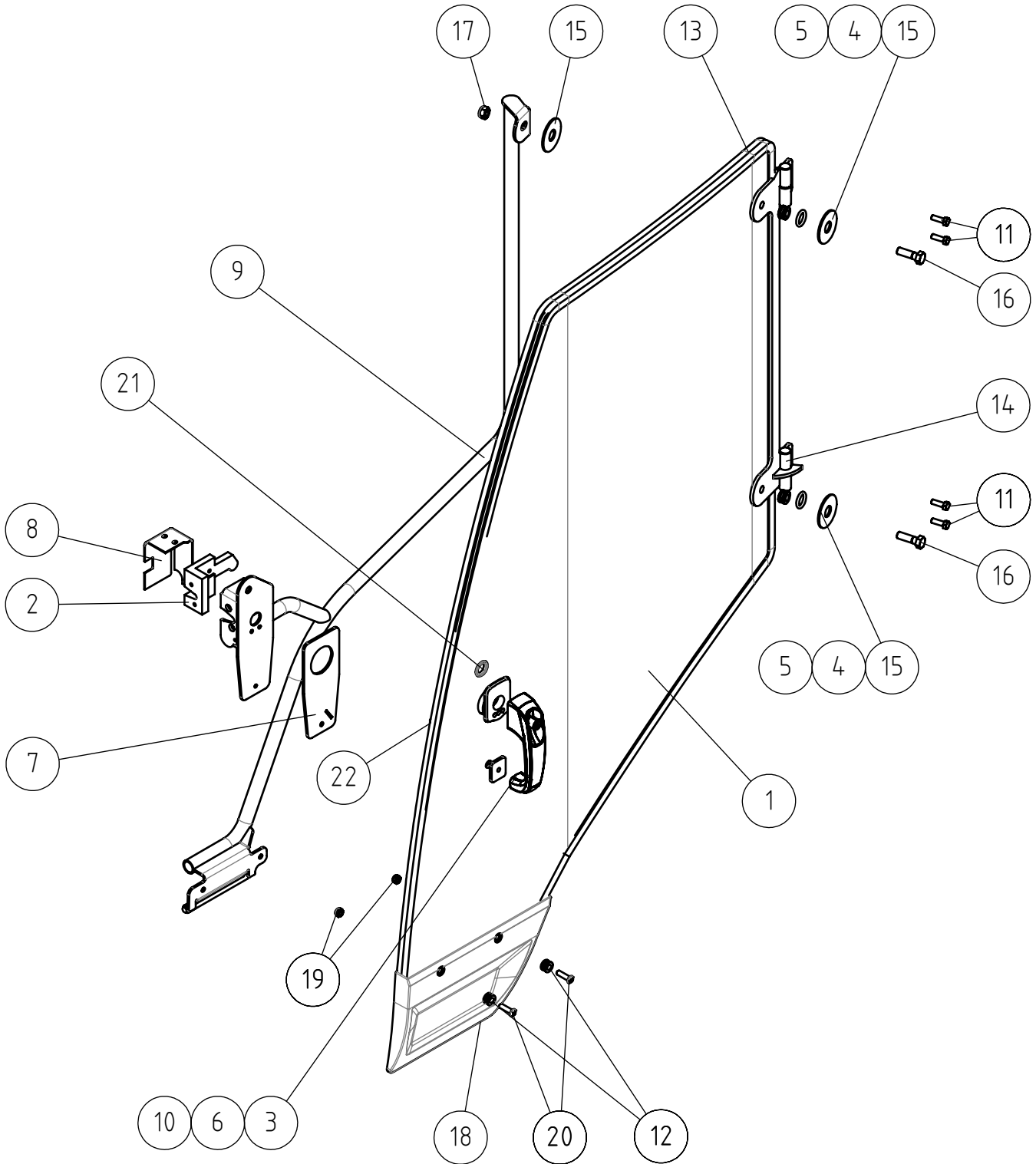
2.2.2024

A436900 SUNROOF ASSEMBLY CAB GT

REF	PART NO	QTY	DESCRIPTION	NOTES	PAGE
1	A434638	1	SUNROOF PLATE CAB GT		-
2	A434637	1	FRAME SUNROOF PLATE CAB GT		-
3	A436903	2	SEAL SUNROOF CAB GT		-
4	A436908	1	TAPE ACRYLIC TWO-SIDED		-
5	A429200	5	HEXAGONAL SERRATED SCREW M8*16 WITH		-
6	A429203	2	HEXAGONAL SERRATED SCREW M8*30 WITH		-
7	72320	2	HEXAGONAL NUT M8 NYLOC DIN 985		-
8	73122	2	WASHER M8 A8,4 DIN 125 ZN		-
-	A434638	1	SUNROOF PLATE CAB GT		-
-	A436903	1	SEAL SUNROOF CAB GT		-

164/220

A434950 DOOR ASSEMBLY CAB GT



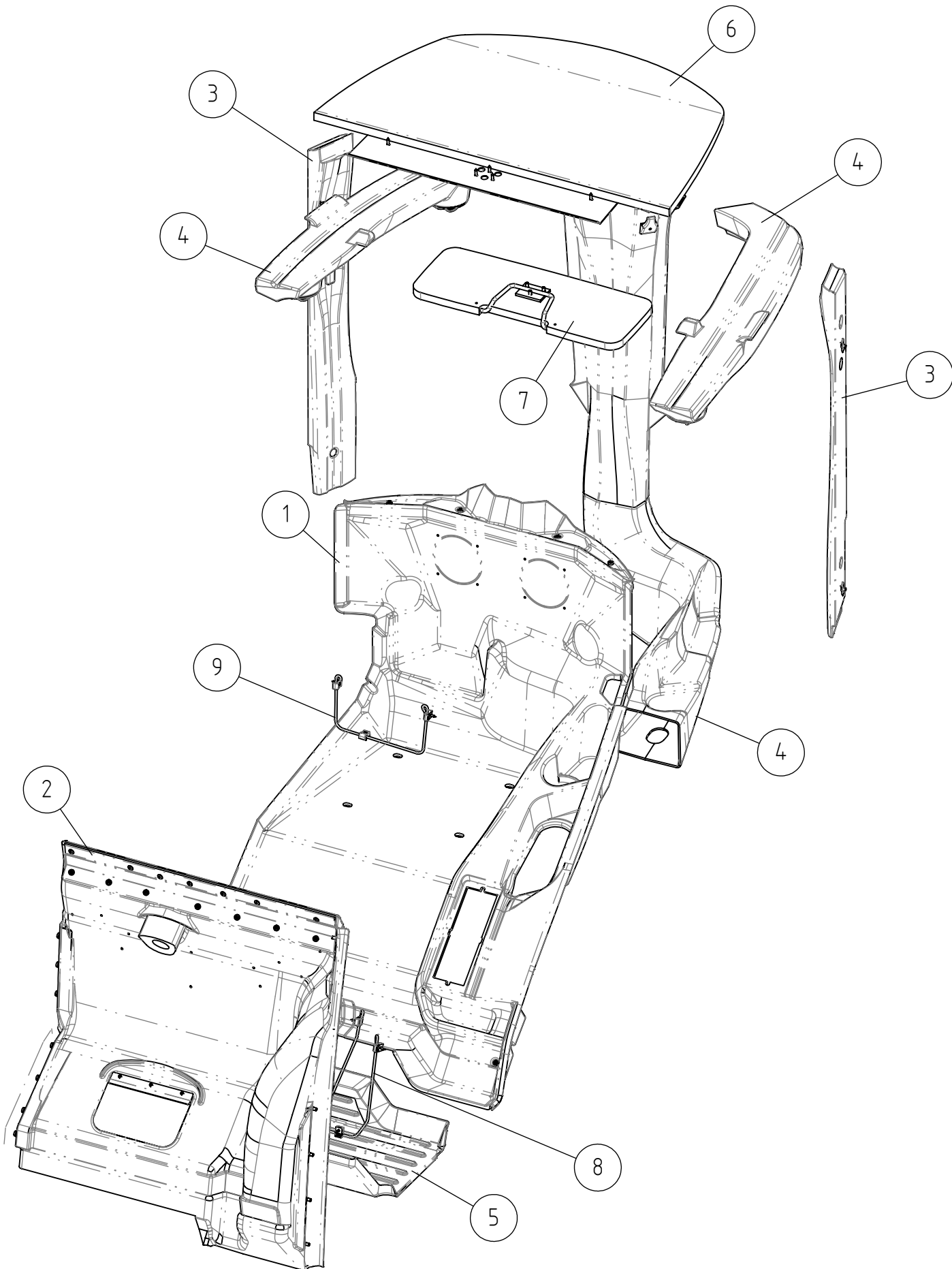
2.2.2024

A434950 DOOR ASSEMBLY CAB GT

REF	PART NO	QTY	DESCRIPTION	NOTES	PAGE
1	A411823	1	DOOR PLATE, SAFETY GLASS, CAB DLX & GT		-
2	64981	1	LOCK BODY		-
3	65025	1	HANDLE, DOOR, CAB		-
4	74856	2	O-RING NBR F 20,0 * 5,0 70SH		-
5	A412329	2	BUSHING		-
6	65026	1	SUBPLATE, DOOR HANDLE 20325-01		-
7	A47957	1	PLATE		-
8	A412344	1	COVER PLATE		-
9	A34859	1	FRAME, DOOR, CAB DLX & GT		-
10	65027	1	SUBPLATE, DOOR HANDLE		-
11	72132	4	HEXAGONAL SCREW M 8*25 DIN 933 ZN		-
12	64985	2	GROMMET F19/13/10,S=5H=11		-
13	A435077	1	WEATHER STRIP DOOR CAB GT		-
14	A434951	1	HINGE LOWER, DOOR CAB GT		-
15	A412327	4	RUBBER WASHER		-
16	73322	2	HEXAGONAL SCREW M12*40 DIN 931		-
17	72324	2	HEXAGONAL NUT M 12 NYLOC DIN 985		-
18	A435102	1	RUBBER PLATE, LOWER, DOOR CAB GT		-
19	72320	2	HEXAGONAL NUT M8 NYLOC DIN 985		-
20	A439829	2	HEXAGONAL HEAD SCREW M8*30 10.9 2		-
21	A440993	1	RUBBER PLUG D29/D25,8 H12 60SH		-
22	A453884	1	BRACKET		-

2.2.2024

A453489 UPHOLSTERY ASSEMBLY CAB GT



2.2.2024

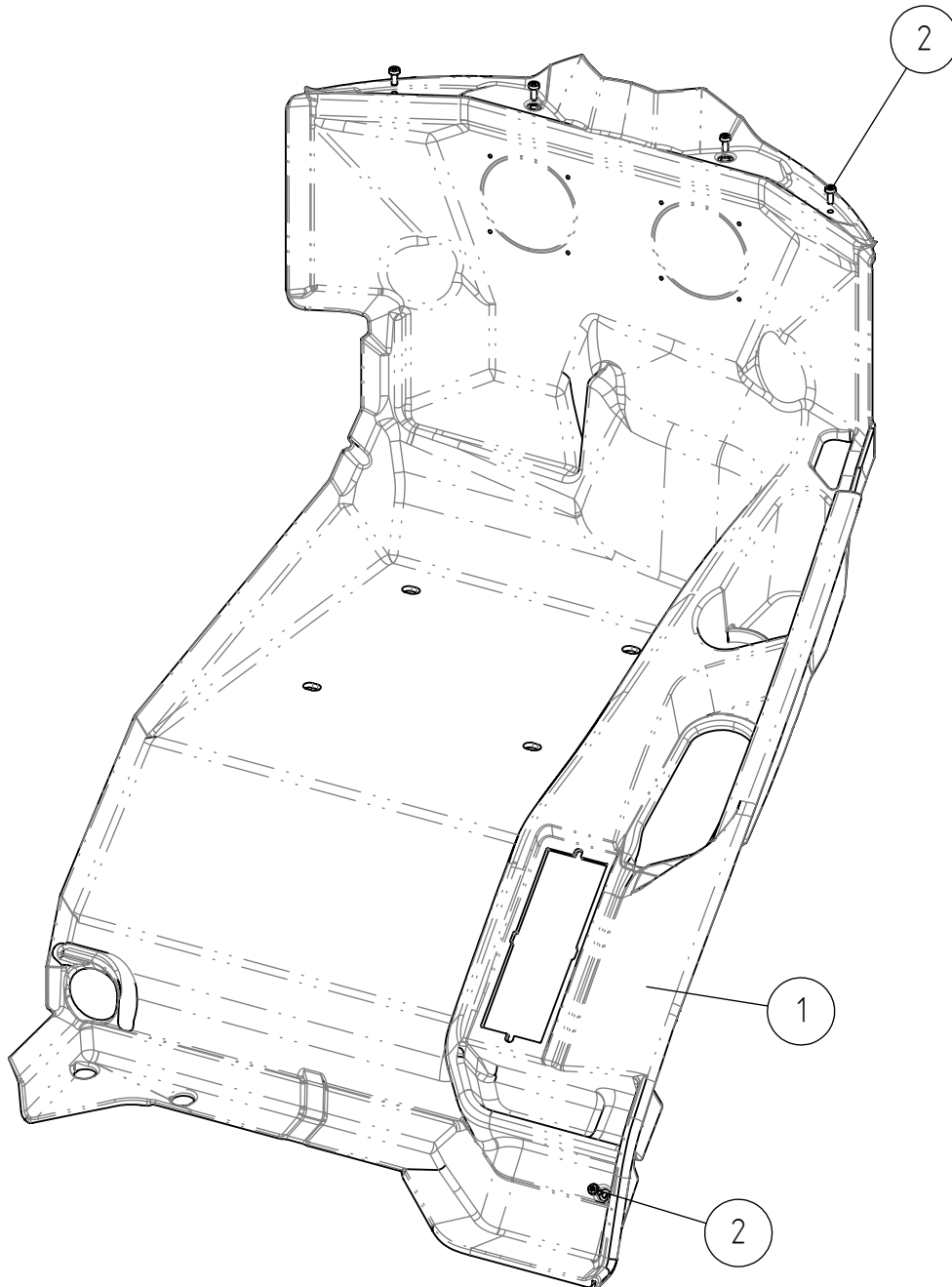
A453489 UPHOLSTERY ASSEMBLY CAB GT

REF	PART NO	QTY	DESCRIPTION	NOTES	PAGE
1	A434208	1	FLOOR MAT ASSEMBLY CAB GT		170
2	A436615	1	HEAT SHIELD ASSEMBLY CAB GT		172
3	A436754	1	UPHOLSTERY PANELS B-PILLARS CAB GT		174
4	A436635	1	AIR DUCTS ASSEMBLY CAB GT		176
5	A434410	1	SERVICE HATCH ASSEMBLY CAB GT		178
6	A438892	1	UPHOLSTERY ASSEMBLY CEILING CAB GT		180
7	A438887	1	SUN VISOR ASSEMBLY CAB GT		182
8	A438452	1	NET POCKET ASSEMBLY CAB GT		184
9	A438443	1	NET POCKET REAR ASSEMBLY CAB GT		186

168/220

2.2.2024

A434208 FLOOR MAT ASSEMBLY CAB GT



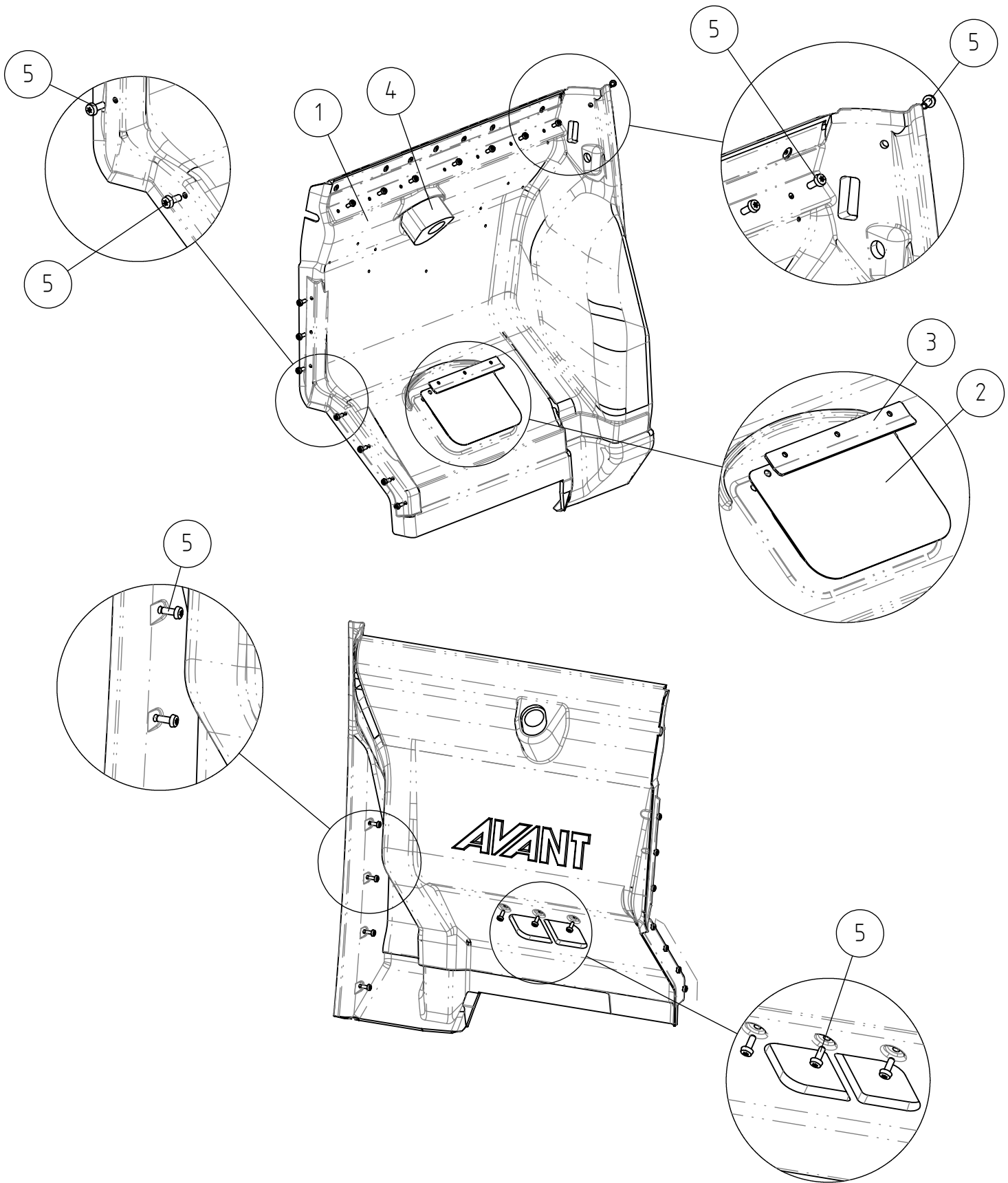
2.2.2024

A434208 FLOOR MAT ASSEMBLY CAB GT

REF	PART NO	QTY	DESCRIPTION	NOTES	PAGE
1	A434207	1	COVER PANEL FLOOR ASSEMBLY CAB GT		-
2	75129	5	THREAD-FORMING SCREW M6*16 DIN 7500C		-

2.2.2024

A436615 HEAT SHIELD ASSEMBLY CAB GT



2.2.2024

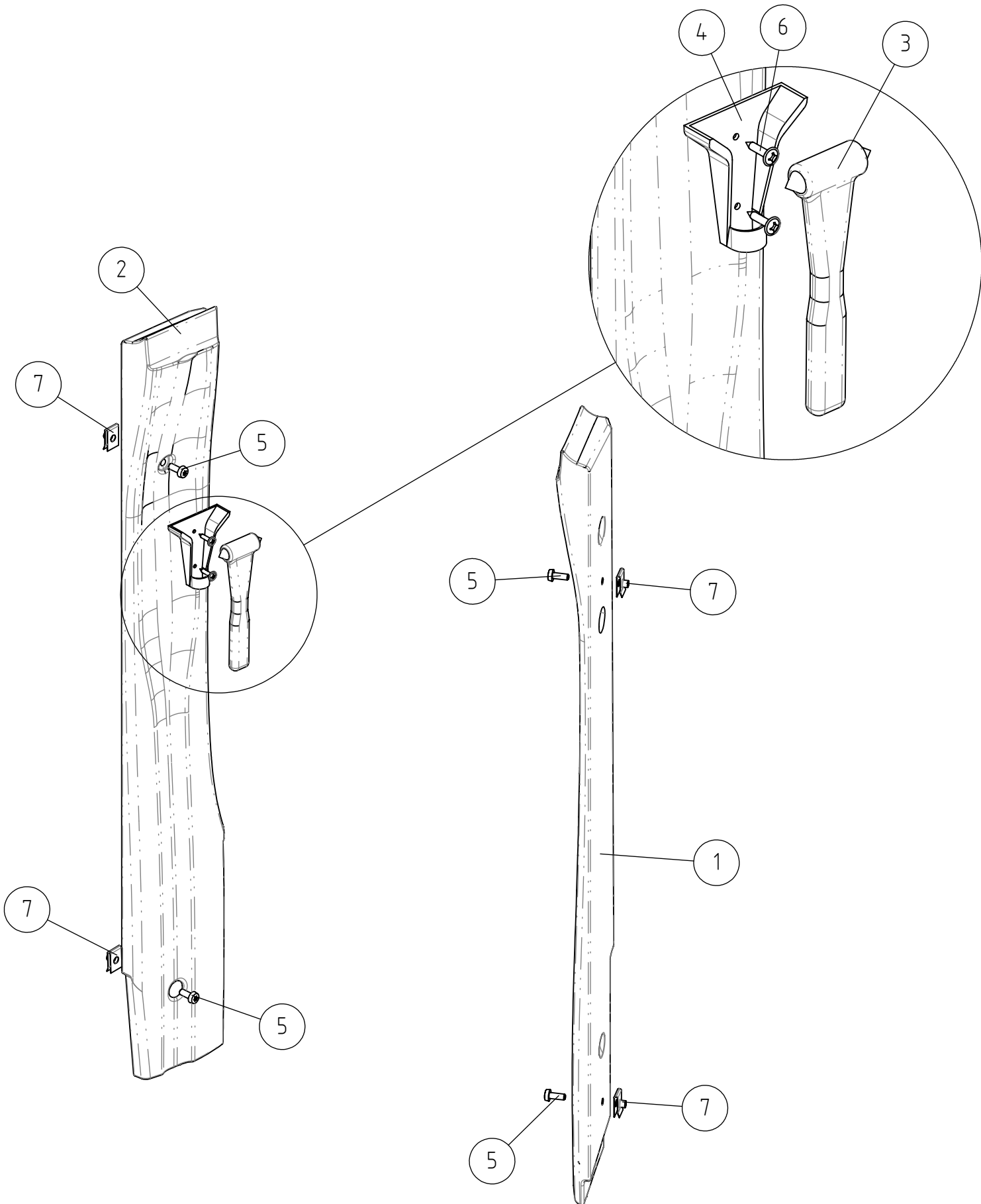
A436615 HEAT SHIELD ASSEMBLY CAB GT

REF	PART NO	QTY	DESCRIPTION	NOTES	PAGE
1	A434678	1	HEAT SHIELD CAB GT		-
2	A436879	1	RUBBER PLATE DOOR CAB GT		-
3	A436880	1	MOUNTING BRACKET RUBBER PLATE DOOR CAB		-
4	A439956	1	RUBBER BUSHING STEERING COLUMN		-
5	75129	22	THREAD-FORMING SCREW M6*16 DIN 7500C		-

172/220

2.2.2024

A436754 UPHOLSTERY PANELS B-PILLARS CAB GT



2.2.2024

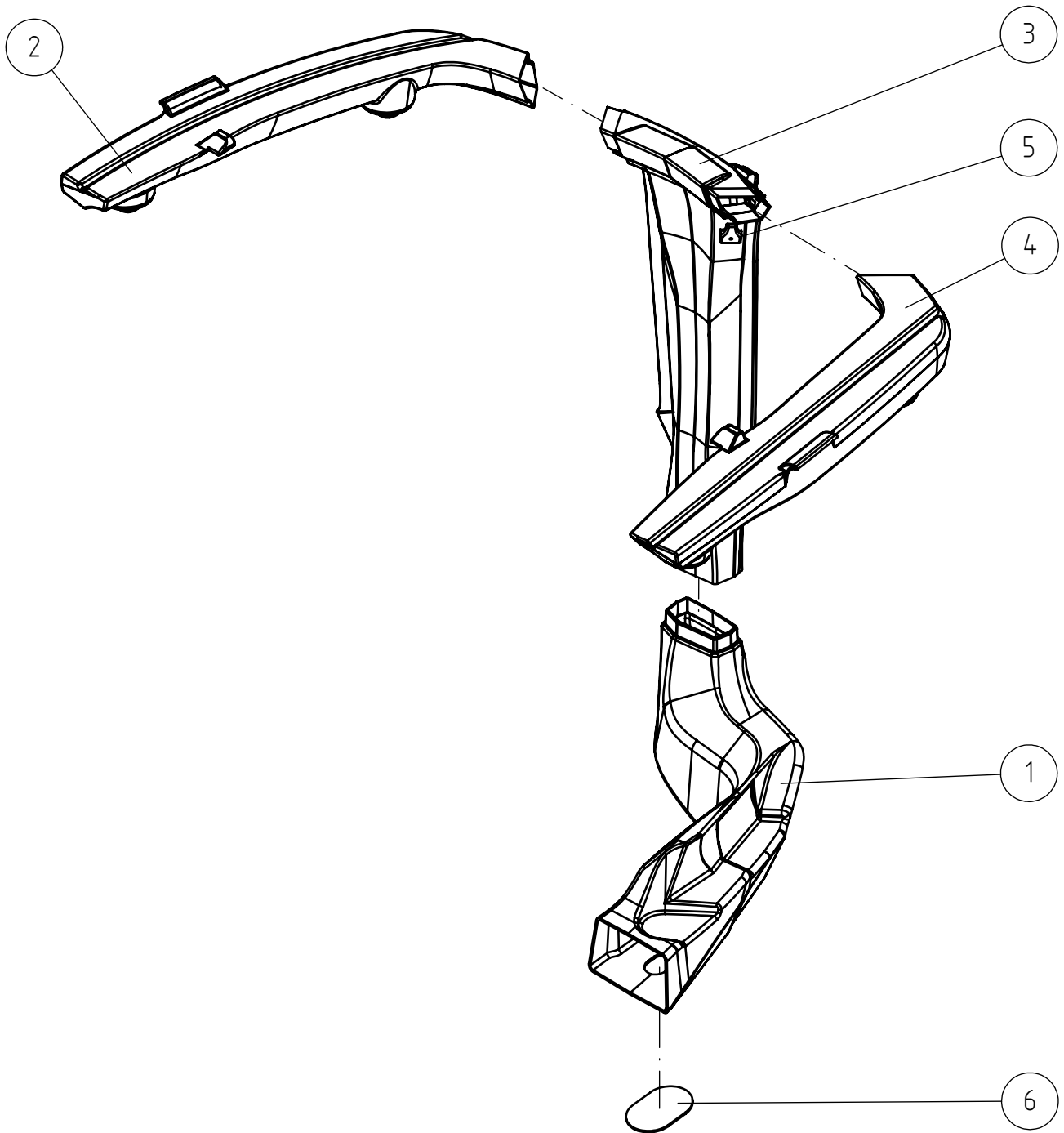
A436754 UPHOLSTERY PANELS B-PILLARS CAB GT

REF	PART NO	QTY	DESCRIPTION	NOTES	PAGE
1	A436420	1	UPHOLSTERY PANEL B-PILLAR LEFT CAB GT		-
2	A436524	1	UPHOLSTERY PANEL B-PILLAR RIGHT CAB GT		-
3	64986	1	EMERGENCY HAMMER HAPPICH RED		-
4	64987	1	BRACKET, EMERGENCY HAMMER		-
5	75129	4	THREAD-FORMING SCREW M6*16 DIN 7500C		-
6	A431729	2	PAN HEAD MACHINE SCREW M3,9*19		-
7	74807	4	SPEED NUT M6, FOR 0.5-4.0 MM PLATE		-

174/220

2.2.2024

A436635 AIR DUCTS ASSEMBLY CAB GT



175/220

2.2.2024

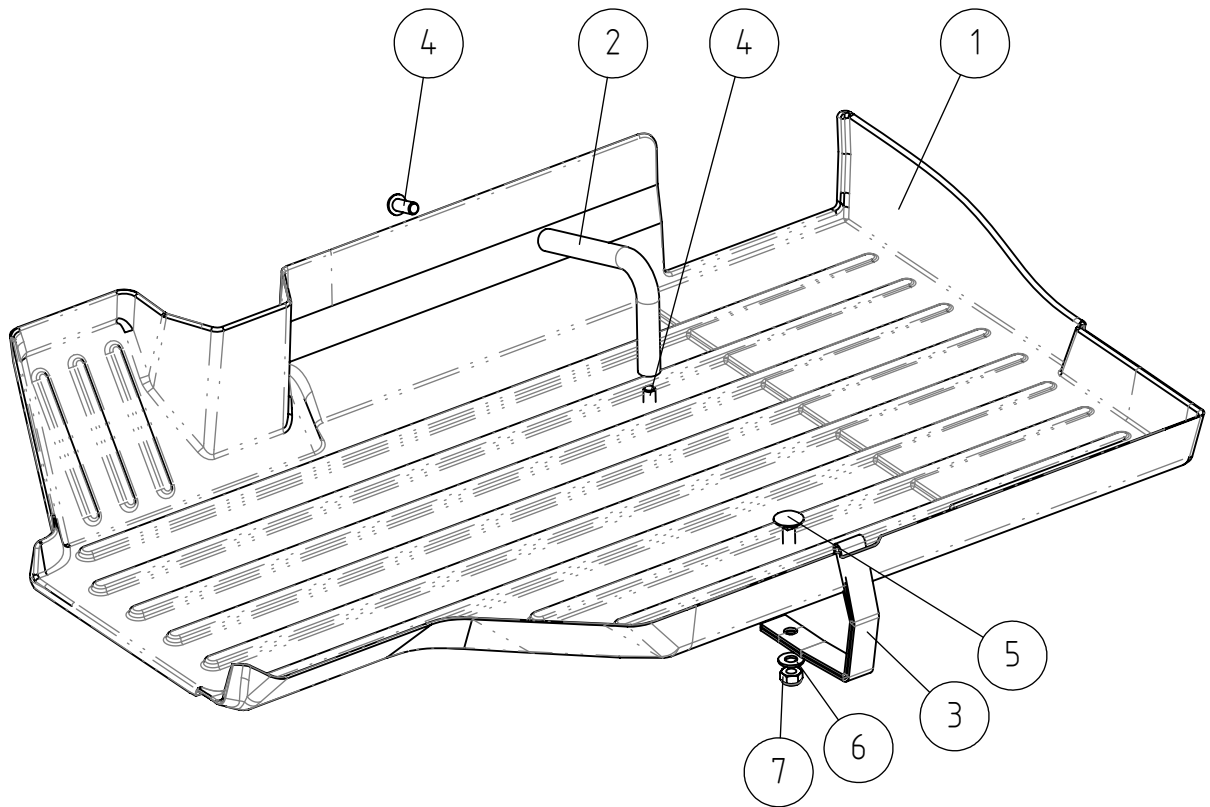
A436635 AIR DUCTS ASSEMBLY CAB GT

REF	PART NO	QTY	DESCRIPTION	NOTES	PAGE
1	A436413	1	AIR DUCT LOWER CAB GT		-
2	A436415	1	AIR DUCT CEILING RIGHT CAB GT		-
3	A436479	1	AIR DUCT VERTICAL CAB GT		-
4	A436417	1	AIR DUCT CEILING LEFT CAB GT		-
5	65072	1	COAT HOOK HAPPICH BLACK		-
6	A439839	1	COVER PLATE AIR DUCT CAB GT		-

176/220

2.2.2024

A434410 SERVICE HATCH ASSEMBLY CAB GT



2.2.2024

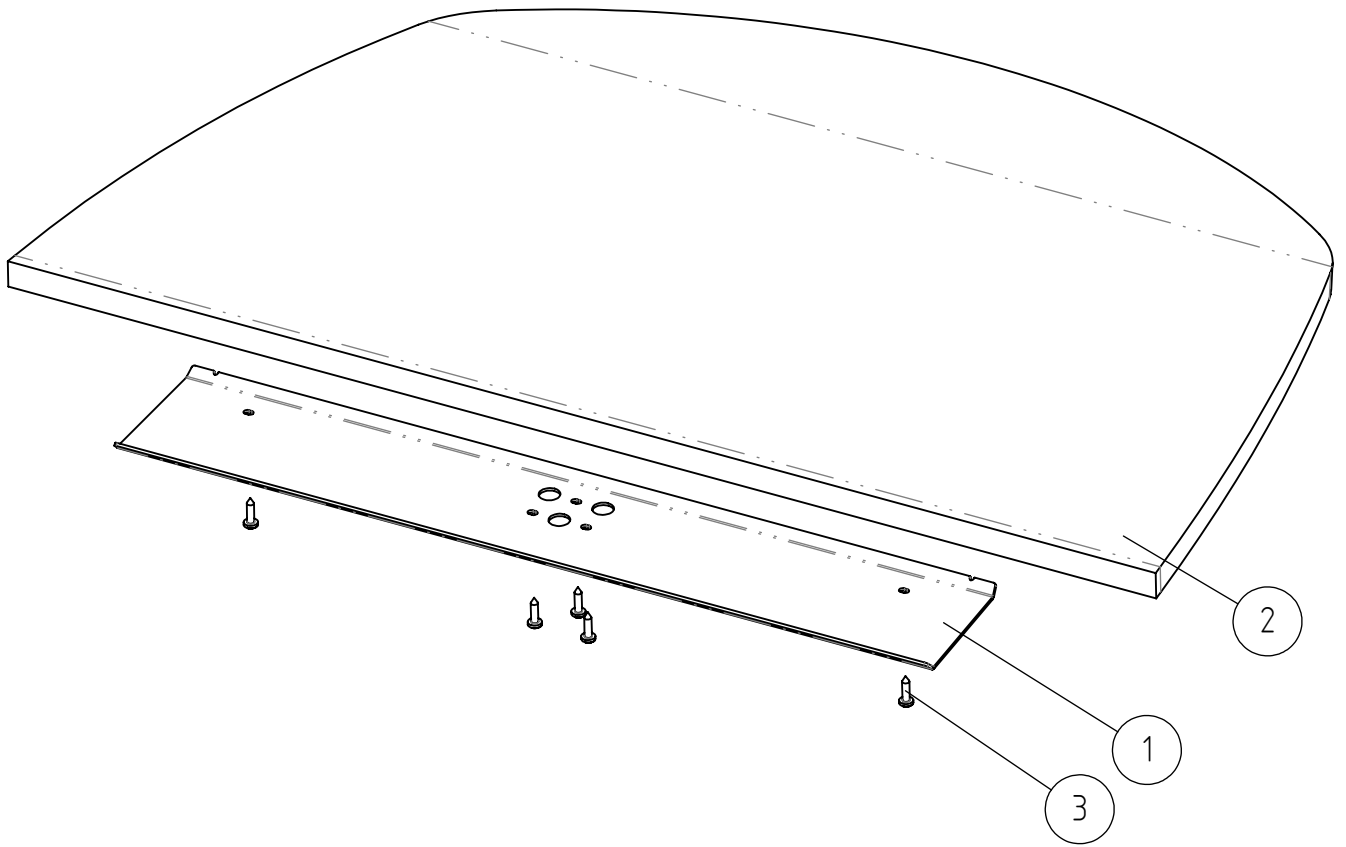
A434410 SERVICE HATCH ASSEMBLY CAB GT

REF	PART NO	QTY	DESCRIPTION	NOTES	PAGE
1	A437490	1	SERVICE HATCH CAB GT		-
2	A438964	1	GUARD BAR CAB GT		-
3	A436742	1	HANDLE SERVICE HATCH CAB GT		-
4	75152	2	BUTTON HEAD SOCKET CAP SCREW M8*20 10.9		-
5	74836	1	CARRIAGE BOLT M8*20		-
6	73122	1	WASHER M8 A8,4 DIN 125 ZN		-
7	72320	1	HEXAGONAL NUT M8 NYLOC DIN 985		-

178/220

2.2.2024

A438892 UPHOLSTERY ASSEMBLY CEILING CAB GT



2.2.2024

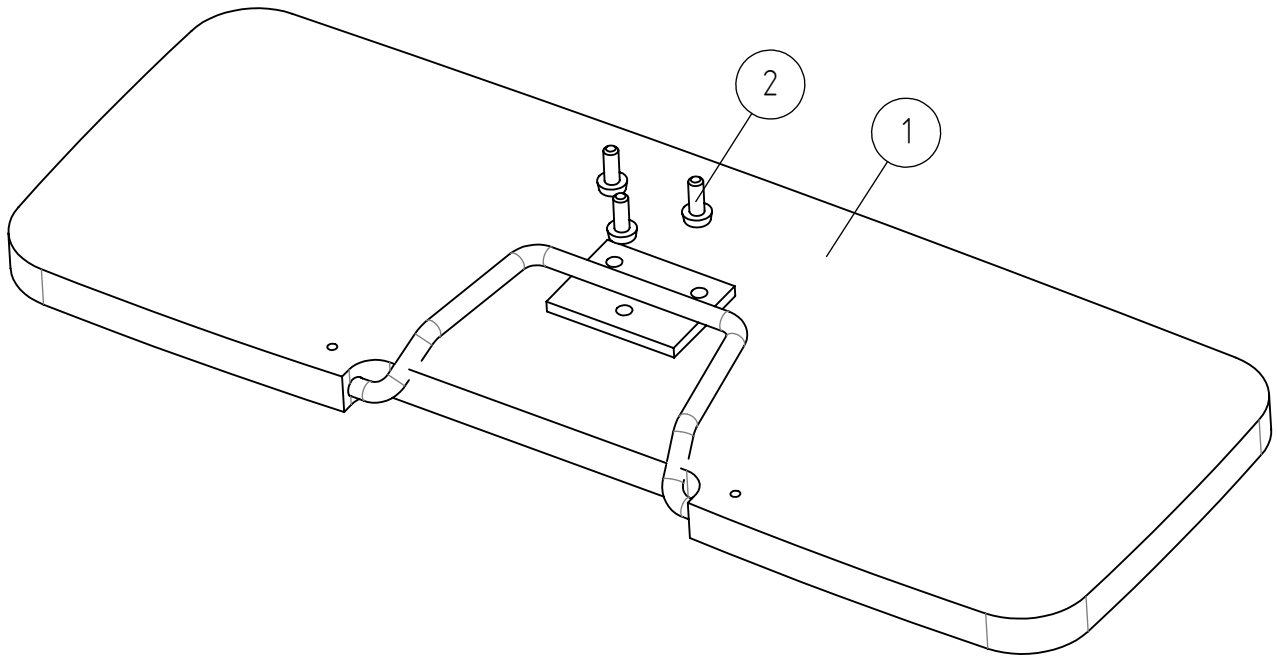
A438892 UPHOLSTERY ASSEMBLY CEILING CAB GT

REF	PART NO	QTY	DESCRIPTION	NOTES	PAGE
1	A434346	1	UPHOLSTERY PLATE CAB GT		-
2	A436244	1	UPHOLSTERY CEILING CAB GT		-
3	A463689	5	TAPPING SCREW 4,8X19 DIN 7981C		-

180/220

2.2.2024

A438887 SUN VISOR ASSEMBLY CAB GT



2.2.2024

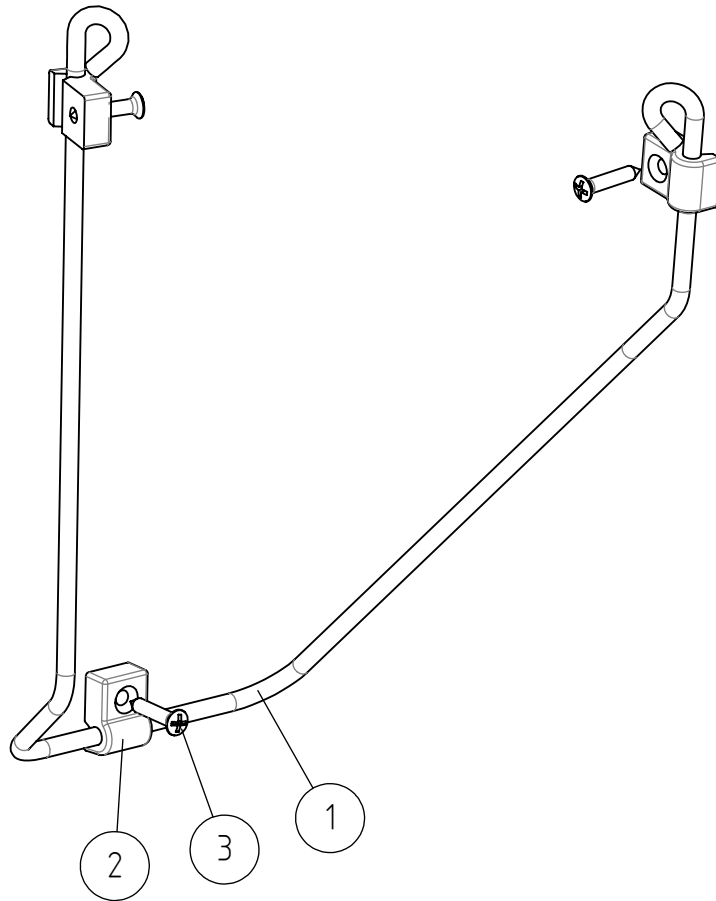
A438887 SUN VISOR ASSEMBLY CAB GT

REF	PART NO	QTY	DESCRIPTION	NOTES	PAGE
1	A438885	1	SUN VISOR 500X183 BLACK		-
2	A437544	3	THREAD-FORMING SCREW BLACK M6*16 DIN		-

182/220

2.2.2024

A438452 NET POCKET ASSEMBLY CAB GT



2.2.2024

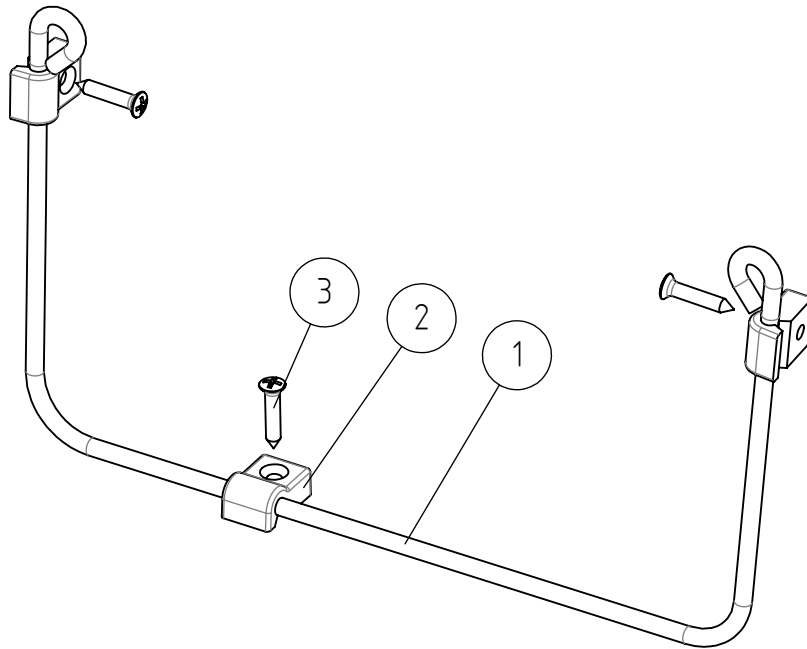
A438452 NET POCKET ASSEMBLY CAB GT

REF	PART NO	QTY	DESCRIPTION	NOTES	PAGE
1	A438448	1	NET POCKET CAB GT		-
2	A438436	3	MOUNTING BRACKET NET POCKET CAB GT		-
3	A438444	3	TAPPING SCREW 3,9/7,5 X 20 DIN 7983		-

184/220

2.2.2024

A438443 NET POCKET REAR ASSEMBLY CAB GT



2.2.2024

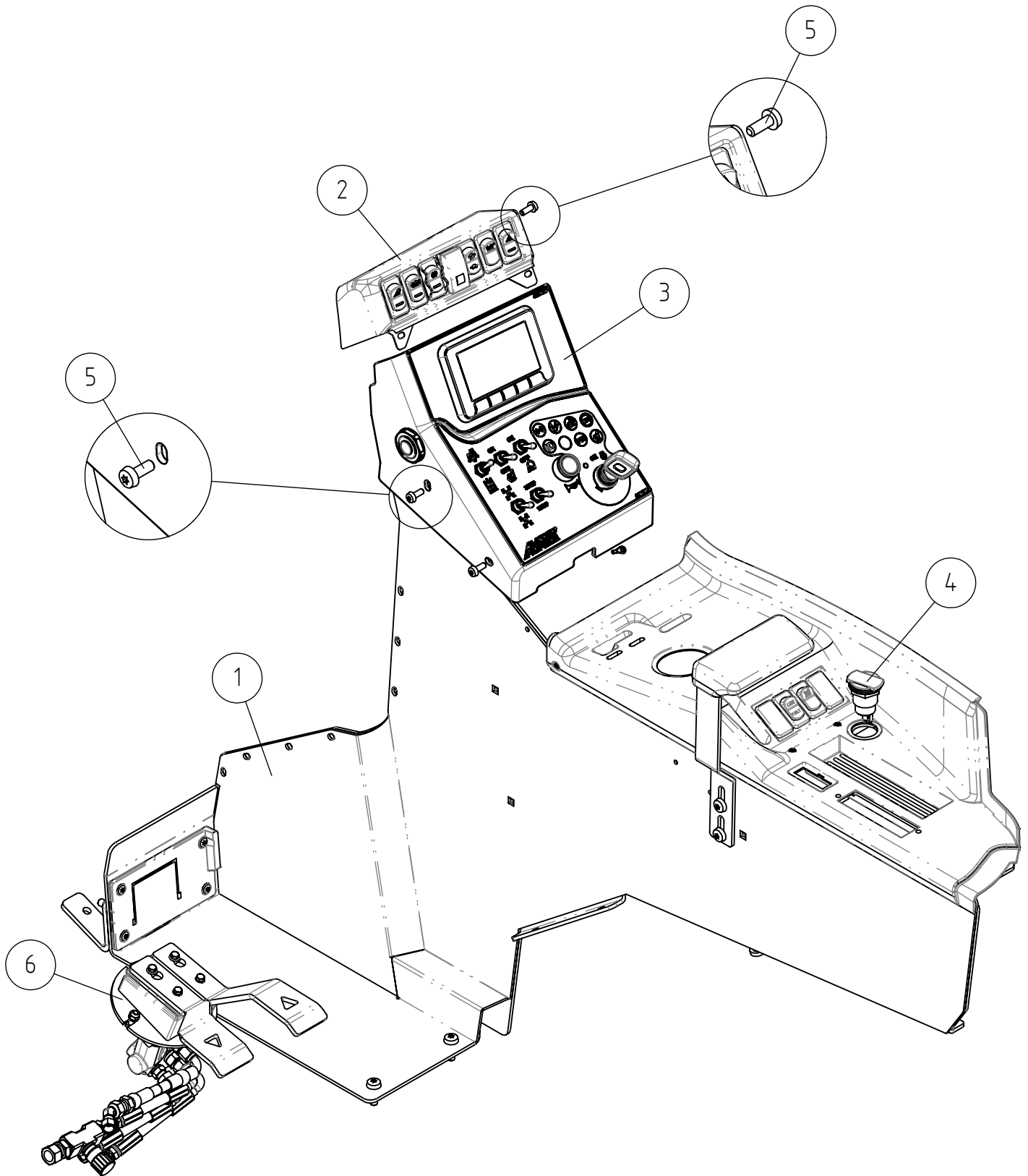
A438443 NET POCKET REAR ASSEMBLY CAB GT

REF	PART NO	QTY	DESCRIPTION	NOTES	PAGE
1	A438434	1	FRAME NET POCKET CAB GT		-
2	A438436	3	MOUNTING BRACKET NET POCKET CAB GT		-
3	A438444	3	TAPPING SCREW 3,9/7,5 X 20 DIN 7983		-

186/220

2.2.2024

A448127 CONTROLS ASSEMBLY CAB GT



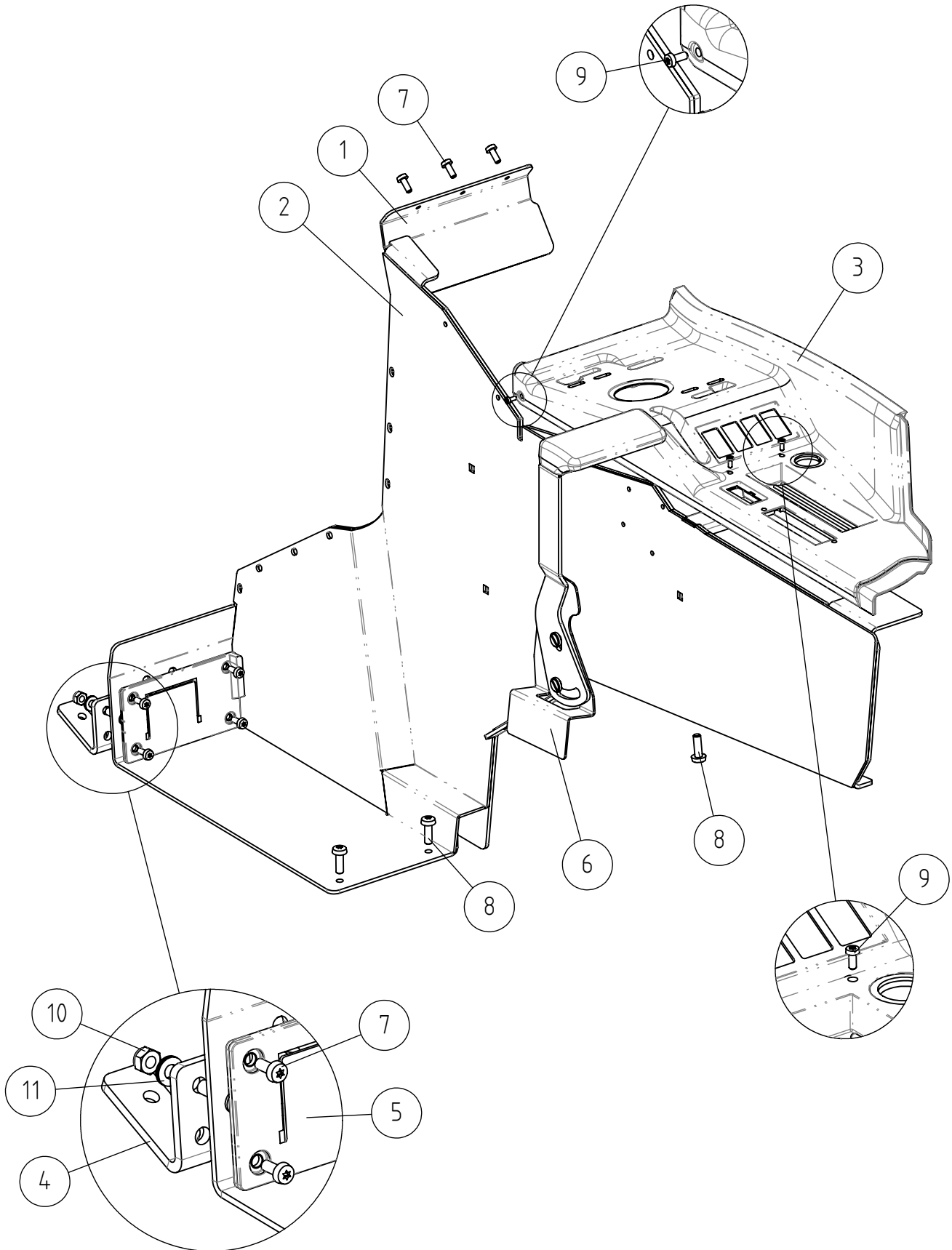
2.2.2024

A448127 CONTROLS ASSEMBLY CAB GT

REF	PART NO	QTY	DESCRIPTION	NOTES	PAGE
1	A465450	1	CONTROLS ASSEMBLY CAB GT		190
2	A436212	1	HOUSING SWITCHES ASSEMBLY CAB GT		-
3	A436574	1	DASHBOARD CAB GT / DLX		192
3.1	A436098	1	WIRE HARNESS DASHBOARD		-
3.2	A425315	1	INDICATOR LIGHTS DASHBOARD		-
3.3	A440326	1	ALARM BEEPER D28,5/D45 -H47		-
3.4	A436572	1	PANEL ABS GAUGES CAB DLX		-
3.5	66156	1	IGNITION SWITCH 12V/30A/60A IP65 COBO		-
3.6	A442322	1	ROCKER SWITCH ON-OFF-MOM 3-POLE		-
3.7	A443283	4	TOGGLE SWITCH ON-OFF 2-POLE		-
3.8	64074	1	PUSH BUTTON F22,5 SIGNAL HORN		-
3.9	A436674	1	MOUNTING FRAME ASSEMBLY SWITCH PANEL CAB		-
3.10	A436642	1	MOUNTING FRAME ASSEMBLY DISPLAY CAB		-
4	A436424	1	OUTLET 12V/20A WITH COVER		-
5	75129	3	THREAD-FORMING SCREW M6*16 DIN 7500C		-
6	A449873	1	DRIVE PEDAL ASSEMBLY CAB GT		-

188/220

A465450 CONTROLS ASSEMBLY CAB GT



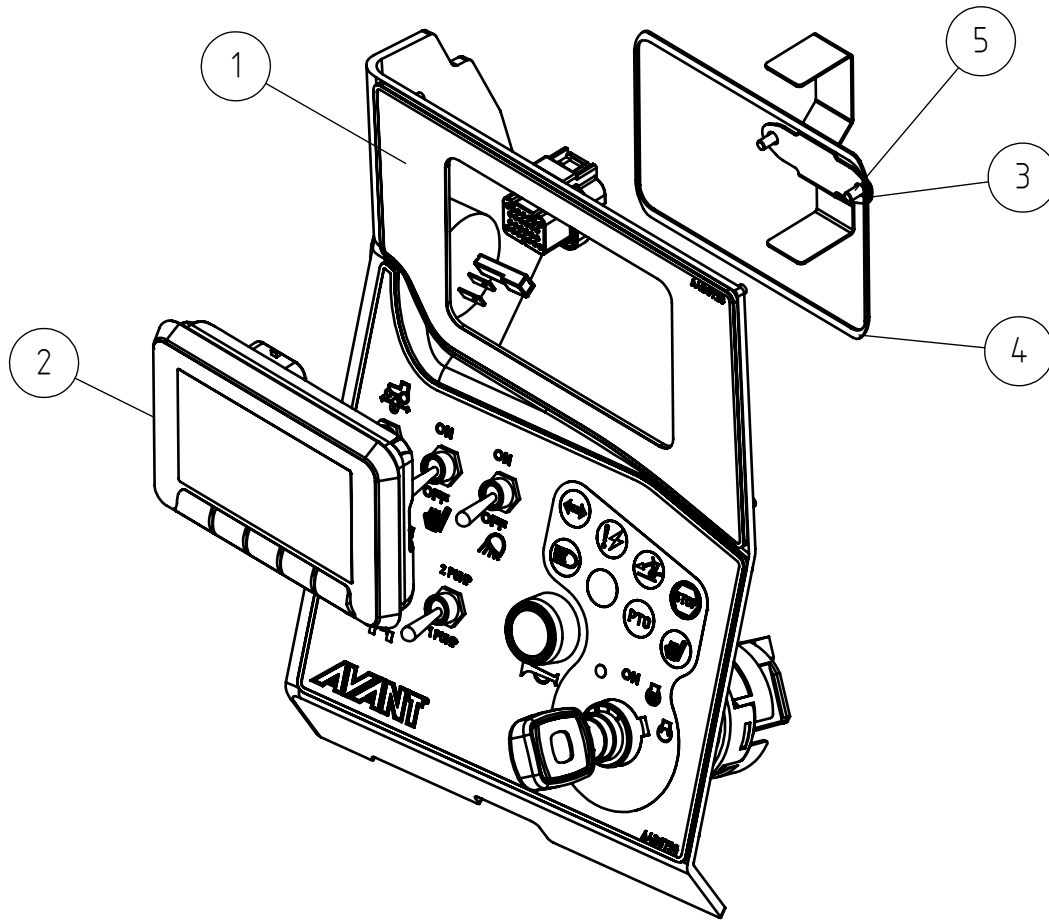
2.2.2024

A465450 CONTROLS ASSEMBLY CAB GT

REF	PART NO	QTY	DESCRIPTION	NOTES	PAGE
1	A449855	1	MOUNTING PLATE CONTROL VALVE CAB GT		-
2	A449863	1	MOUNTING PLATE CONTROL VALVE WITH		-
3	A436540	1	INSTRUMENT PANEL CAB GT		-
4	A449818	1	MOUNTING PLATE DRIVE PEDAL CAB GT		-
5	A434607	1	SEALING PLATE ASSEMBLY DRIVE PEDALS CAB		-
6	A454221	1	ARMREST RIGHT CAB GT		-
7	75129	7	THREAD-FORMING SCREW M6*16 DIN 7500C		-
8	75128	3	THREAD-FORMING SCREW M8*25 DIN 7500C		-
9	A438375	3	THREAD-FORMING SCREW 4*10		-
10	72320	2	HEXAGONAL NUT M8 NYLOC DIN 985		-
11	63944	2	WASHER, PAIR, NORD-LOCK M8		-

190/220

A436574 DASHBOARD CAB GT / DLX



2.2.2024

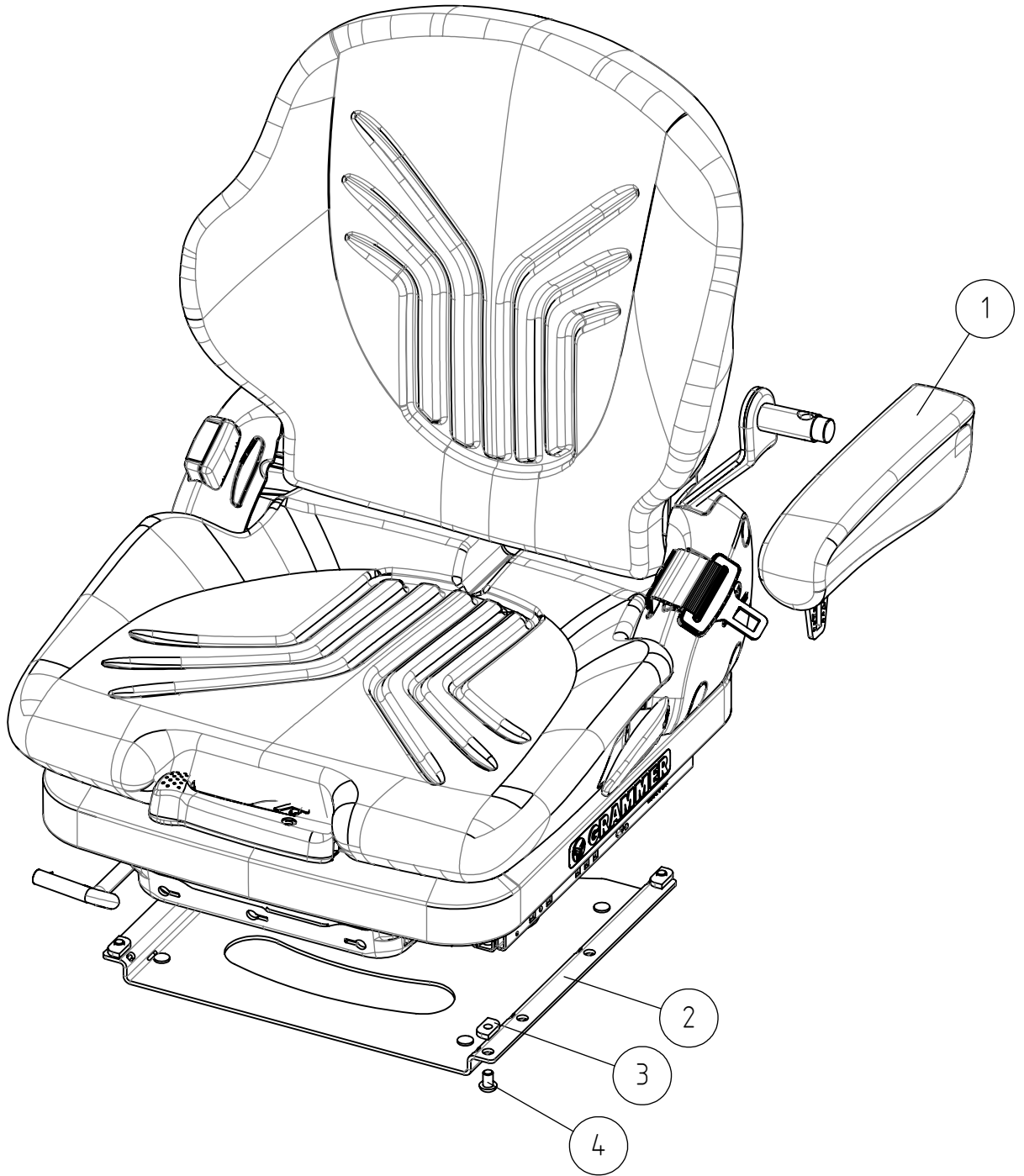
A436574 DASHBOARD CAB GT / DLX

REF	PART NO	QTY	DESCRIPTION	NOTES	PAGE
1	A456501	1	DASHBOARD WITHOUT DISPLAY CAB GT		-
2	A428466	1	DISPLAY 4,3" COLOUR LED		-
3	A423587	1	MOUNTING PLATE DISPLAY		-
4	A436780	1	GROUNDING FRAME CANVIEW4 GAUGE PANEL		-
5	A431502	2	PAN HEAD MACHINE SCREW M4*8		-
-	A436098	1	WIRE HARNESS DASHBOARD		-
-	A425315	1	INDICATOR LIGHTS DASHBOARD		-
-	A440326	1	ALARM BEEPER D28,5/D45 -H47		-
-	A436572	1	PANEL ABS GAUGES CAB DLX		-
-	66156	1	IGNITION SWITCH 12V/30A/60A IP65 COBO		-
-	A442322	1	ROCKER SWITCH ON-OFF-MOM 3-POLE		-
-	A443283	4	TOGGLE SWITCH ON-OFF 2-POLE		-
-	64074	1	PUSH BUTTON F22,5 SIGNAL HORN		-
-	A436674	1	MOUNTING FRAME ASSEMBLY SWITCH PANEL CAB		-
-	A436642	1	MOUNTING FRAME ASSEMBLY DISPLAY CAB		-

192/220

2.2.2024

A449724 SEAT FULL SUSPENSION FABRIC HEATER MSG65



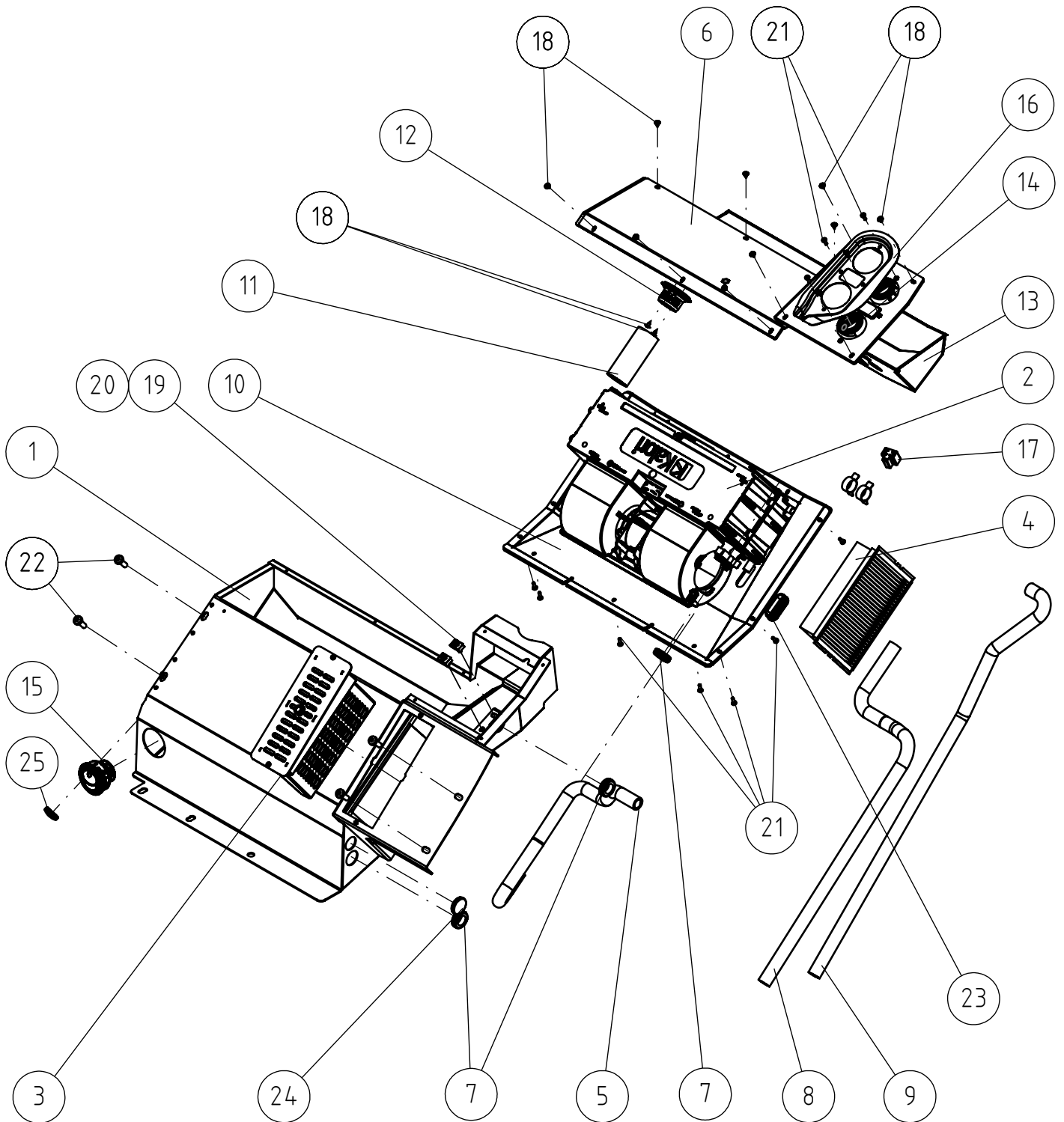
2.2.2024

A449724 SEAT FULL SUSPENSION FABRIC HEATER MSG65

REF	PART NO	QTY	DESCRIPTION	NOTES	PAGE
1	A452237	1	ARMREST LEFT, SEAT GRAMMER MSG65		-
2	A454836	1	MOUNTING PLATE SEAT CAB GT		-
3	A438059	4	SLIDING NUT M8		-
4	75131	4	BUTTON HEAD SOCKET CAP SCREW M8*12 10.9		-

194/220

A438246 HEATER ASSEMBLY CAB GT



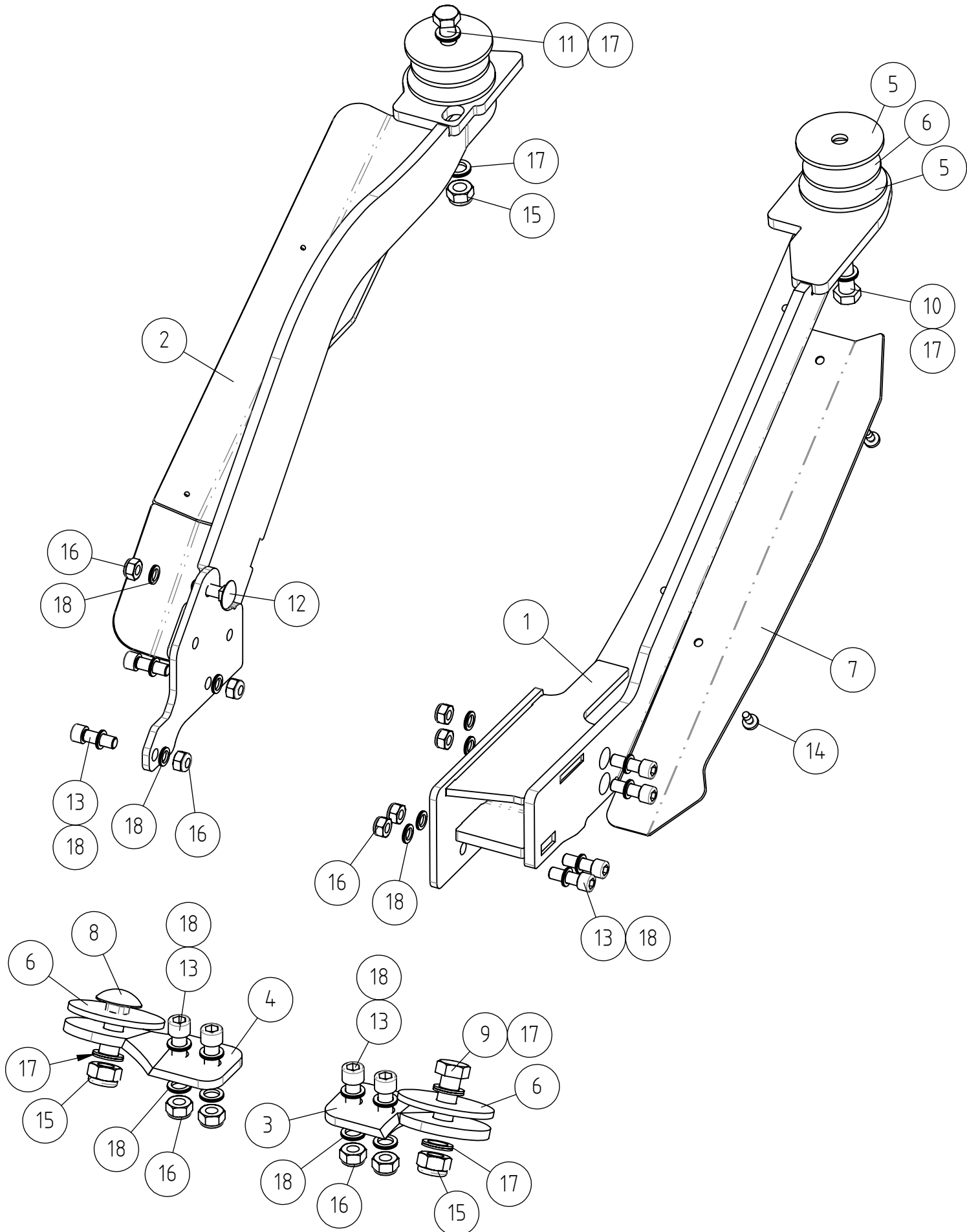
2.2.2024

A438246 HEATER ASSEMBLY CAB GT

REF	PART NO	QTY	DESCRIPTION	NOTES	PAGE
1	A434046	1	HOUSING, HEATER CAB GT		-
2	A438010	1	HEATER CAB GT KOOL E 12V		-
3	A434672	1	HOUSING AIR FILTER CAB		-
4	A422597	1	AIR FILTER CARTRIDGE CAB		-
5	A434090	1	HOSE HEATER CAB GT		-
6	A438253	1	COVER PLATE HEATER CHANNEL CAB GT		-
7	A434302	3	GROMMET F32/25/19 60SH		-
8	A434303	1	INLET HOSE HEATER CAB GT		-
9	A434304	1	RETURN HOSE HEATER CAB GT		-
10	A436401	1	LID HEATER CAB GT		-
12	A436387	1	HOSE FITTING 40MM		-
13	A438219	1	ISOLATION PLATE HEATER CHANNEL CAB GT		-
14	65514	1	THERMOSTAT, HEATER, CAB		-
15	A436549	1	NOZZLE 60MM AIR FLOW CAB GT		-
16	A437682	1	FRAME, HEATER ADJUSTMENT KNOB CAB GT		-
17	A436290	1	WIRE HARNESS HEATER/AIRCON CAB GT		-
18	A436550	12	PAN HEAD MACHINE SCREW M3,9*9,5		-
19	75172	2	SPEED NUT M5 FOR 0.5-4.0 MM PLATE		-
20	74771	2	PAN HEAD MACHINE SCREW M5* 25		-
21	A430277	16	TORX SCREW M4*12		-
22	75128	4	THREAD-FORMING SCREW M8*25 DIN 7500C		-
23	65849	2	PLUG OVAL 20X50		-
24	66034	1	RUBBER PLUG F35/F25-10 S=3		-
25	A438250	1	RUBBER PLUG D28/D21 S=3 60SH		-
26	A438229	4	HOSE CLAMP D23		-

2.2.2024

A442729 SUBFRAME CAB GT

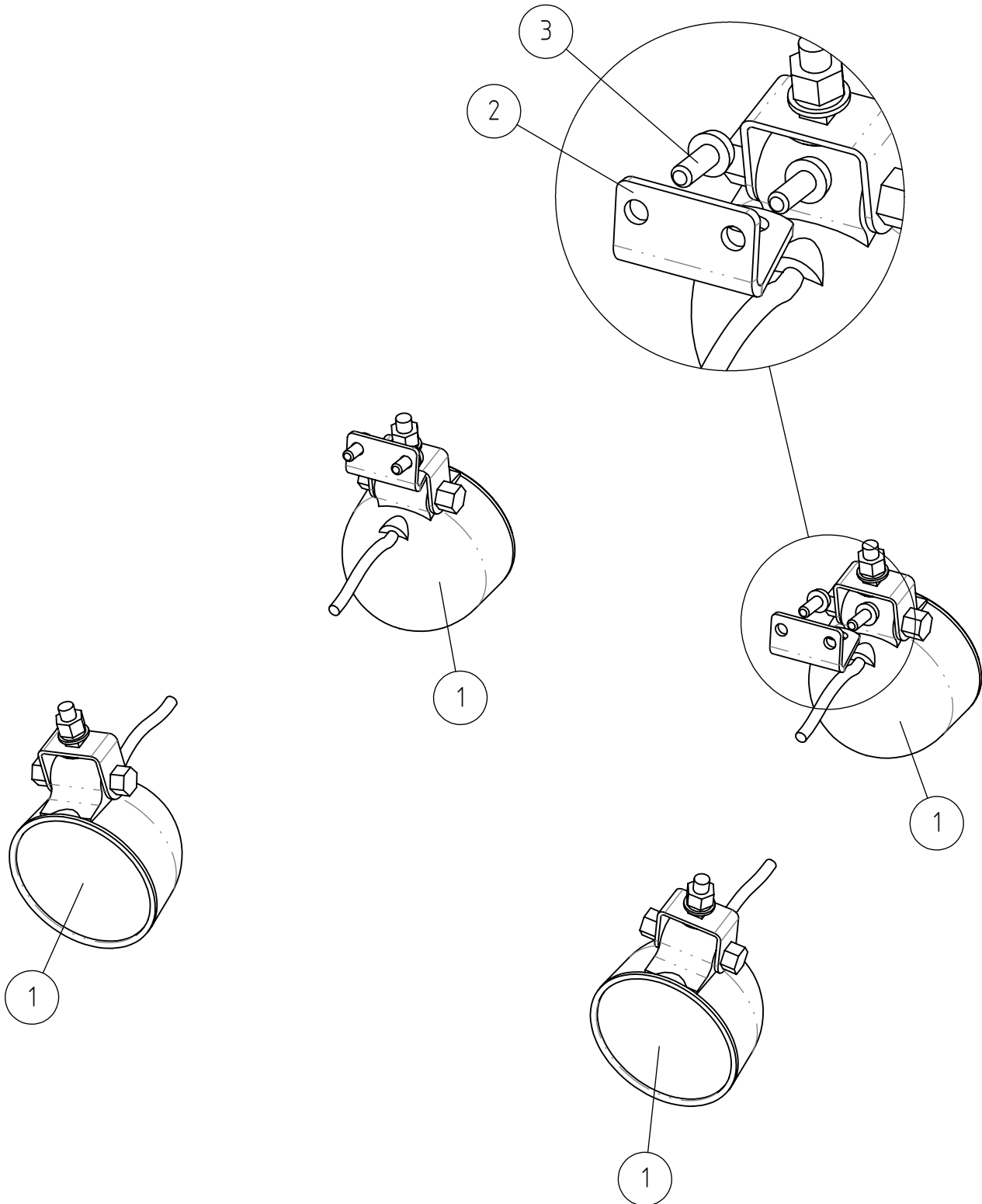


2.2.2024

A442729 SUBFRAME CAB GT

REF	PART NO	QTY	DESCRIPTION	NOTES	PAGE
1	A452292	1	MOUNTING BRACKET LEFT SUBFRAME CAB GT		-
2	A452289	1	MOUNTING BRACKET RIGHT SUBFRAME CAB GT		-
3	A445439	1	MOUNTING PLATE LEFT CAB		-
4	A445639	1	MOUNTING PLATE RIGHT CAB		-
5	A438392	4	WASHER SUBFRAME CAB GT		-
6	A442463	4	RUBBER WASHER SUBFRAME CAB GT		-
7	A446409	1	COVER PANEL LEFT SUBFRAME CAB GT		-
8	74404	1	CARRIAGE BOLT M16*45 DIN603		-
9	72192	1	HEXAGONAL SCREW M16*45 DIN 933		-
10	72193	1	HEXAGONAL SCREW M16* 50 DIN 933		-
11	73569	1	HEXAGONAL SCREW M16* 60 DIN 933		-
12	74915	1	CARRIAGE BOLT M12*40 DIN603		-
13	74876	10	HEXAGONAL HEAD SCREW M12*35 DIN912		-
14	A465214	2	THREAD-FORMING SCREW M8*16 DIN 7500-PE		-
15	72330	3	HEXAGONAL NUT M16 NYLOC DIN 985		-
16	72324	11	HEXAGONAL NUT M 12 NYLOC DIN 985		-
17	74533	6	WASHER, PAIR, M16 NL16 NORDLOCK		-
18	74532	21	WASHER NORDLOCK NL12		-

A438528 WORK LIGHT KIT LED 700LM CAB GT



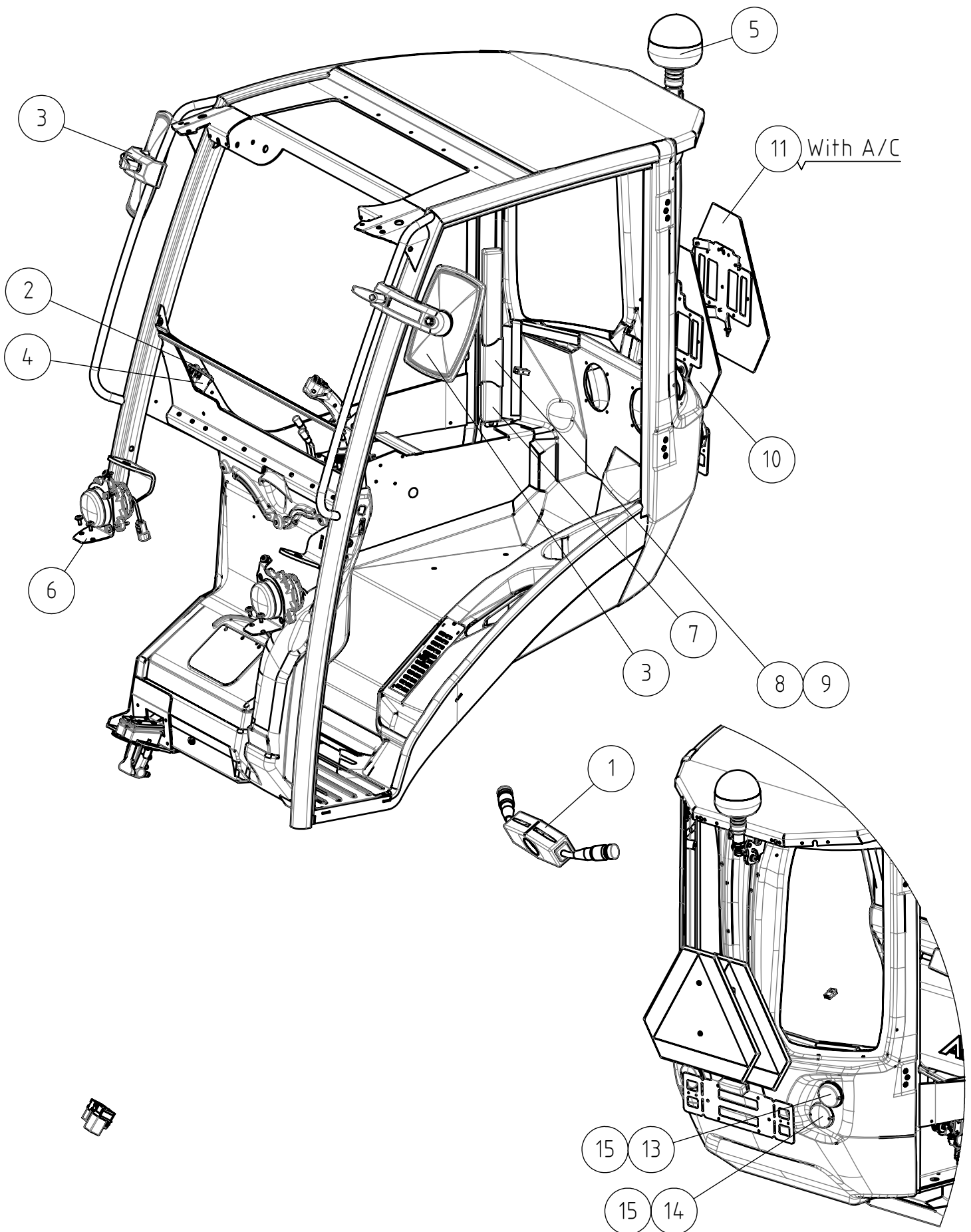
2.2.2024

A438528 WORK LIGHT KIT LED 700LM CAB GT

REF	PART NO	QTY	DESCRIPTION	NOTES	PAGE
1*	66068	4	WORK LIGHT LED 700 LUMEN 12V/12W COBO	700 Lumen	-
1**	A419163	4	WORK LIGHT LED 2500 LUMEN WITH CONNECTOR	2500 Lumen	-
2	A438523	2	MOUNTING BRACKET WORK LIGHT CAB 800 SER		-
3	75129	4	THREAD-FORMING SCREW M6*16 DIN 7500C		-

200/220

A449942 ROAD TRAFFIC KIT CAB GT 500-600 SERIES



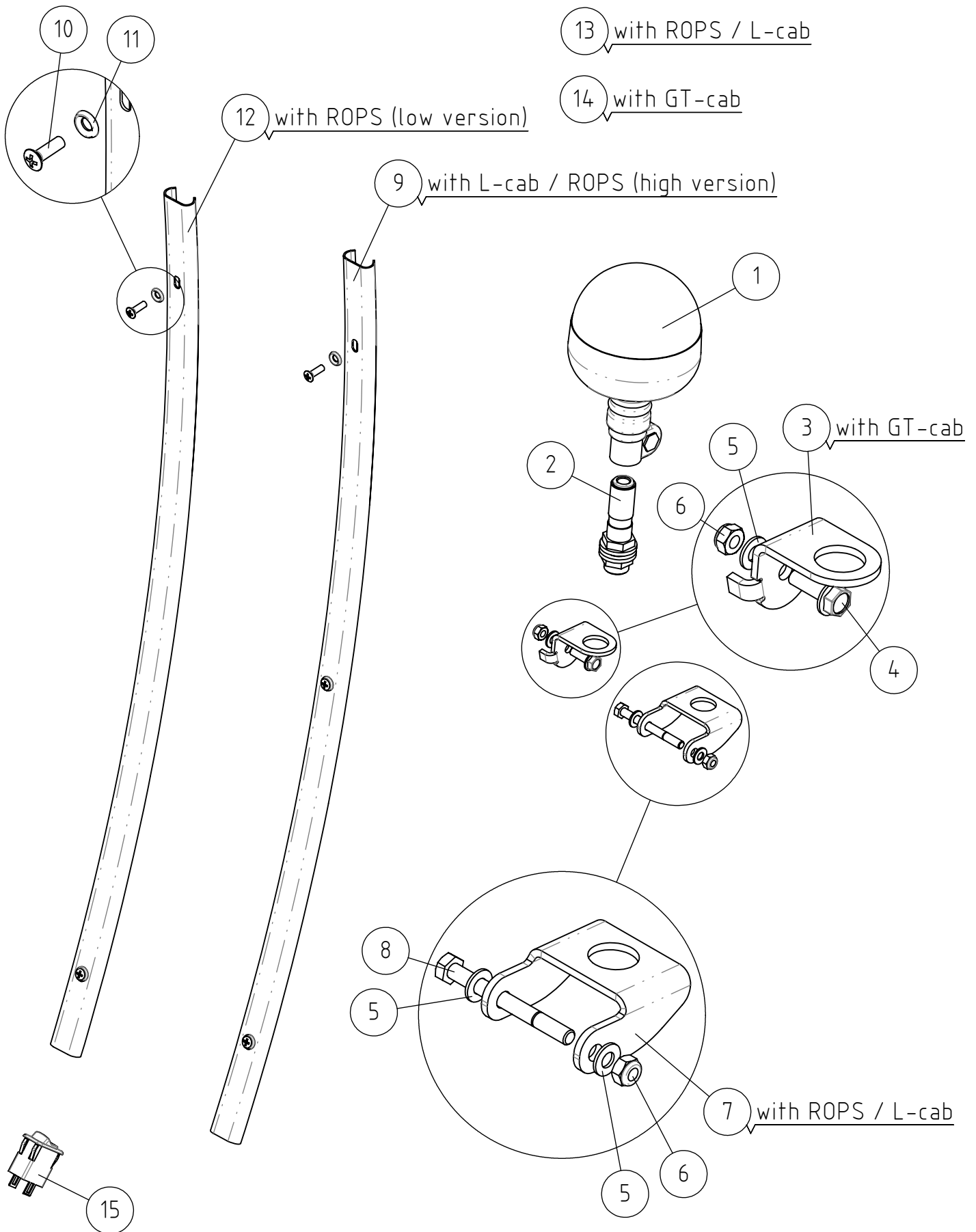
2.2.2024

A449942 ROAD TRAFFIC KIT CAB GT 500-600 SERIES

REF	PART NO	QTY	DESCRIPTION	NOTES	PAGE
1	65640	1	LIGHTS/WINDSCREEN WIPER LEVER SWITCH		-
2	65064	1	SWITCH, WARNING BLINKER		-
3	A437856	2	SIDE MIRROR WITH ARM CAB GT		-
3.1	A437934	1	SIDE MIRROR R1400		-
3.2	A437935	1	ARM SIDE MIRROR		-
4	65065	1	SWITCH, BEACON		-
5	A438530	1	BEACON 800 SERIES		204
6	A450854	1	HEADLAMPS / PARKING LIGHTS / INDICATOR		-
7	A435070	1	SLOW MOVING VEHICLE TRIANGLE 430X45X30		-
8	A438769	1	MOUNTING BRACKET WARNING TRIANGLE CAB GT		-
9	A429914	2	TORX SCREW 5X20 10.9		-
10	A438396	1	SLOW MOVING VEHICLE SIGN WITH BRACKET		-
10.1	64733	1	SIGN, SLOW MOVING VEHICLE, RED		-
11	A438374	1	SIGN, SLOW MOVING VEHICLE, RED		-
11.1	64733	1	SIGN, SLOW MOVING VEHICLE, RED		-
12	A449798	1	WIRE HARNESS ROAD TRAFFIC KIT FRONT		-
12.1	A438175	2	RELAY 12V/30A		-
12.2	65751	1	INDICATOR RELAY 12V 84W WEH-54 201 102		-
13	64849	2	BLINKER		-
14	A437537	2	REAR LIGHT BRAKE AND PARKING (RED) 12V		-
15	A435740	8	HEXAGONAL HEAD SCREW M3*20 DIN 912		-
16	A438379	1	MOUNTING BRACKET ASSEMBLY LICENCE PLATE		-

202/220

A438530 BEACON 800 SERIES



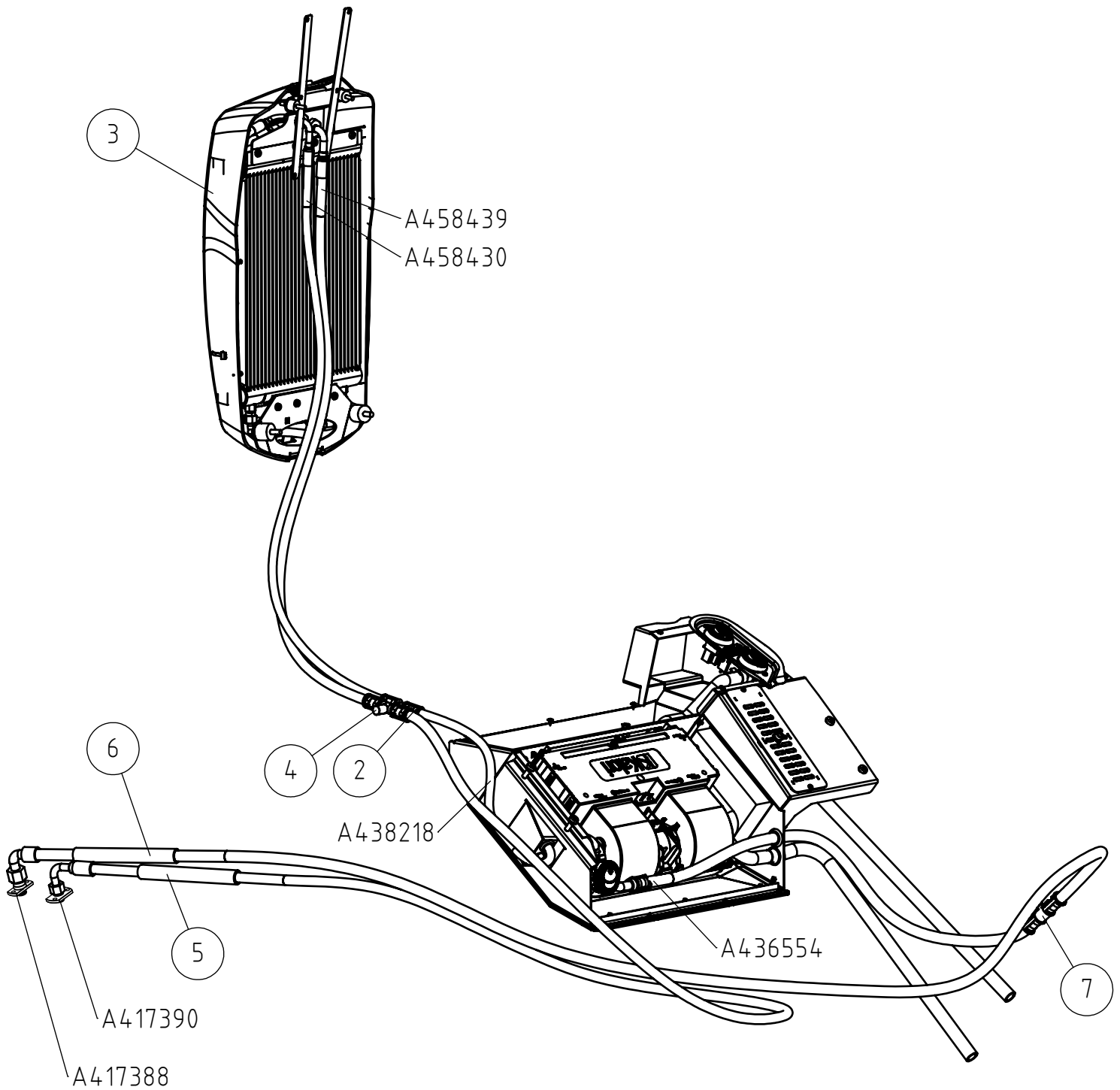
2.2.2024

A438530 BEACON 800 SERIES

REF	PART NO	QTY	DESCRIPTION	NOTES	PAGE
1	A435335	1	BEACON, ORANGE WITH LED LIGHT 11W		-
2	65058	1	BRACKET (PIN), BEACON		-
3	A412068	1	BRACKET, BEACON, CAB DLX		-
4	A429202	1	HEXAGONAL SERRATED SCREW M8*25 WITH FLAN		-
5	73122	3	WASHER M8 A8,4 DIN 125 ZN		-
6	72320	2	HEXAGONAL NUT M8 NYLOC DIN 985		-
7	A49059	1	BRACKET, BEACON		-
8	72143	1	HEX. SCREW M8*80 DIN 931		-
9	A49080	1	COVER STRIP, SIDE		-
10	74767	5	RAISED COUNTERSUNK HEAD SCREW M6*20		-
11	74768	5	WASHER CONICAL M6		-
12	A450714	1	COVER STRIP SIDE SHORT		-
13	A440104	1	WIRE HARNESS BEACON 700/800 ROPS STAGE V		-
14	A440977	1	ADAPTER ROTATING BEACON CAB GT		-
15	65065	1	SWITCH, BEACON		-

204/220

A450869 AIR CONDITIONING ASSEMBLY CAB GT



2.2.2024

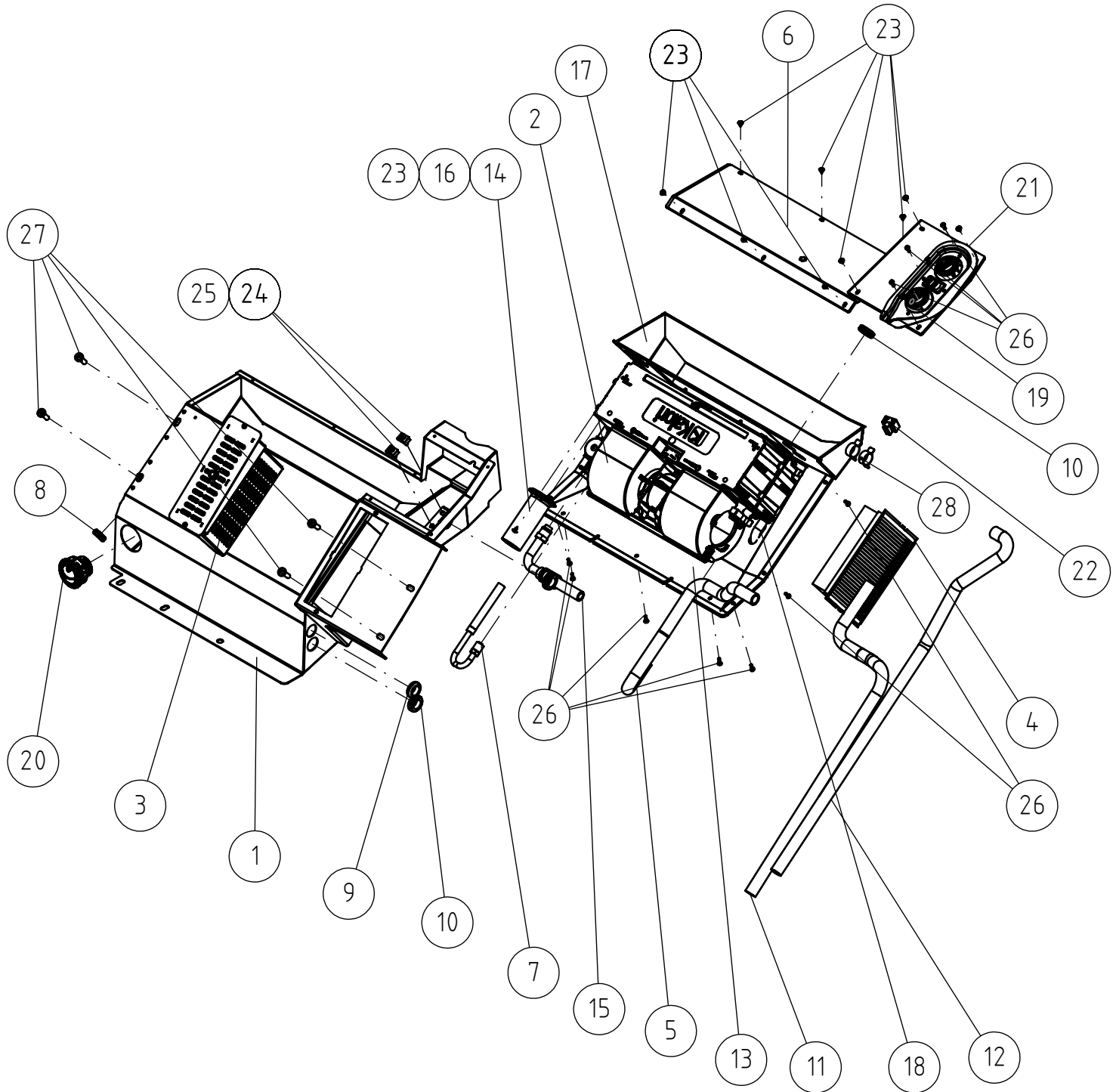
A450869 AIR CONDITIONING ASSEMBLY CAB GT

REF	PART NO	QTY	DESCRIPTION	NOTES	PAGE
1	A434047	1	HEATER MODULE CAB GT		208
2	A450870	1	FITTING COOLANT A/C		-
3	A449155	1	CONDENSER WITH RECEIVER DRIER A/C CAB GT		210
4	66173	1	HOSE FITTING M08 KALORI		-
5	A456720	1	HOSE A/C L=3100 M8		-
6	A456717	1	HOSE A/C L=2710 M10		-
7	66174	1	HOSE FITTING M10 KALORI		-

206/220

2.2.2024

A434047 HEATER MODULE CAB GT



2.2.2024

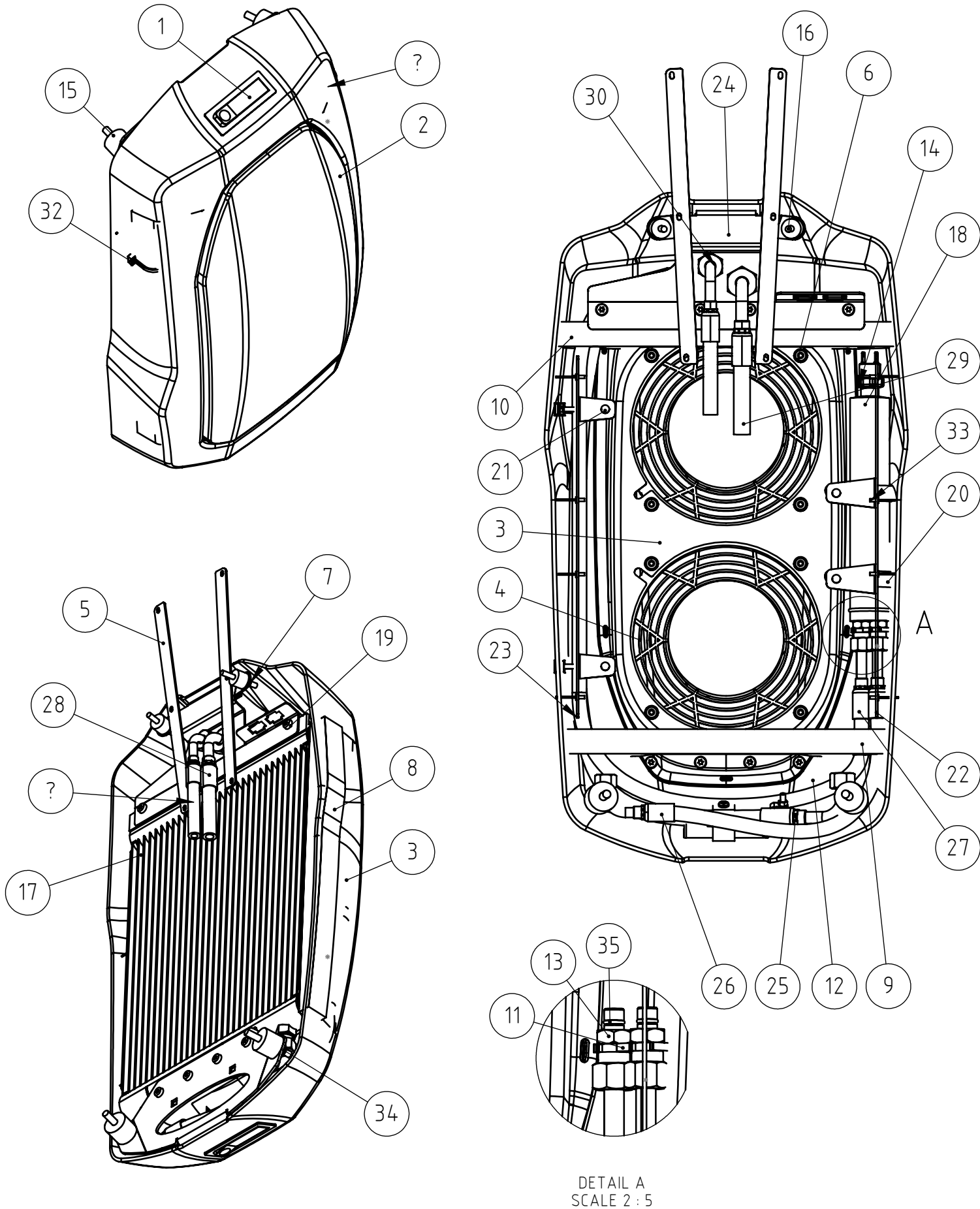
A434047 HEATER MODULE CAB GT

REF	PART NO	QTY	DESCRIPTION	NOTES	PAGE
1	A434046	1	HOUSING, HEATER CAB GT		-
2	A436383	1	HEATER CAB GT 6,6/4,5 KW KOOL KOMBI E		-
3	A434672	1	HOUSING AIR FILTER CAB		-
4	A422597	1	AIR FILTER CARTRIDGE CAB		-
5	A434090	1	HOSE HEATER CAB GT		-
6	A434450	1	COVER PLATE HEATER CHANNEL CAB GT		-
7	A438218	1	REFRIGERANT HOSE L=900 ASSEMBLY		-
8	65525	1	GROMMET F27/21/13		-
9	65526	1	GROMMET F32/25/19		-
10	A434302	3	GROMMET F32/25/19 60SH		-
11	A434303	1	INLET HOSE HEATER CAB GT		-
12	A434304	1	RETURN HOSE HEATER CAB GT		-
13	A436401	1	LID HEATER CAB GT		-
15	A436554	1	REFRIGERANT HOSE HEATER CAB GT		-
16	A436387	1	HOSE FITTING 40MM		-
17	A438219	1	ISOLATION PLATE HEATER CHANNEL CAB GT		-
18	A413467	2	WATER HOSE, CONDENSATION WASSER		-
19	65514	1	THERMOSTAT, HEATER, CAB		-
20	A436549	1	NOZZLE 60MM AIR FLOW CAB GT		-
21	A437682	1	FRAME, HEATER ADJUSTMENT KNOB CAB GT		-
22	A436290	1	WIRE HARNESS HEATER/AIRCON CAB GT		-
23	A436550	12	PAN HEAD MACHINE SCREW M3,9*9,5		-
24	75172	2	SPEED NUT M5 FOR 0.5-4.0 MM PLATE		-
25	74771	2	PAN HEAD MACHINE SCREW M5* 25		-
26	A430277	16	TORX SCREW M4*12		-
27	75128	4	THREAD-FORMING SCREW M8*25 DIN 7500C		-
28	A438229	4	HOSE CLAMP D23		-

208/220

2.2.2024

A449155 CONDENSER WITH RECEIVER DRIER A/C CAB GT



DETAIL A
SCALE 2 : 5

2.2.2024

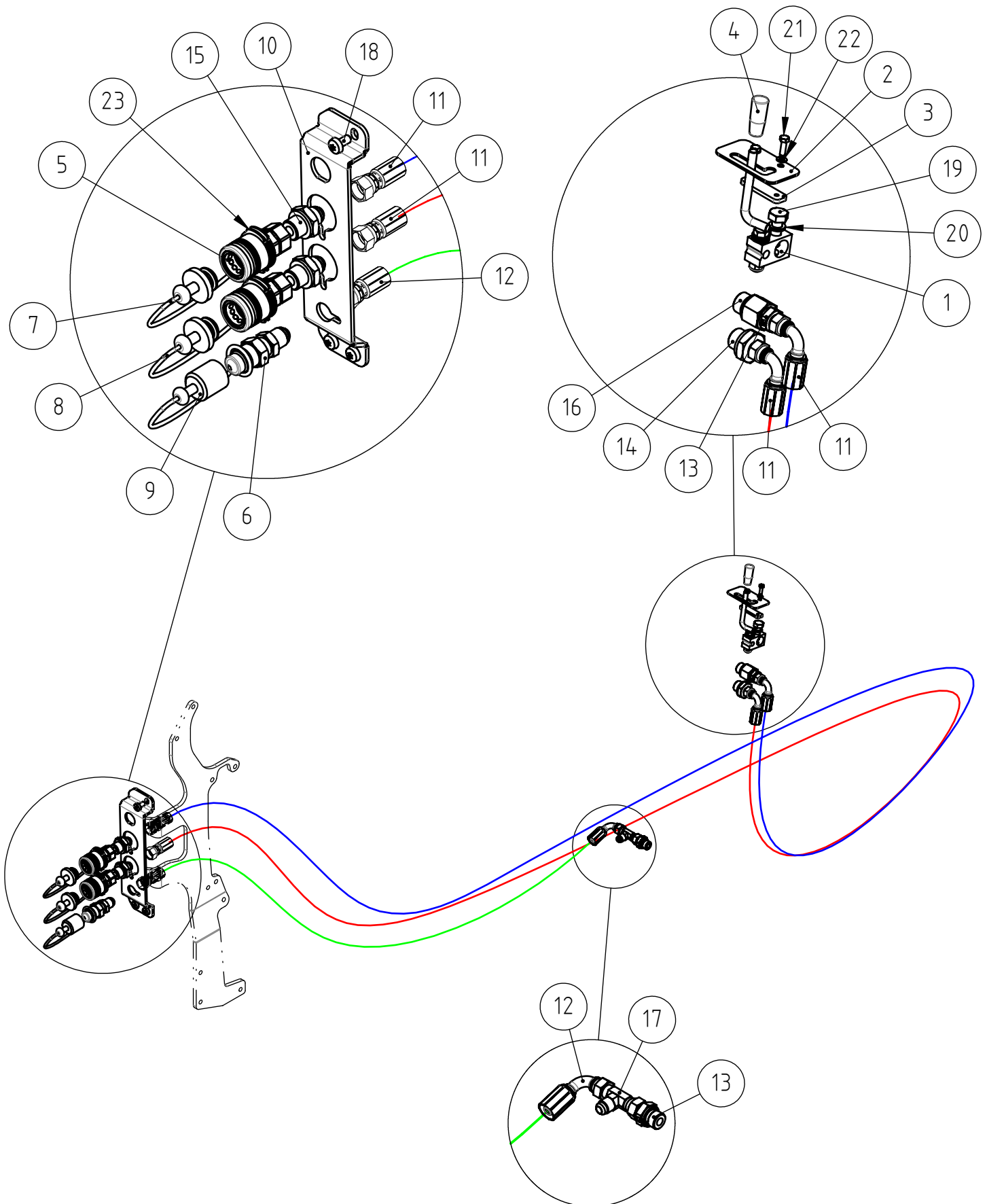
A449155 CONDENSER WITH RECEIVER DRIER A/C CAB GT

REF	PART NO	QTY	DESCRIPTION	NOTES	PAGE
1	65085	1	LATCH		-
2	A445944	1	PROTECTIVE MESH COVER PANEL CONDENSER		-
3	A445947	1	HOUSING CONDENSER A/C CAB GT		-
4	64778	2	FAN 12VDC F190		-
5	A447841	2	SUPPORT ROD COVER PANEL C PILLAR CAB GT		-
6	A449842	9	HEXAGONAL HEAD SCREW M6*16 10.9		-
7	72318	14	HEXAGONAL NUT M 6 DIN 985 NYLOC		-
8	A446529	2	SEAL SIDE CONDENSER A/C		-
9	A446531	1	SEAL LOWER CONDENSER A/C		-
10	A446533	1	SEAL UPPER CONDENSER A/C		-
11	A446555	1	BRACKET HOSE NIPPLE A/C CAB GT		-
12	A445771	1	MOUNTING BRACKET LOWER CONDENSER A/C		-
13	A445712	2	HOSE NIPPLE RECEIVER DRIER A/C CAB GT		-
14	A445557	1	PRESSURE SWITCH HP 26,5 BAR / LP 2 BAR		-
15	A437449	2	VIBRATION DAMPER RUBBER 30/25/20 M8		-
16	A445490	2	VIBRATION DAMPER D20X15		-
17	A445709	1	CONDENSER A/C CAB GT		-
18	A445301	1	RECEIVER DRIER A/C CAB GT		-
19	A444170	8	THREAD-FORMING SCREW M6*12 DIN 7500CE		-
20	A445508	2	PIPE CLAMP D38 M8		-
21	A446561	4	PRESS-IN SCREW M6*15		-
22	A447781	1	MOUNTING PLATE RECEIVER DRIER A/C		-
23	A447823	1	MOUNTING PLATE HOSES CONDENSER A/C CAB		-
24	A447824	1	MOUNTING BRACKET UPPER CONDENSER A/C		-
25	A447869	2	HOSE FITTING 90° M0808 REFRIGERANT		-
26	A447867	2	HOSE FITTING 90° M0606 REFRIGERANT		-
27	A447959	2	HOSE FITTING STRAIGHT M0606 REFRIGERANT		-
28	A447955	1	HOSE FITTING 08 90° REFRIGERANT		-
29	A450085	1	HOSE 08 A/C CAB GT		-
30	A447957	1	HOSE FITTING 06 90° REFRIGERANT		-
31	A450084	1	HOSE 06 A/C CAB GT		-
32	A442639	2	CABLE TIE 7,6*390 M6 BLACK		-
33	A448802	8	BLIND RIVET 3,0*8,0		-
34	72320	2	HEXAGONAL NUT M8 NYLOC DIN 985		-
35	A449800	2	O-RING D7,28X1,78		-

210/220

2.2.2024

A449939 AUX. HYDR. OUTLET REAR DOUBLE ACTING 600



2.2.2024

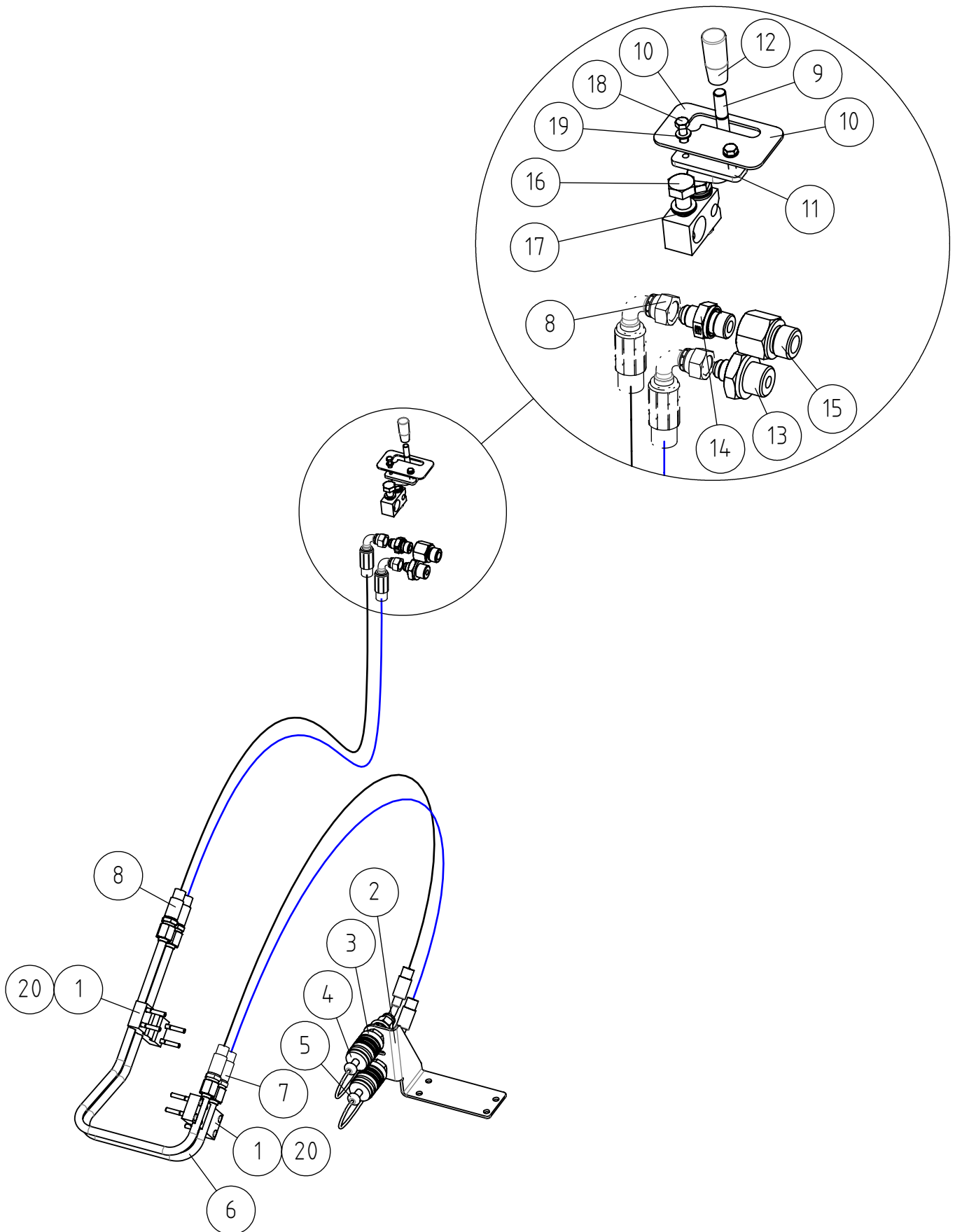
A449939 AUX. HYDR. OUTLET REAR DOUBLE ACTING 600

REF	PART NO	QTY	DESCRIPTION	NOTES	PAGE
1	A436758	1	CONTROL LEVER REAR AUX. HYDRAULICS,		-
2	A441528	1	LOCKING PLATE CONTROL LEVER AUXILIARY		-
3	A48360	1	LOCKING PIECE		-
4	74761	1	KNOB, CONTROL LEVER		-
5	A444063	2	QUICK COUPLER 1/2" (FEMALE)		-
6	64189	1	QUICK COUPLING MALE UNION 1/2" 4V14-T5X4		-
7	65566	1	RUBBER PLUG BLUE 1/2" , QUICK COUPLING		-
8	65133	1	RUBBER COVER, RED, QUICK COUPLER		-
9	73753	1	COVER 1/2" TO MALE QUICK COUPLER		-
10	A435340	1	MOUNTING BRACKET QUICK COUPLERS REAR		-
11	A451601	2	HYDR. HOSE L=3100		-
12	A429507	1	HYDR. HOSE L=1600		-
13	64041	2	BASIC FITTING F40XS10-3/8 /8		-
14	64040	1	BASIC FITTING F40XS10-1/2 /2		-
15	64058	2	BASIC FITTING F40XS12-1/2		-
16	73958	1	REDUCER FITTING RI 1/2" - EDX 3/8"		-
17	64078	1	L-FITTING BODY R6XS10		-
18	A442270	3	THREAD-FORMING SCREW M8*16 DIN 7500C		-
19	72151	1	HEXAGONAL SCREW M10*30 DIN 933 ZN		-
20	74531	1	SPACER NORDLOCK M10, PAIR		-
21	72110	2	HEX. SCREW M5*16 DIN 933		-
22	74448	2	WASHER M5 A5,3 DIN 125 ZN		-
23	74769	4	SEEGER RING A 38*1,75 DIN 471		-

212/220

2.2.2024

A449940 EXTRA AUX. HYDR. OUTLET FRONT 600 SERIES



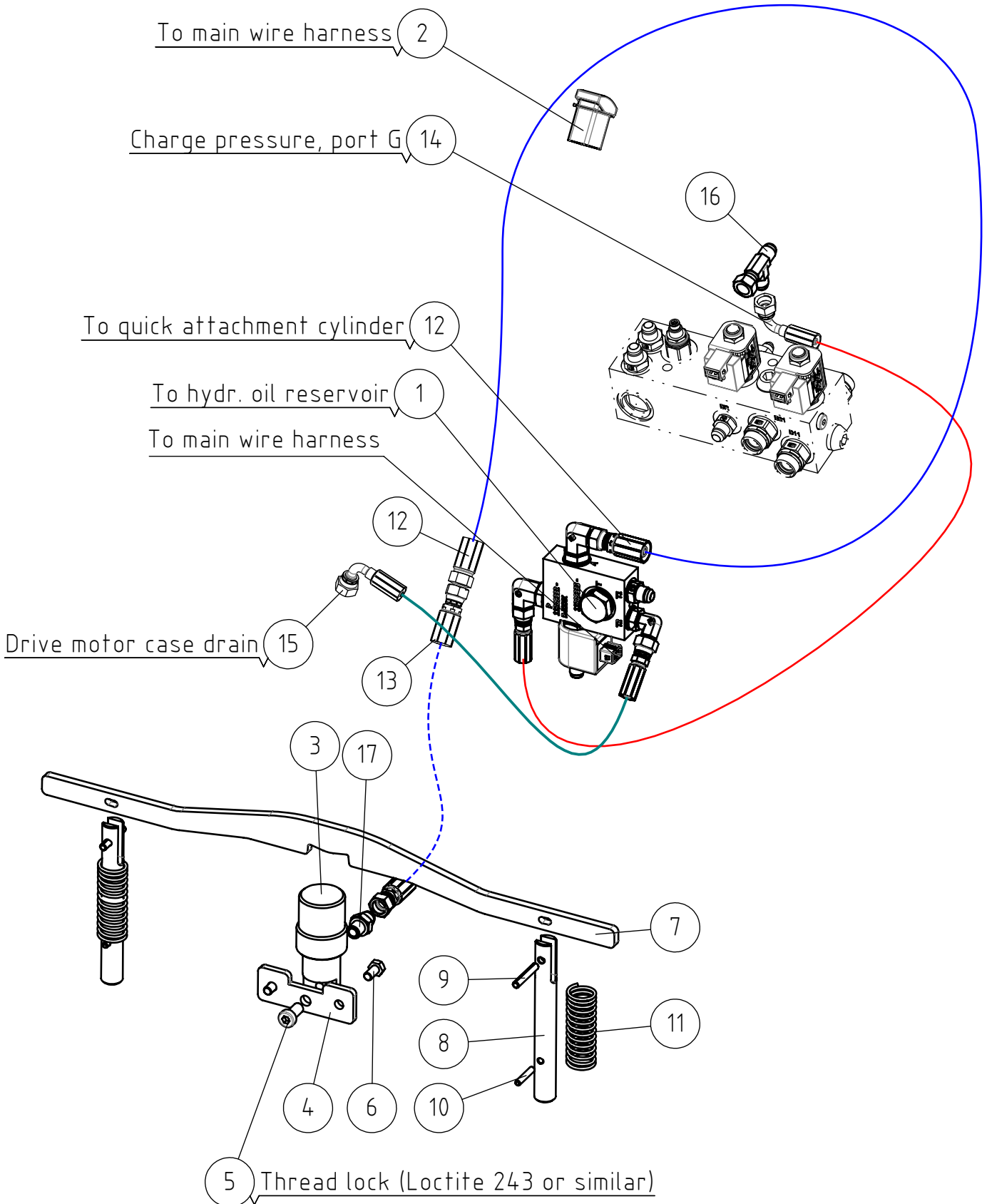
2.2.2024

A449940 EXTRA AUX. HYDR. OUTLET FRONT 600 SERIES

REF	PART NO	QTY	DESCRIPTION	NOTES	PAGE
1	A414870	2	PIPE CLAMP F12		-
2	A422154	1	MOUNTING PLATE, QUICK COUPLERS EXTRA		-
3	64190	2	QUICK COUPLING PART 1/2" 2V54-T5X4 FEMAL		-
4	73754	1	RUBBER PLUG 1/2", TO FEMALE QUICK COUPLE		-
5	65566	1	RUBBER PLUG BLUE 1/2", QUICK COUPLING		-
6	A414873	2	HYDRAULIC TUBE F12		-
7	A414877	2	HYDR. HOSE L=1300		-
8	A47638	2	HYDR. HOSE L=1610 2LW-06		-
9	A436758	1	CONTROL LEVER REAR AUX. HYDRAULICS,		-
10	A441528	1	LOCKING PLATE CONTROL LEVER AUXILIARY		-
11	A48360	1	LOCKING PIECE		-
12	74761	1	KNOB, CONTROL LEVER		-
13	64040	1	BASIC FITTING F40XS10-1/2 /2		-
14	64041	1	BASIC FITTING F40XS10-3/8 /8		-
15	73958	1	REDUCER FITTING RI 1/2" - EDX 3/8"		-
16	72151	1	HEXAGONAL SCREW M10*30 DIN 933 ZN		-
17	74531	1	SPACER NORDLOCK M10, PAIR		-
18	72110	2	HEX. SCREW M5*16 DIN 933		-
19	74448	2	WASHER M5 A5,3 DIN 125 ZN		-
20	74438	8	HEXAGONAL HEAD SCREW M6*40 DIN 912		-

214/220

A450469 HYDRAULIC ATTACHMENT COUPLING PLATE 500,



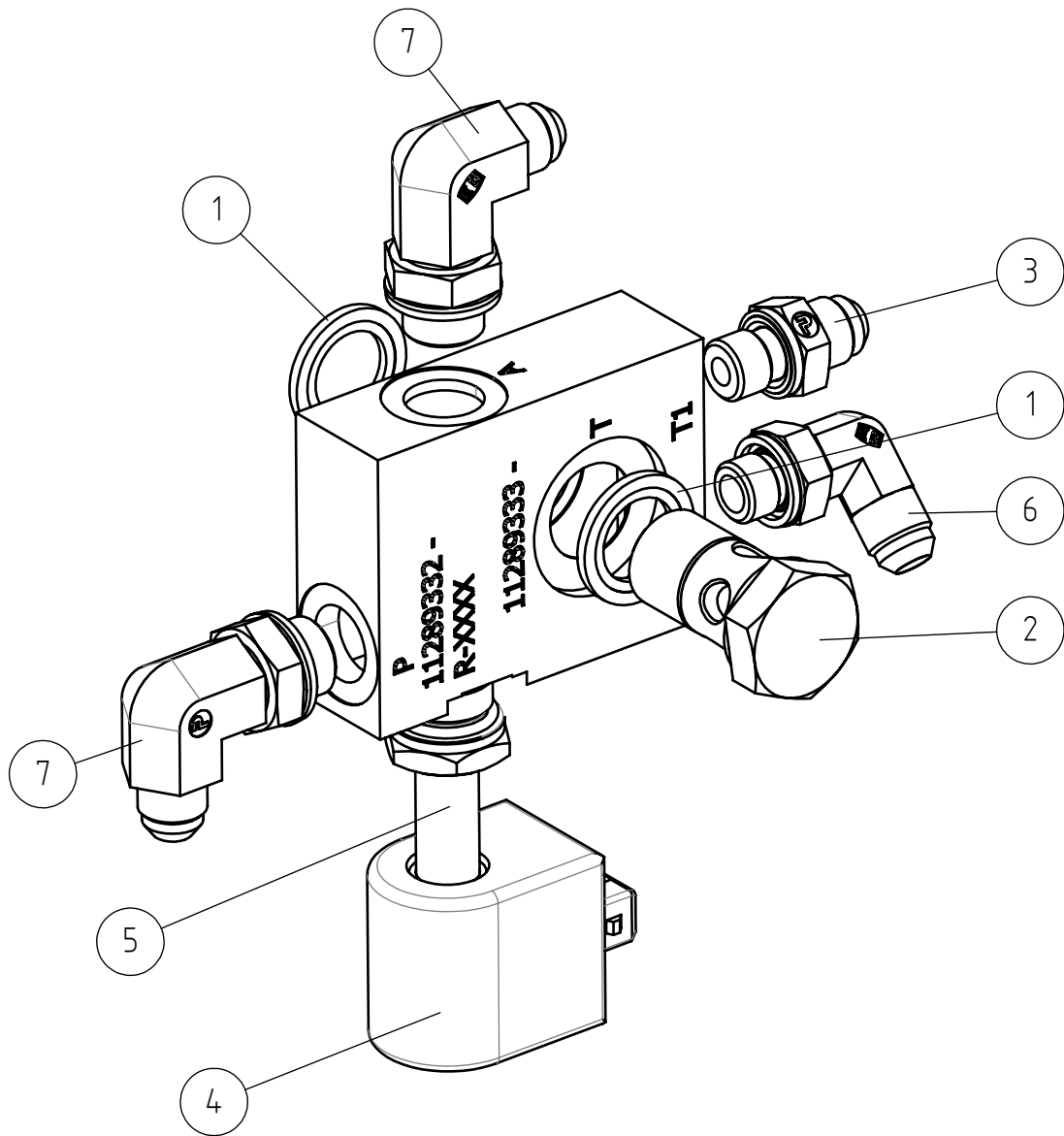
2.2.2024

A450469 HYDRAULIC ATTACHMENT COUPLING PLATE 500,

REF	PART NO	QTY	DESCRIPTION	NOTES	PAGE
1	A449703	1	VALVE ASSEMBLY HYDR. ATTACHMENT COUPLING		218
2	A430996	1	CONTROL SWITCH, HYDR ATTACHMENT COUPLING		-
3	A425700	1	HYDRAULIC CYLINDER F35/F35-30		-
4	A424829	1	MOUNTING BRACKET CYLINDER HYD QUICK ATTA		-
5	74752	1	HEXAGONAL HEAD SCREW M10*20 DIN 7984 ZN		-
6	73039	2	HEXAGONAL SCREW M 8*16 DIN 933 ZN		-
7	A424886	1	ROD HYDR. ATTACHMENT COUPLING		-
8	A410803	2	LOCKING PIN F20, HYDR. ATTACHM COUPLING		-
9	71793	2	SPRING COTTER PIN 6 * 40		-
10	73661	2	SPRING PIN 5*30 DIN 1481		-
11	A430549	2	COMPRESSION SPRING		-
12	A430210	1	HYDR. HOSE L=5600		-
13	A430203	1	HYDR. HOSE L=400		-
14	A415120	1	HYDR. HOSE L=750		-
15	A410017	1	HYDR. HOSE L=400		-
16	64078	1	L-FITTING BODY R6XS10		-
17	64059	1	BASIC FITTING F40XS10-1/4		-

216/220

A449703 VALVE ASSEMBLY HYDR. ATTACHMENT COUPLING



2.2.2024

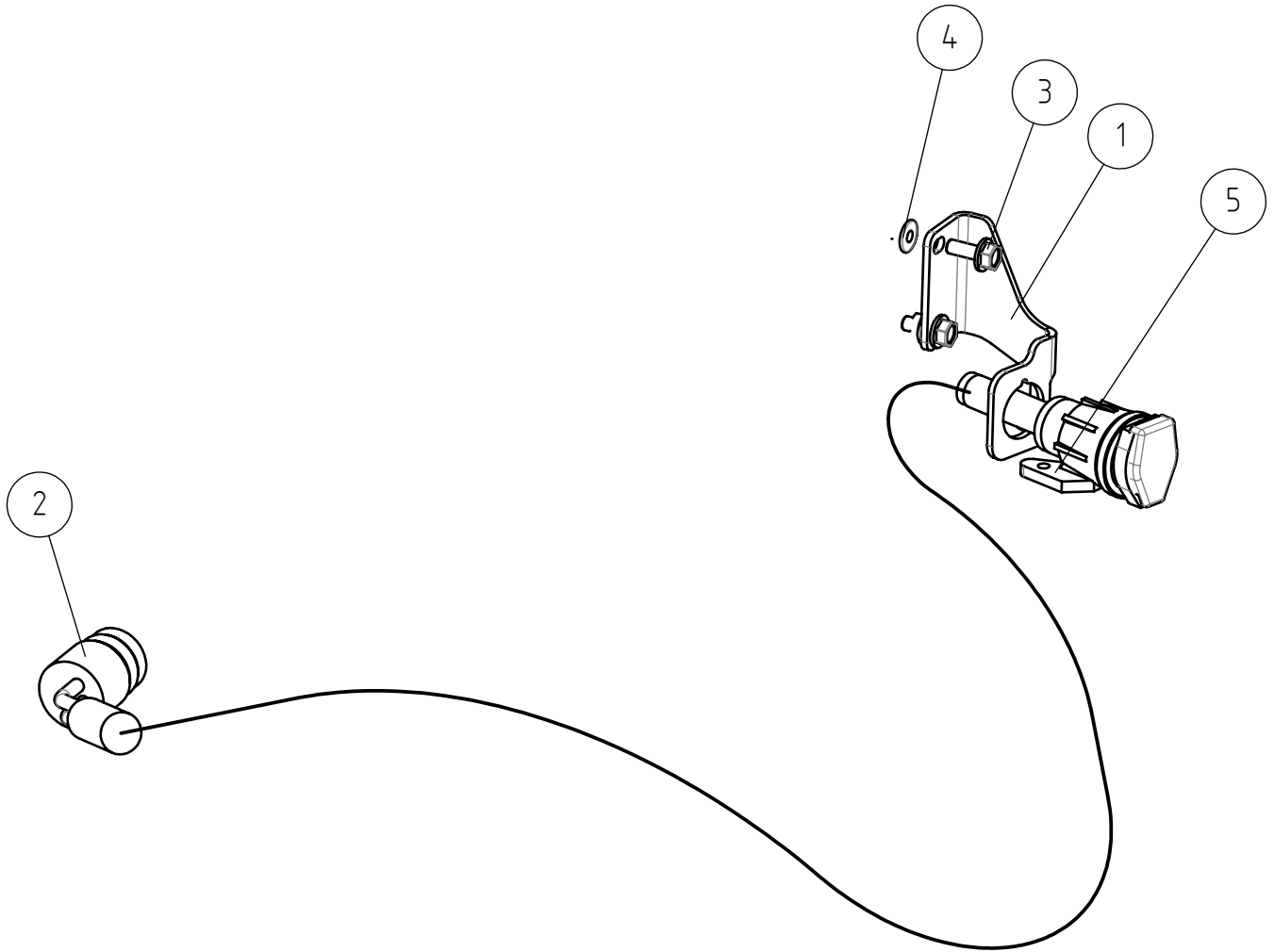
A449703 VALVE ASSEMBLY HYDR. ATTACHMENT COUPLING

REF	PART NO	QTY	DESCRIPTION	NOTES	PAGE
1	73047	2	USIT SEAL RING R/12"		-
2	73959	1	BANJO BOLT R 1/2"		-
3	64059	1	BASIC FITTING F40XS10-1/4		-
4	A449743	1	SOLENOID 12V/20W		-
5	A449744	1			-
6	64087	1	ELBOW FITTING 90 DEGR. /4#		-
7	64044	2	ELBOW FITTING 90° C40XS10-3/8 /8		-

218/220

2.2.2024

A449947 ENGINE BLOCK HEATER 645I/650I 220/230V



2.2.2024

A449947 ENGINE BLOCK HEATER 645I/650I 220/230V

REF	PART NO	QTY	DESCRIPTION	NOTES	PAGE
1	A450967	1	MOUNTING BRACKET CABLE ENGINE BLOCK		-
2	A450986	1	HEATER ELEMENT 230V/600W ENGINE BLOCK		-
3	A431967	2	HEXAGONAL SERRATED SCREW M6*16 W. FLANG		-
4	A452923	2	HEXAGONAL NUT M6 DIN 6923		-
5	64470	1	CONNECTING LEAD DEFA 460992 BLOCK HEATER		-

220/220

AVANT[®]

Varaosat Spare parts

Manufacturer:

AVANT[®]

AVANT TECNO OY

e-mail: sales@avanttecho.com

Ylötie 1

33470 Ylöjärvi

FINLAND

Tel. +358 3 347 8800

Fax +358 3 348 5511